

OUT OF SKODA SCOPE

LIST OF EMBEDDED PARTS:
- ONLY ELEMENTS DESIGNED BY SKODA

- 01 MEASURING POINTS - 22 Pcs
THE THREAD IN THE NUT SHALL BE PROTECTED FROM CONCRETE
- 02 SCOPE OF SKODA
- 03 NOT USED
- 04 NOT USED
- 05 SCOPE OF SKODA
- 06 ANCHORING PLATE 300/300x20 - 27 Pcs
- 07 SCOPE OF SKODA
- 08 HEB 200-1200 TOP FOR LEVELING STG PEDESTAL - 4 Pcs
/AFTER POSITION OF TURBOSET FLAME CUT HEB PROFILE /
- 09 HEB 200-1200 FOR LEVELING STG PEDESTALS - 14 Pcs
/AFTER POSITION OF STG PEDESTALS CUT OFF HEB PROFILE IN PLACE OF WELDS/
- 10 NOT USED
- 11 NOT USED
- 12 SCOPE OF SKODA
- 13 SCOPE OF SKODA
- 14 ANGLE 60x6 4.8m
- 15 SCOPE OF SKODA
- 16 SCOPE OF SKODA
- E1 PLASTIC PIPE Ø100 FOR ELECTRIC CABLES, - 1 Pcs

KEY PLAN

NOTES & LEGENDS

FOR ENGINEERING

STEEL S235 JR (OR EQUIVALENT)
ANCHORING REBARS B500-B (OR EQUIVALENT)

- BASIC PAINTING ONLY ON VISIBLE SURFACE (CONDITION AT MACHINERY HALL - C4)
FINAL PAINTING AFTER FINISHING ALL WORKS ON SITE
FOR EXACT SPECIFICATION SEE DOCUMENT SLLH2-10-MA-MLS-7001

REFERENCE DRAWINGS

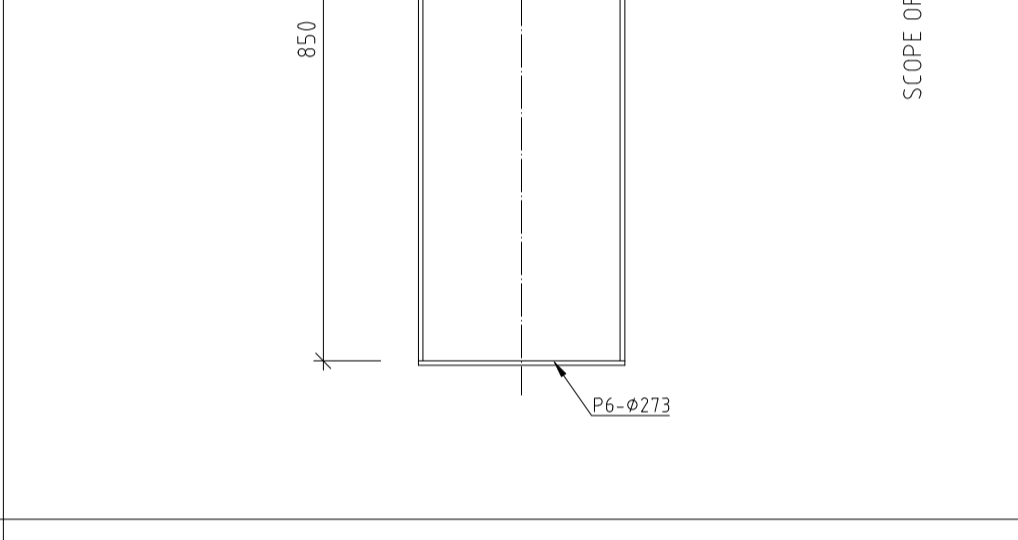
| | | |
|------------------------------------|-----------|----------------------|
| STG Foundation - Shape | P16011355 | SLLH2-10-MA-CLS-1001 |
| STG Foundation - Embedded Elements | P16011340 | SLLH2-10-MA-CLS-1002 |
| STG FOUNDATION - DESIGN CRITERIA | Pr6008333 | SLLH2-10-MA-CLS-1003 |
| ANTINOISE PROVISIONS | P16011341 | SLLH2-10-MA-CLS-1004 |
| PAINTING SYSTEM | Pr6008456 | SLLH2-10-MA-MLS-7001 |
| POSITIONING OF STRZZ VALVE | Tp121380 | SLLH2-10-MA-MDW-3017 |

03 NOT USED

04 NOT USED

10 NOT USED

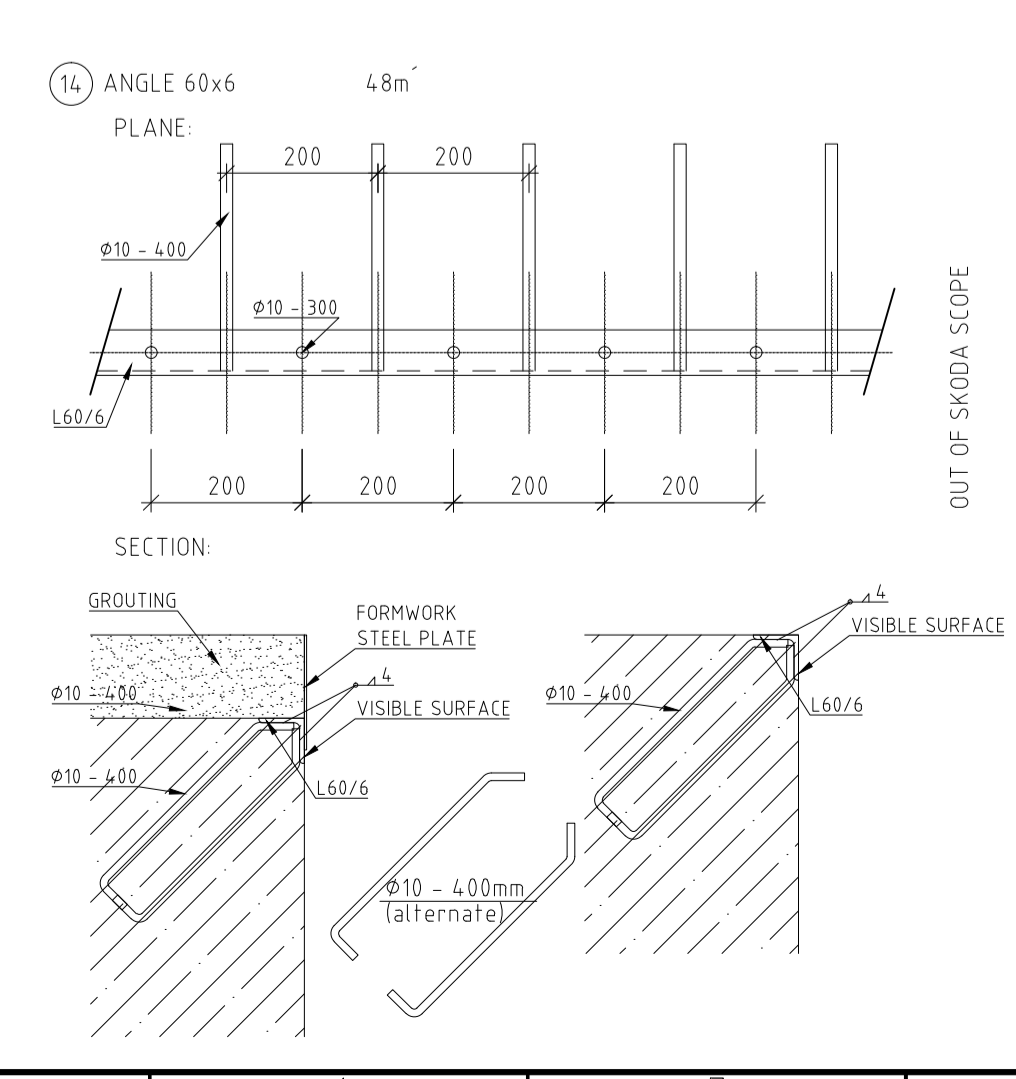
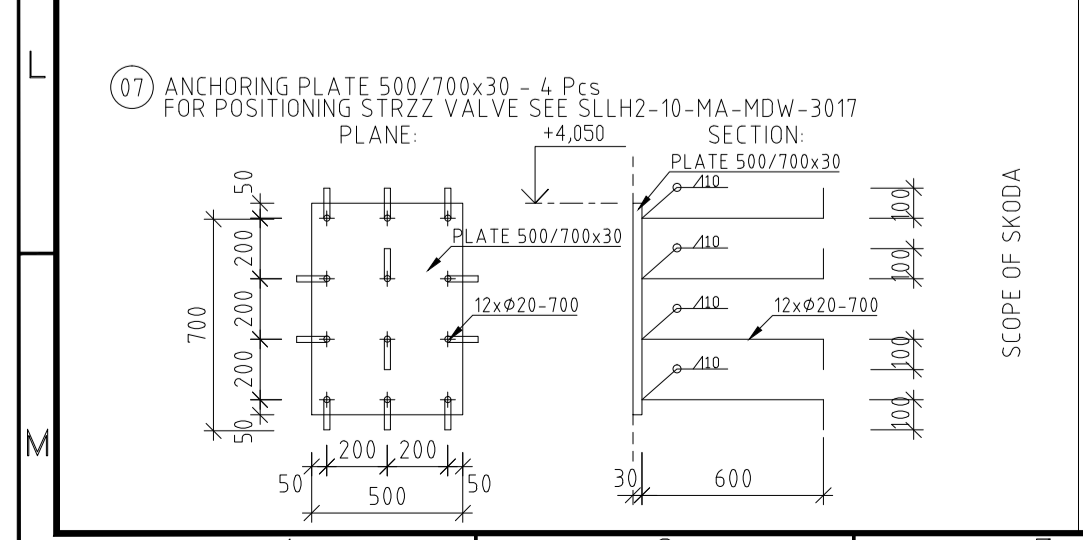
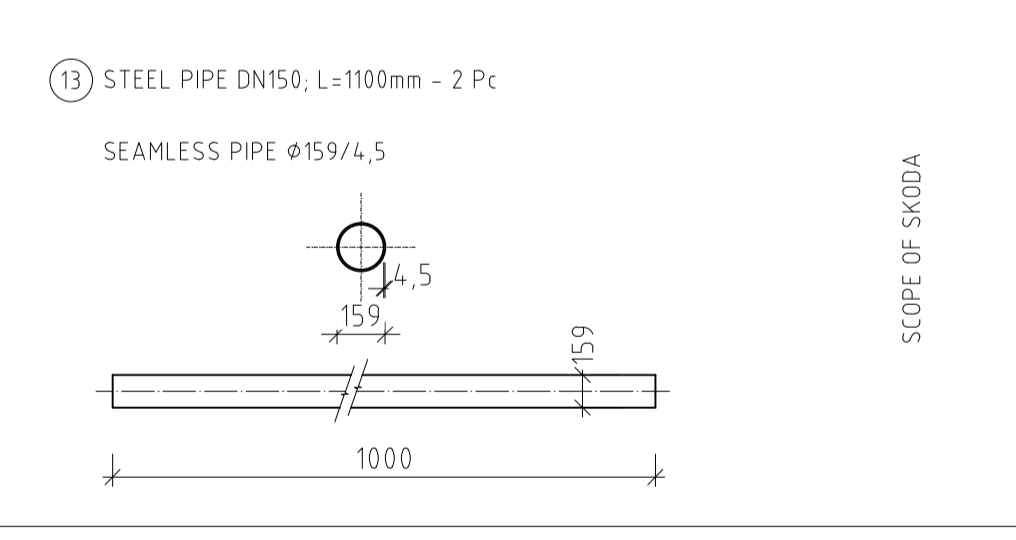
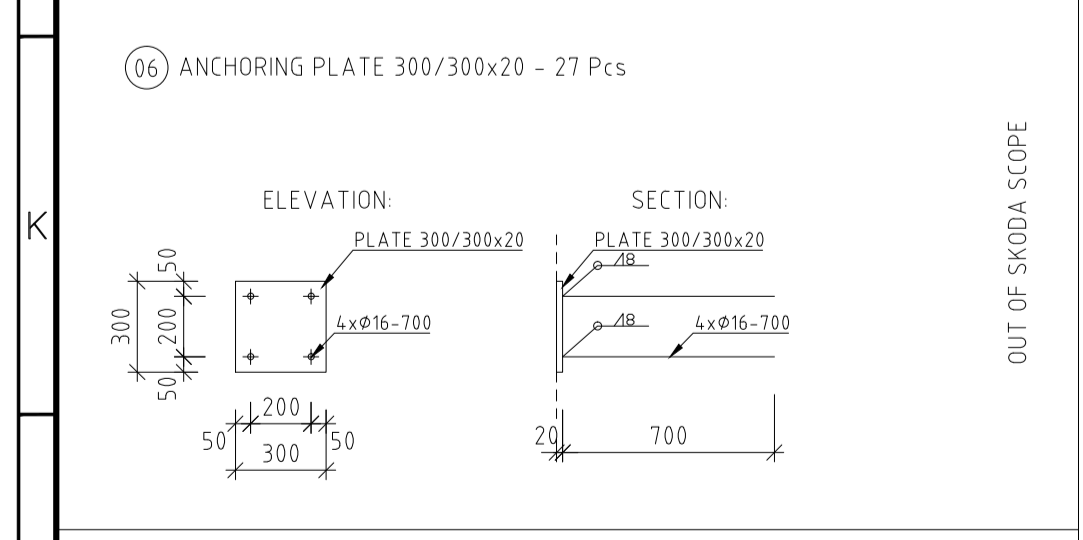
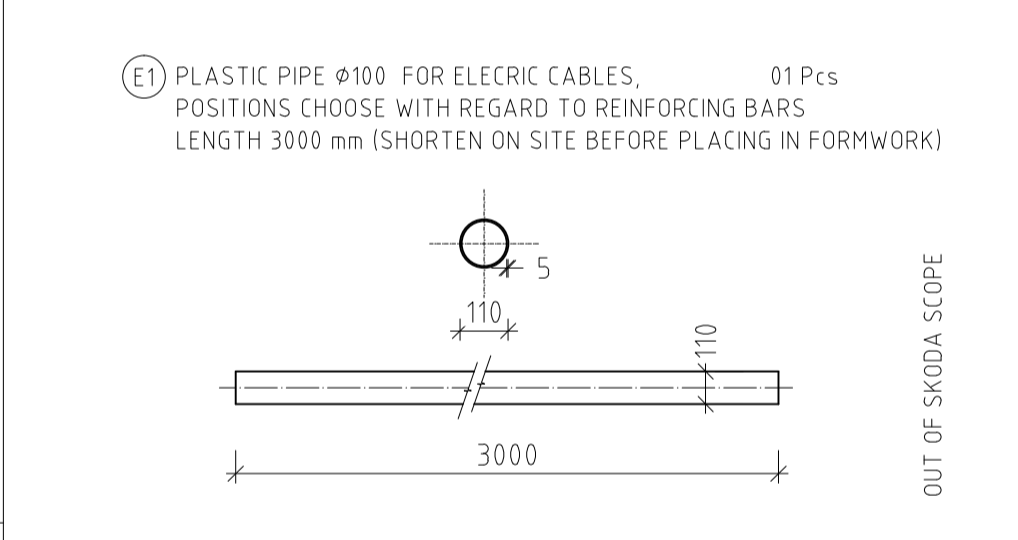
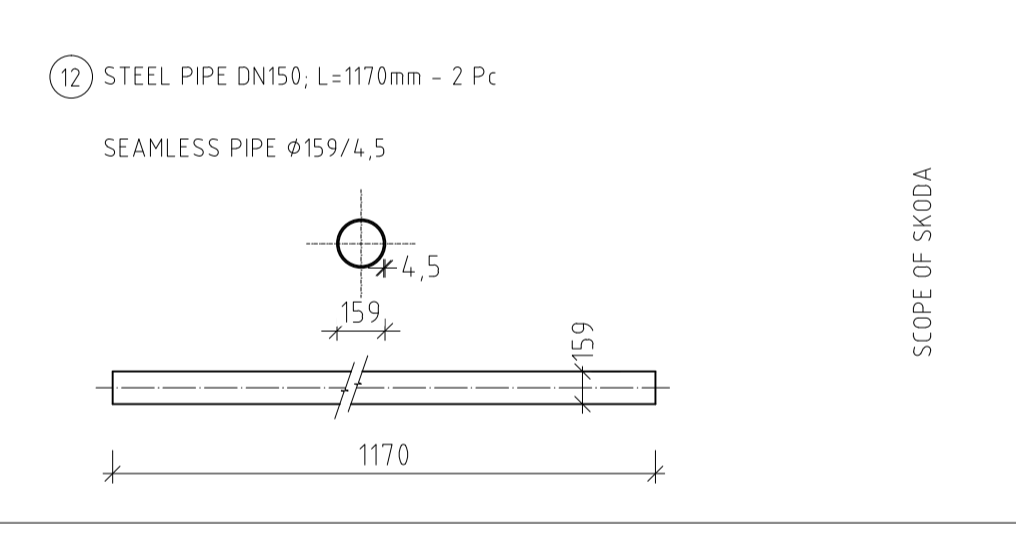
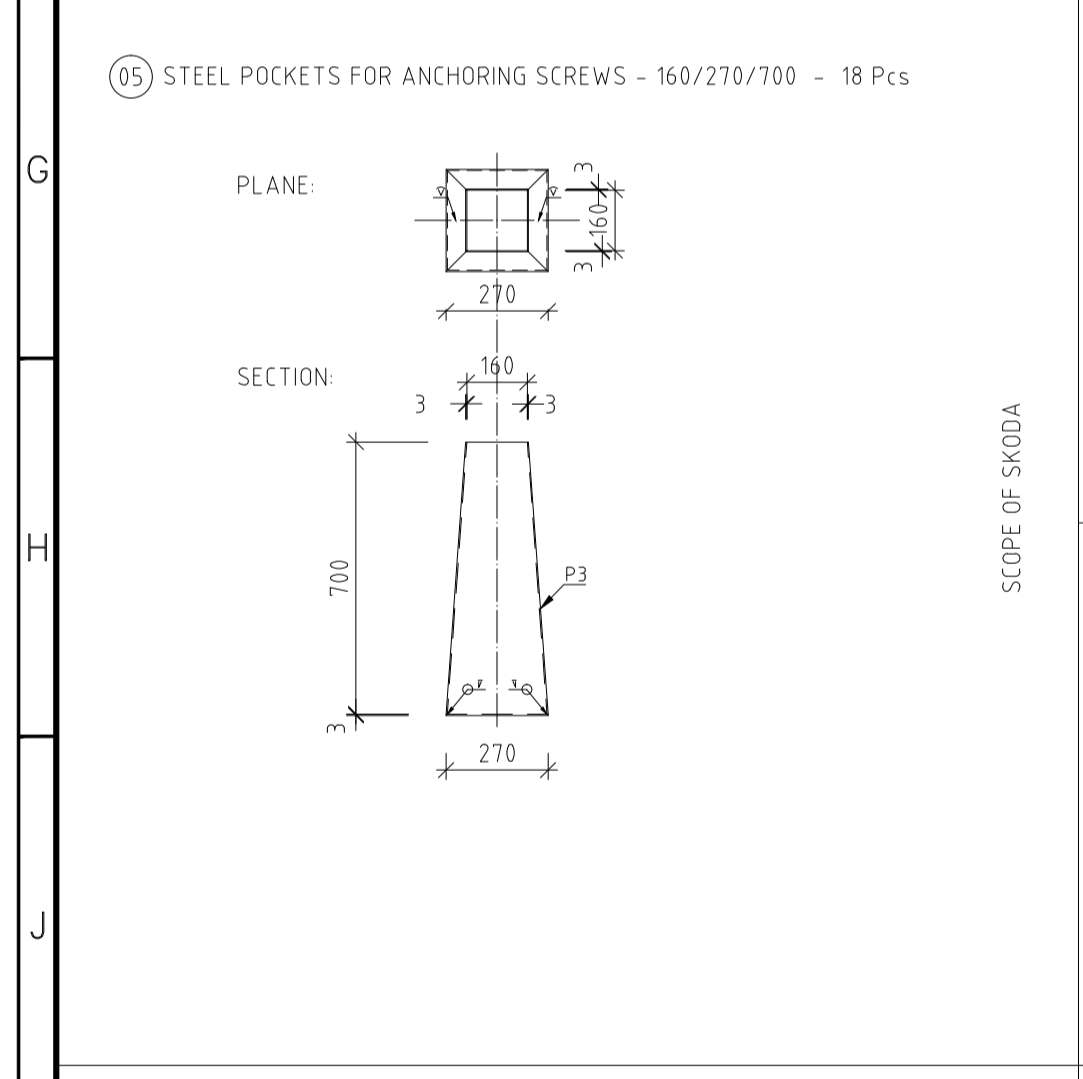
11 NOT USED



SCOPE OF SKODA

LIST OF EMBEDDED PARTS:
- ONLY ELEMENTS DESIGNED BY SKODA

- 01 OUT OF SKODA SCOPE
- 02 STEEL PIPE DN100, L=1060mm - 12 Pcs
- 03 NOT USED
- 04 NOT USED
- 05 STEEL POCKETS FOR ANCHORING SCREWS - 160/270/700 - 18 Pcs
- 06 OUT OF SKODA SCOPE
- 07 ANCHORING PLATE 500/700x30 - 4 Pcs
- 08 OUT OF SKODA SCOPE
- 09 OUT OF SKODA SCOPE
- 10 NOT USED
- 11 NOT USED
- 12 STEEL PIPE DN150, L=1170mm - 2 Pcs
- 13 STEEL PIPE DN150, L=1100mm - 2 Pcs
- 14 OUT OF SKODA SCOPE
- 15 RECTANGULAR STEEL PIPE 250/150/6; L=800mm - 1 Pcs
- 16 STEEL PIPE 273/6.5; L=850mm - 1 Pcs
- E1 OUT OF SKODA SCOPE



OWNER/OWNER ENGINEER'S STAMP

EPC CONTRACTOR'S STAMP

SIGNATURE

OWNER:

OWNER'S ENGINEER:

EPC CONTRACTOR:

DESIGNER:

PROJECT:

SALALAH II IPP

| | | | | | | | |
|------|-------|------|----------|--------------|----------|---------|----------|
| SIZE | SCALE | REV. | DATE | DESCRIPTION | DESIGNED | CHECKED | APPROVED |
| A1 | 1:25 | | 23.10.15 | FOR APPROVAL | SLEHOFER | JIRAK | CHIAK |

DRAWING NUMBER: SLLH2-10-MA-CLS-1002

SHEET: 1 OF 1

DRAWING NAME: STG Foundation - Embedded Elements

DOCUMENT OWNER: DOOSAN SKODA POWER

| | | | | | | | |
|---------------------|------------|------------------|------------|------------|------------|---------------|-----------------|
| SEE REVISION CLOUDS | 08.01.2016 | SLEHOFER,PREMYSL | | | | | ib |
| SEE REVISION CLOUDS | 02.12.2015 | SLEHOFER,PREMYSL | 02.12.2015 | JIRAK,PETR | 07.12.2015 | CHIAK,JAROMIR | 08.12.2015 |
| | | | | | | | VACOVSKY,RUDOLF |

MPI/ko/Scale: 1:25

Název dokumentu/Document title: Salalah 2 IPP

Základ TG - výkres zabudovaných prvků
STG Foundation - Embedded Elements

| | | | | | | |
|----------------|--------------------|------------|---------------|-------------|-------------|-----------------|
| P100188 | For Engineering | CO2 | 19.10.2015 | 22.10.2015 | 22.10.2015 | 23.10.2015 |
| Číslo projektu | Stupeň dokumentace | Skup. dok. | Vypracoval | Kontroloval | Schválil | VACOVSKY,RUDOLF |
| Project No. | Design Stage | Doc. Group | Elaborated by | Checked by | Approved by | Chief Engineer |

Elektronický soubor / Electronic file: P16011340_1_b_0.dwg

Č. dokumentu projektu / Project Doc. No.: SLLH2-10-MA-CLS-1002

Č. dokumentu autora / Originator Doc. No.: P16011340

Č. balíku SPWR-Archivní / Archive package No.: x

Rev. C

Rev. b

POUZE PRO INFORMACI ONLY FOR INFORMATION