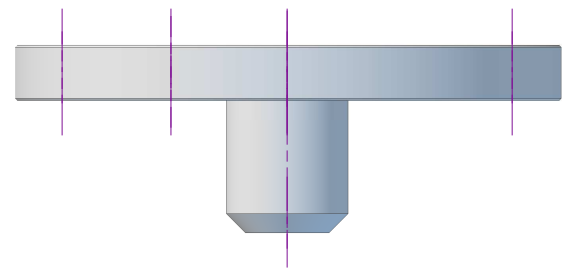
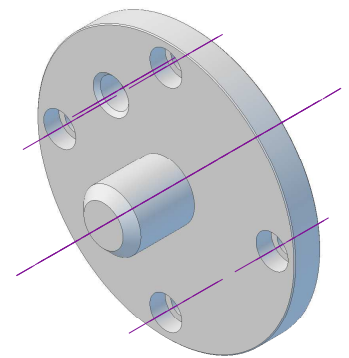
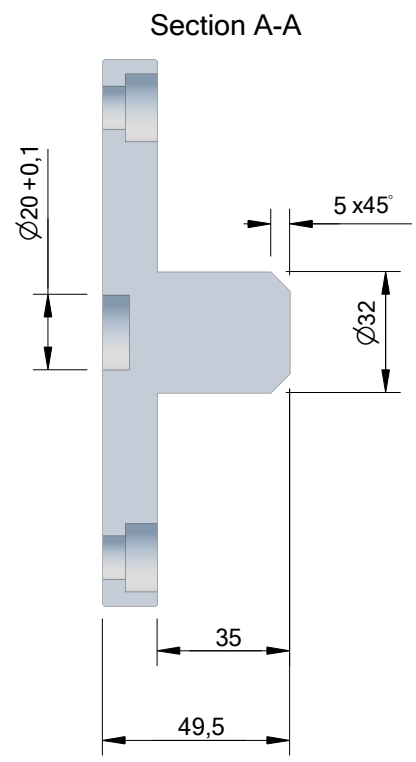
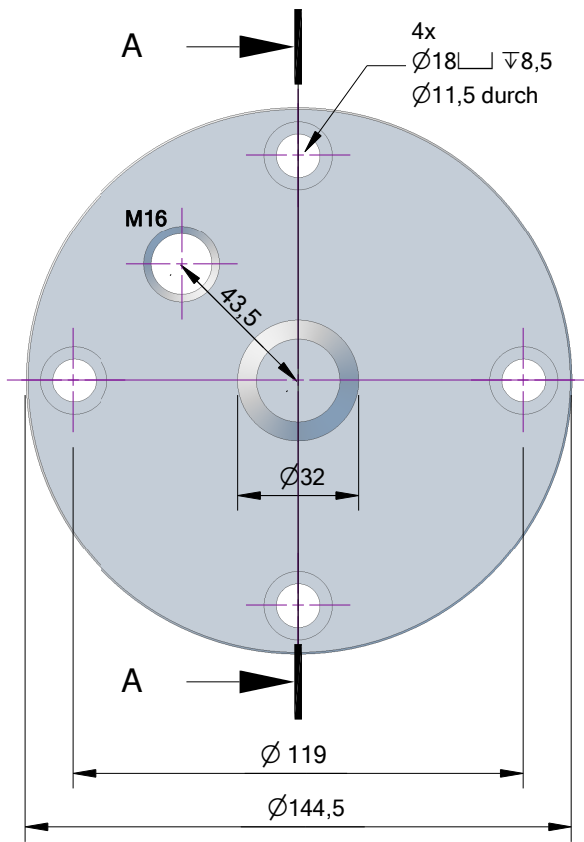



1 2 3 4 5 6

A
B
C
D



		Roffelsen PLASTICS			
		Priruba		12 050	
Treatment		Date	Quantity	Scale	
-----		30.10.2020	1x	1:2	

1 2 3 4 5 6