

1 2 3 4 5 6

A

B

C

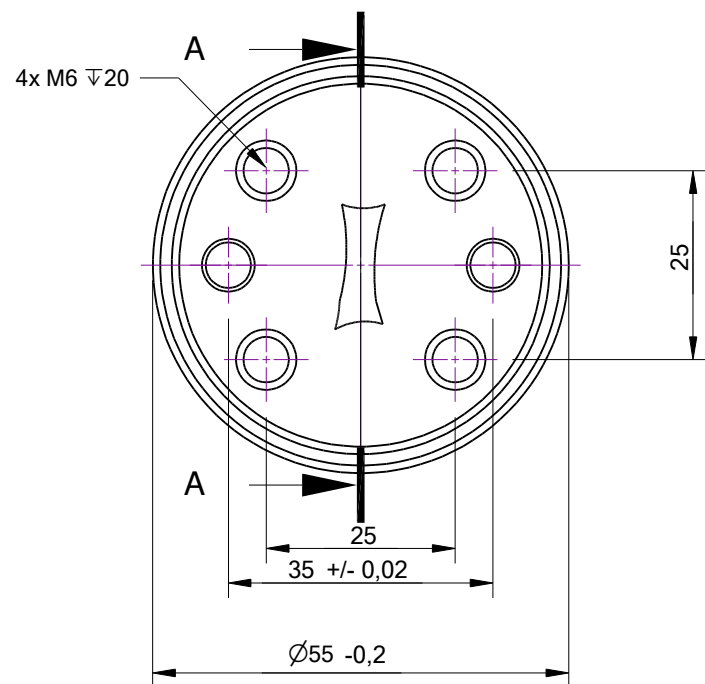
D

A

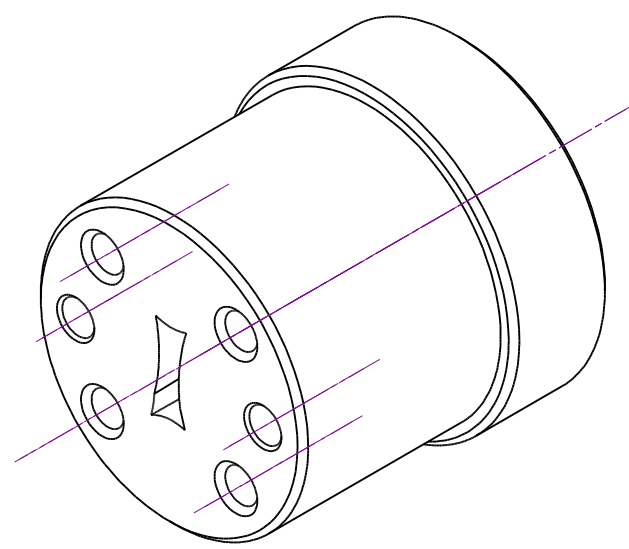
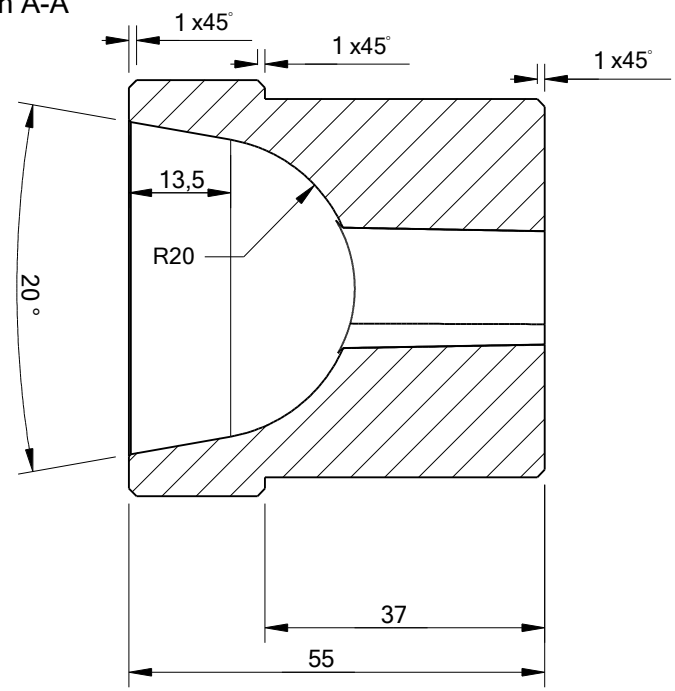
B

C

D



Section A-A



		Roffelsen PLASTICS	
Name Základ V2 S2019092		Material 1.4301	
Treatment -----	Date 23.09.2019	Quantity 1x	Scale 1:1

1 2 3 4 5 6