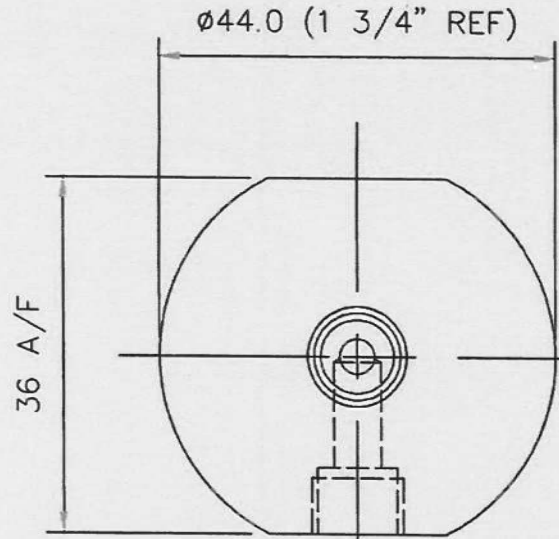
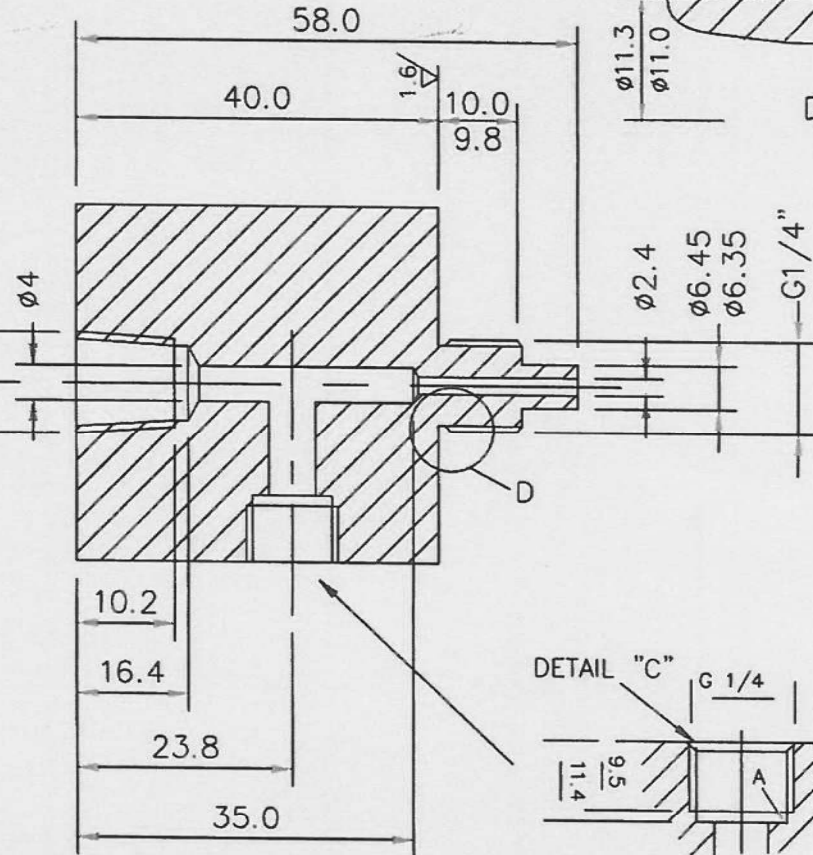


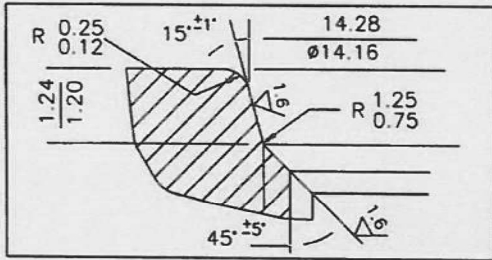
DO NOT SCALE



1/4" NPT

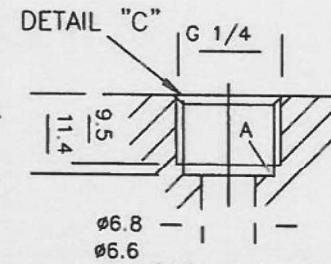


DETAIL D



DETAIL 'C'

3.2/ UNLESS OTHERWISE STATED



GAS VALVE TAPPING

				REMOVE ALL BURRS AND SHARP EDGES		LOCATION G:\CHG.01\NB300013 USED ON		TITLE INFLATOR BODY		DRN RFC	
				TOLERANCES UNLESS OTHERWISE STATED		SCALE 1:1 DIMENSIONS IN MM		A4		CHKD RB	
								DRG. NO. 28043-***		DATE 04/05/12	
										CERT	
A1 RFC RB 04.05.12 DRAWN										SHT 1 of	
REV	DRN	CHKD	DATE	MOD							