

1

2

3

4

5

6

A

A

B

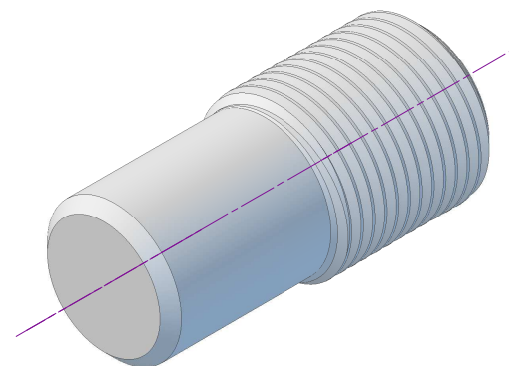
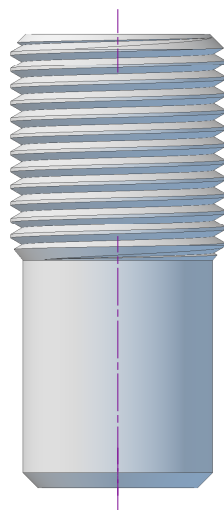
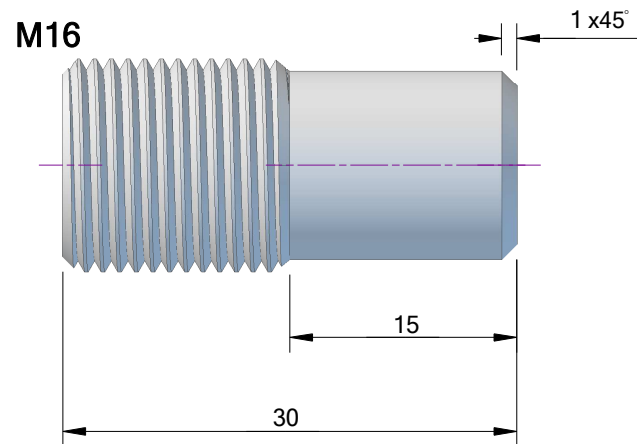
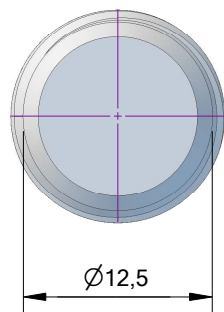
B


C

C

D

D



		Roffelsen PLASTICS			
Name		Čap		Material	
				12 050	
Treatment		Date		Quantity	Scale
-----		30.10.2020		1x	2:1

1

2

3

6

6