

1 2 3 4 5 6

A

B

C

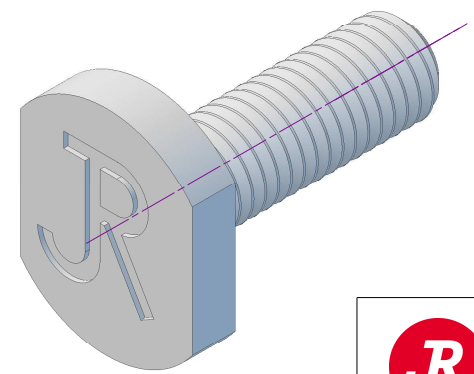
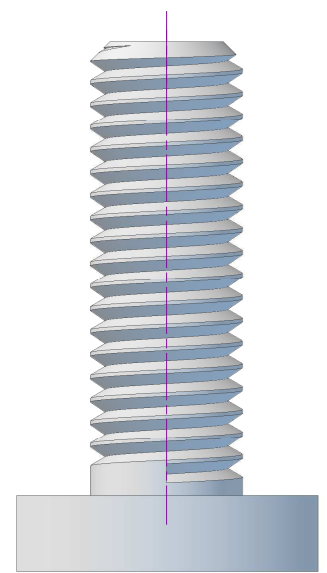
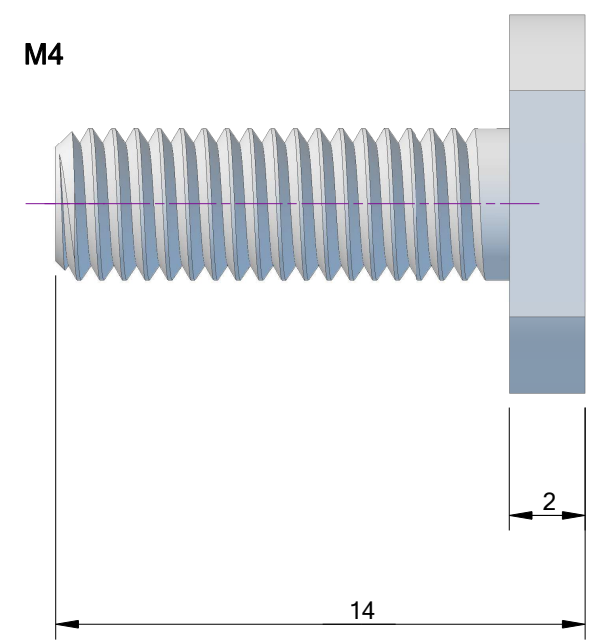
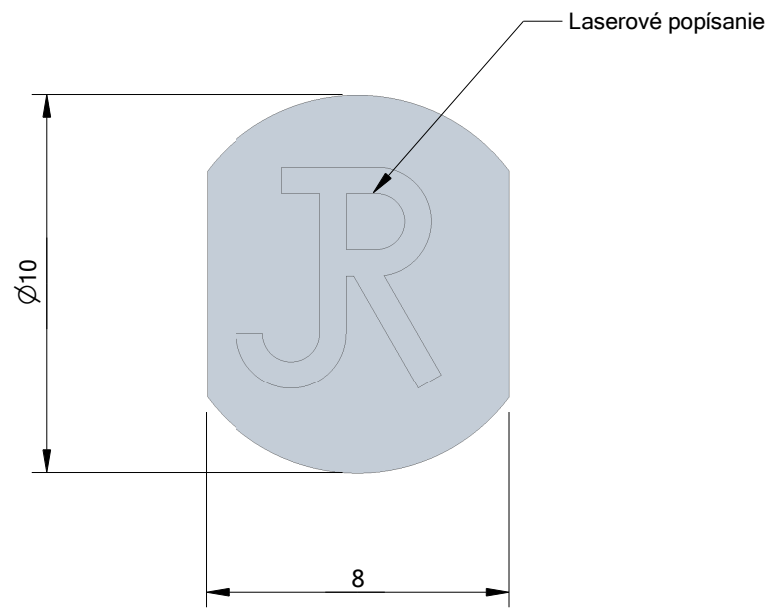
D


A

B

C

D



|   |  |                              |                           |                        |                     |
|---|--|------------------------------|---------------------------|------------------------|---------------------|
|  |  | <b>Roffelsen</b><br>PLASTICS |                           |                        |                     |
| <i>Name</i><br>JR skrutka   |  |                              | <i>Material</i><br>1.4301 |                        |                     |
| <i>Treatment</i><br>-----   |  | <i>Date</i><br>28.08.2019    |                           | <i>Quantity</i><br>30x | <i>Scale</i><br>5:1 |

1 2 3 4 5 6