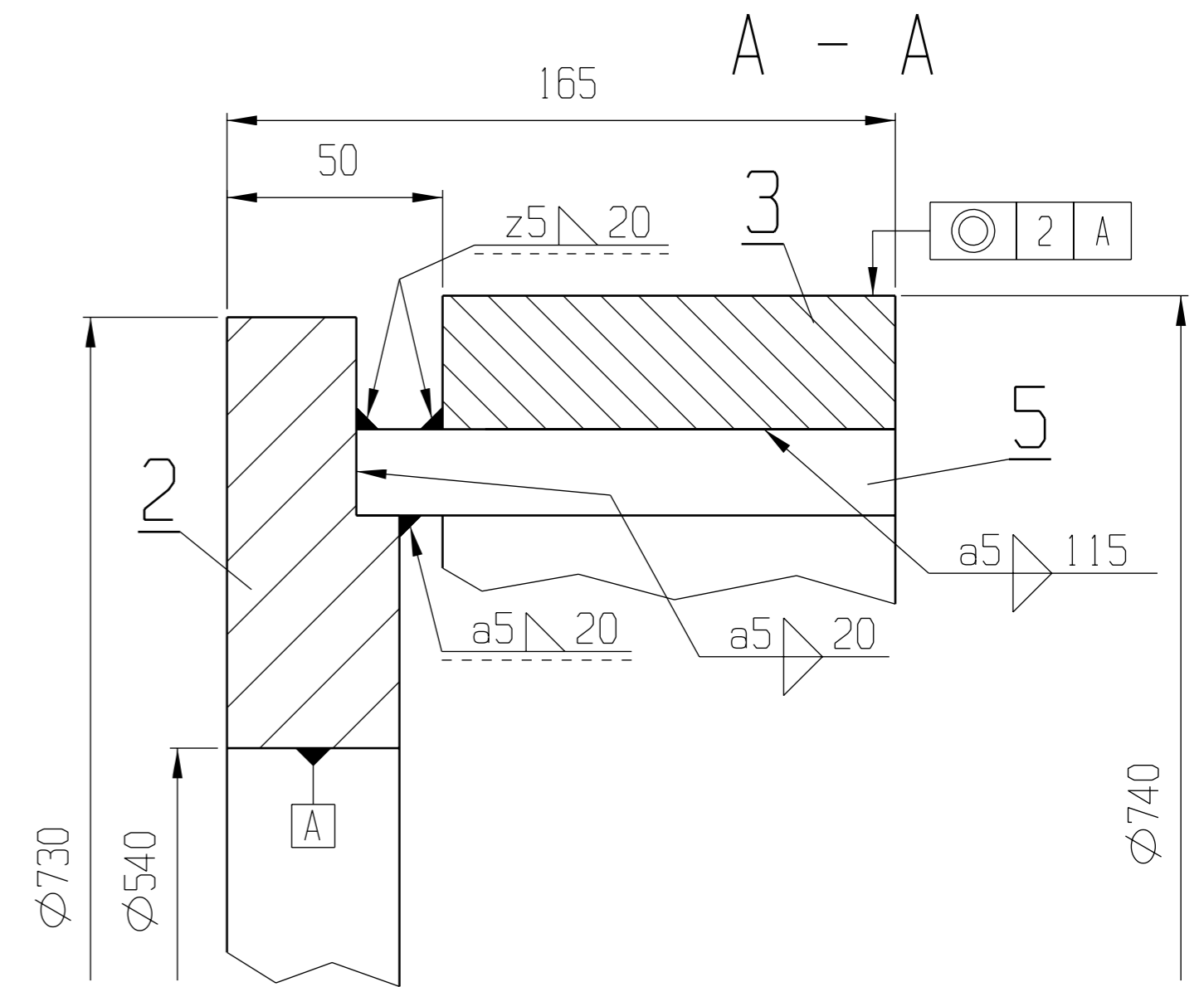
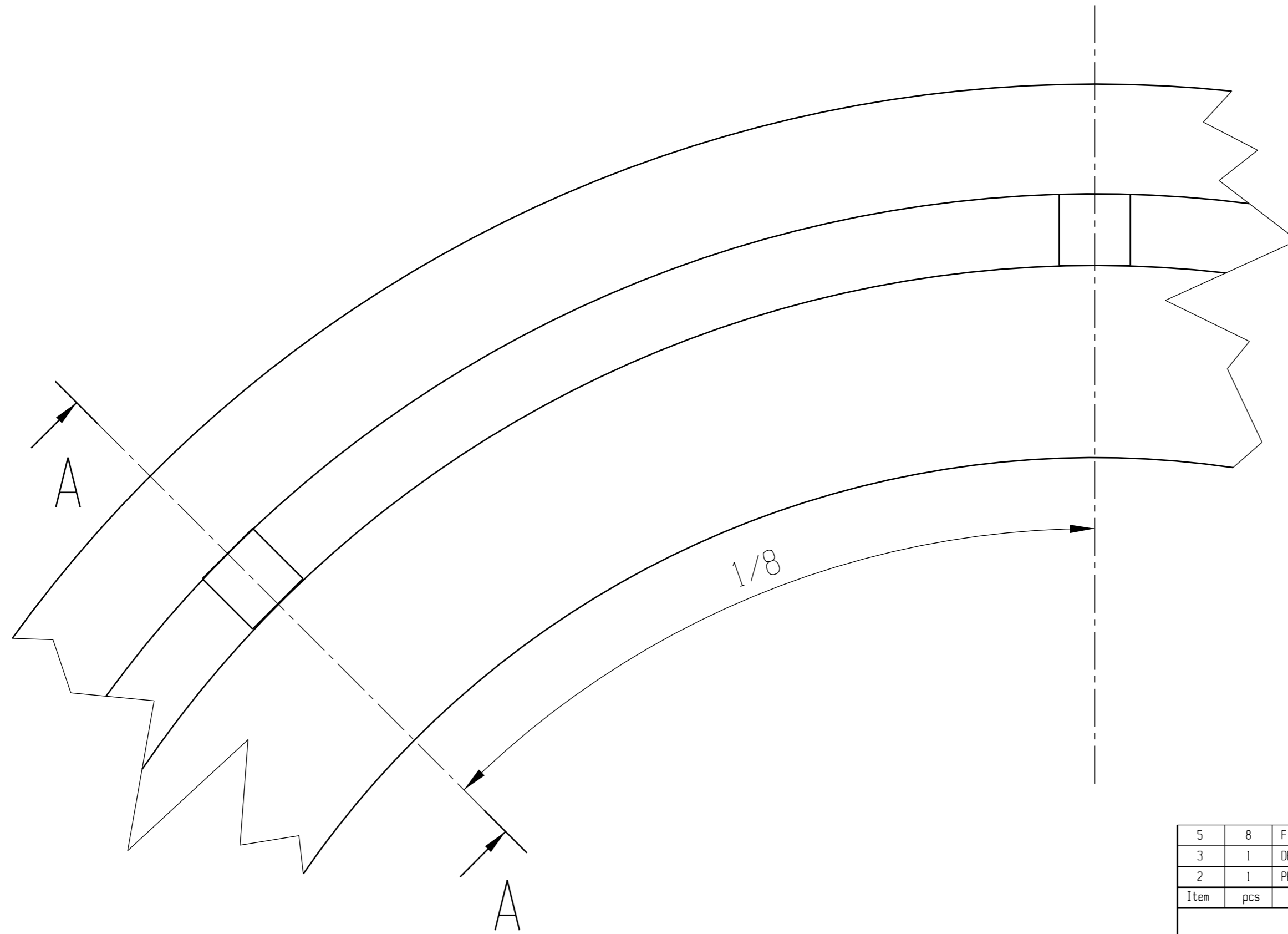


DE



Item	pcs	Name	Drgw Nr/Material code/Standard	Notice	Weight [kg]
5	8	FIXING RIB	AWRCC_0630601-205	SQUARE-STEEL-MHE 20 FE235B	0.39
3	1	DE WINDING SUPPORT RING	AWRCC_0630601-203	TICK SHEET 120x1300x3800 S235J2G3	48.07
2	1	PRESSING DISC	AWRCC_0630601-202	TICK SHEET 40x3000x8000 S235J2G3	55.26

B.O.M.

Rev.	Modification	Date	Sign	Rev.	Modification	Date	Sign

ALL DIMENSIONS ARE IN MILLIMETRES



Notice: . Scale: M=1:2 Weight: [ kg ] .

Name: DE ROTOR PRESSING DISC WELDING

Designers	Date	Drawing number
Designer: JUHASZ GYORGY ZOLTAN	16.11.2010.	AWRCCD_0630601-200
Controller		Rev.
Approval: PART ROBERT	16.11.2010.	

YES <input checked="" type="checkbox"/>	NO <input type="checkbox"/>
---	-----------------------------

BOM	A3
Sheet	1
Page	1