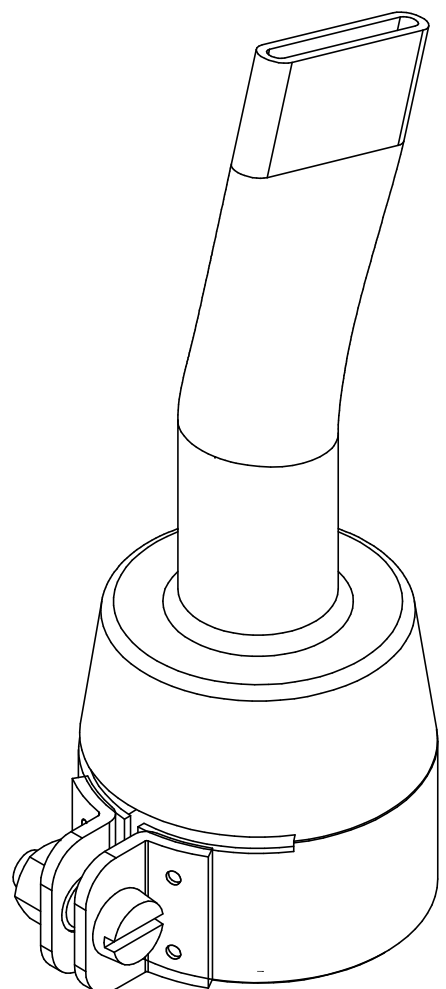
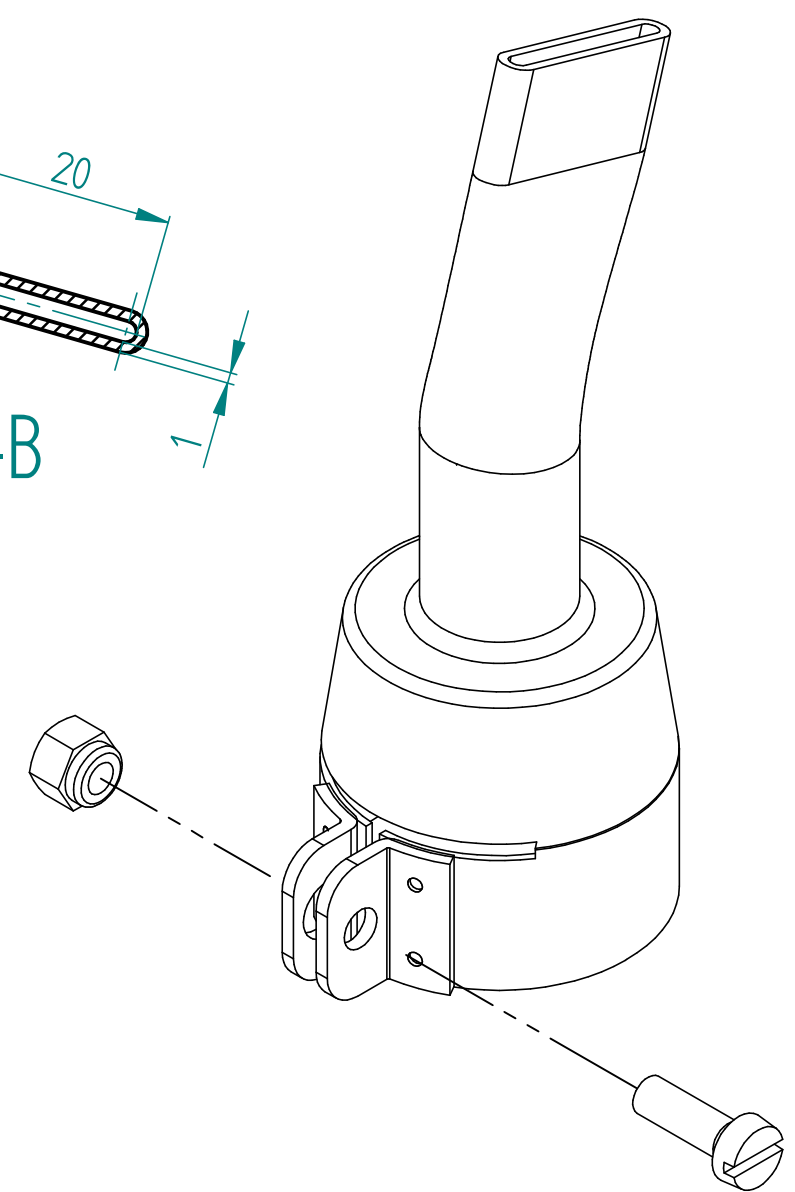
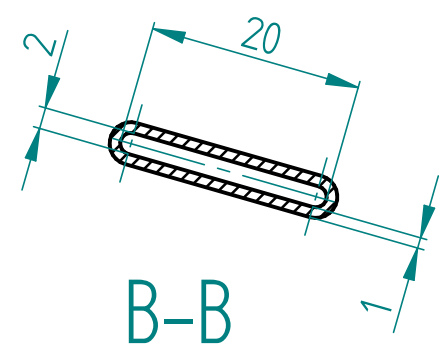
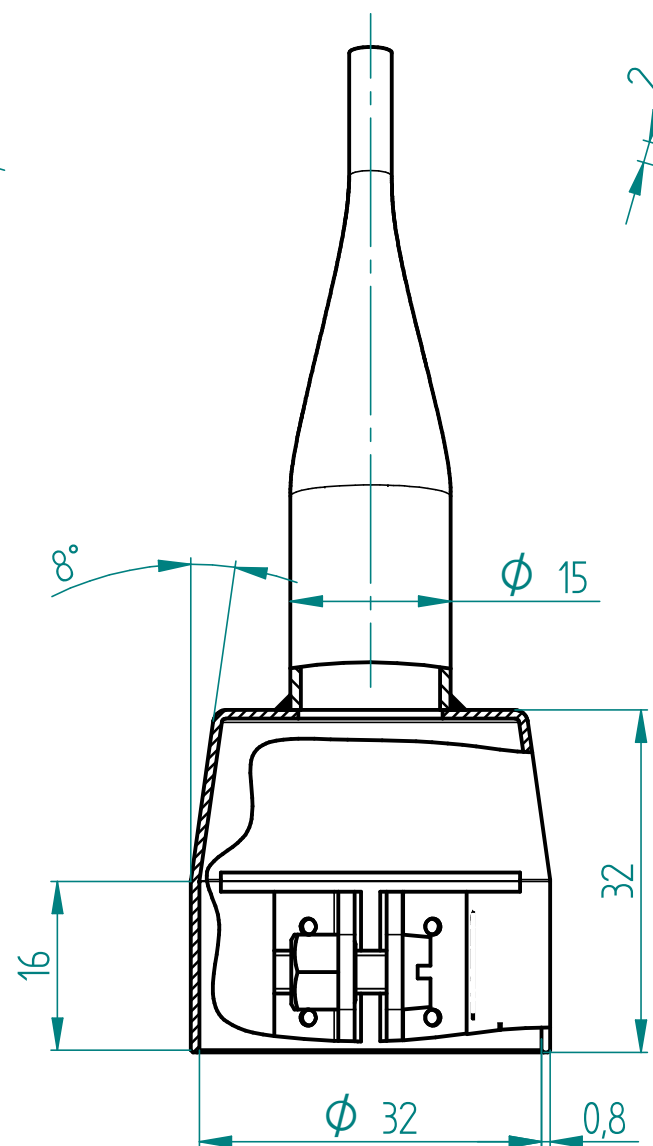
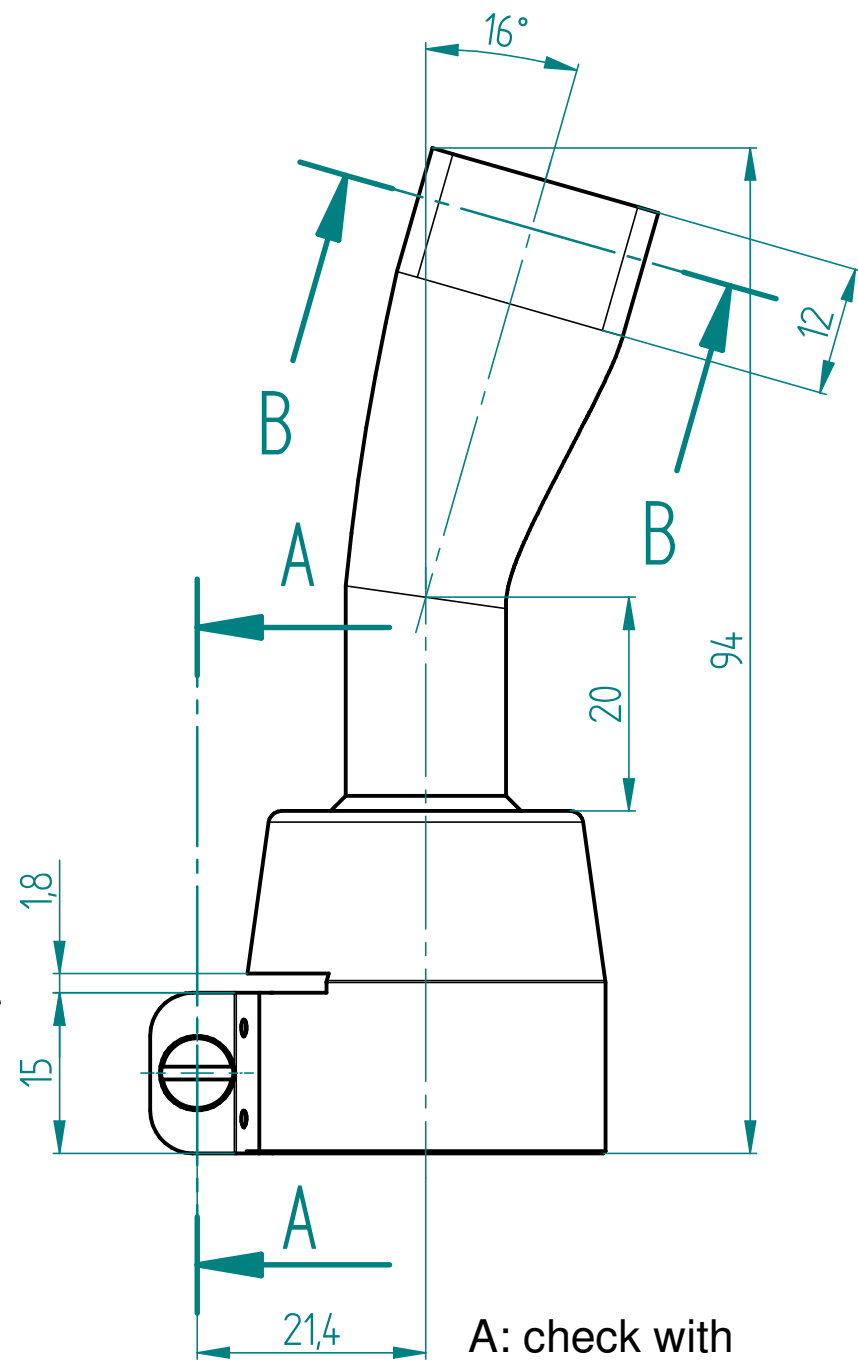


A

B

C



A: check with limit gauge No. **For Information only**  
 General tolerances: ISO 2768mK  
 Dimension check: surrounded dimensions, form and position tolerance  
 Surface finish: sand blasted, free of burrs, sharp edges, scratches or poor workmanship

Material: 1.4301 - X5CrNi18-10				Volume:		
Date	Drawn by	<b>Wide slot nozzle 1</b>			Sheet	
26.09.2011	str				1	
Date	Checked by				of	
10.04.2012	gdm				1	
		Format	Scale		Drawing number	Revision
		A4Q	1:1			

1

2