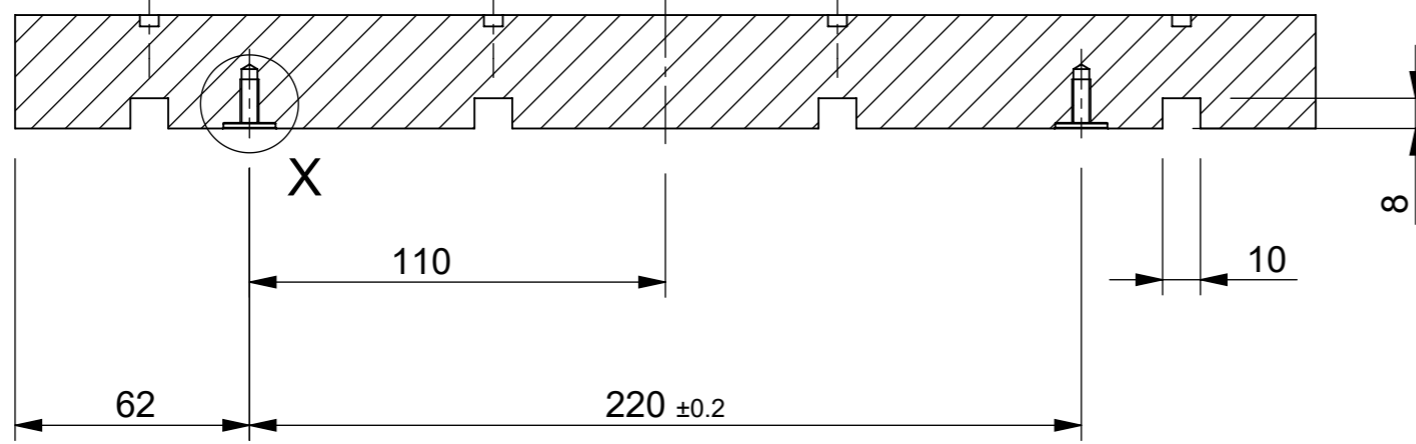
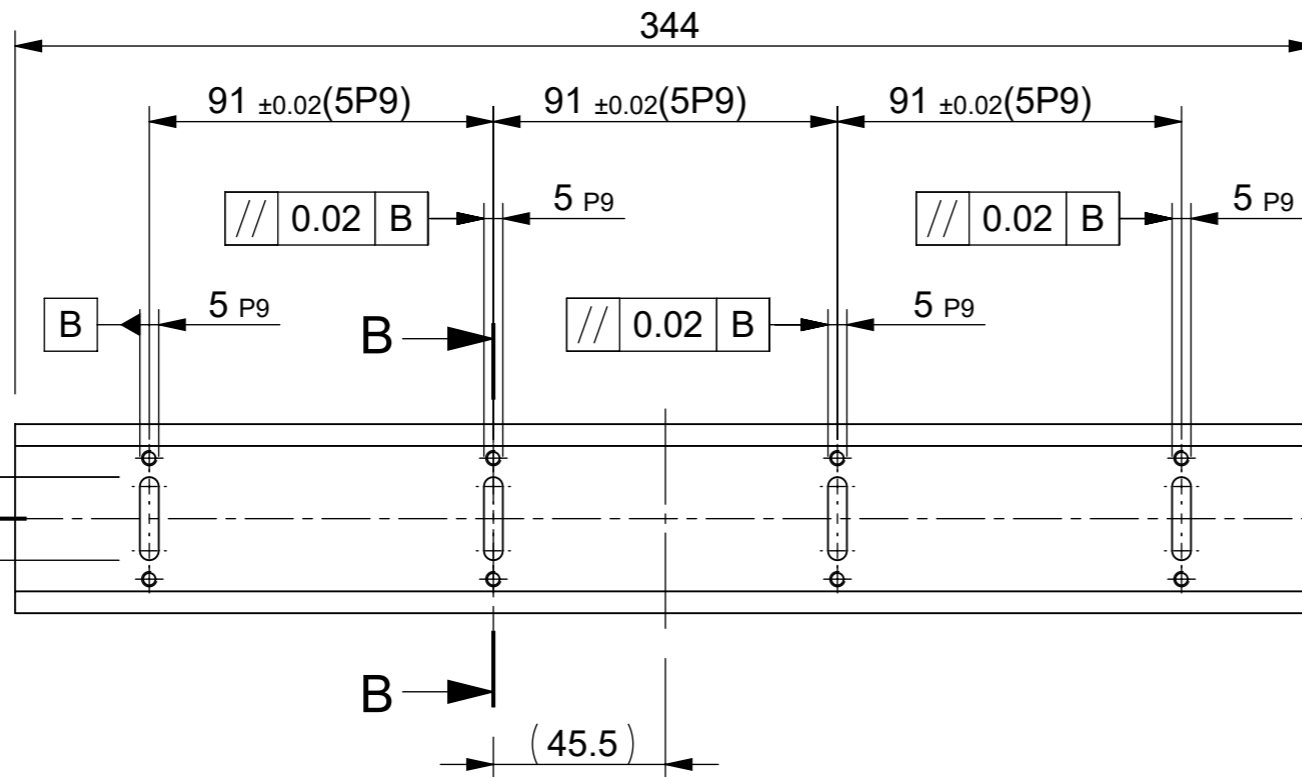
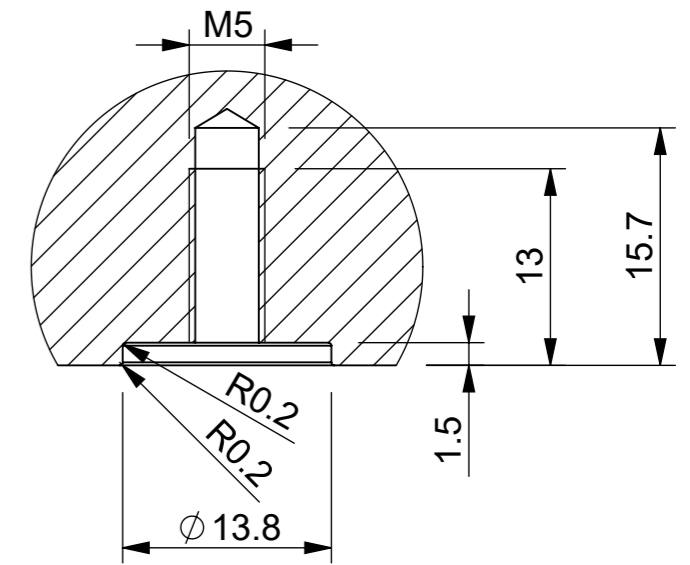


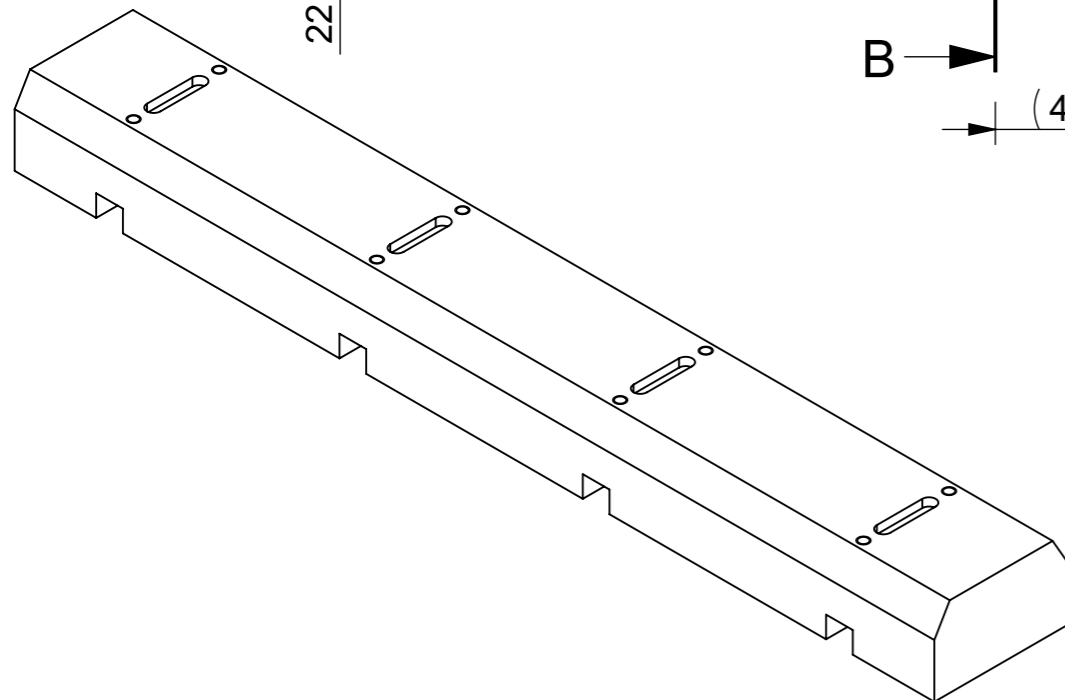
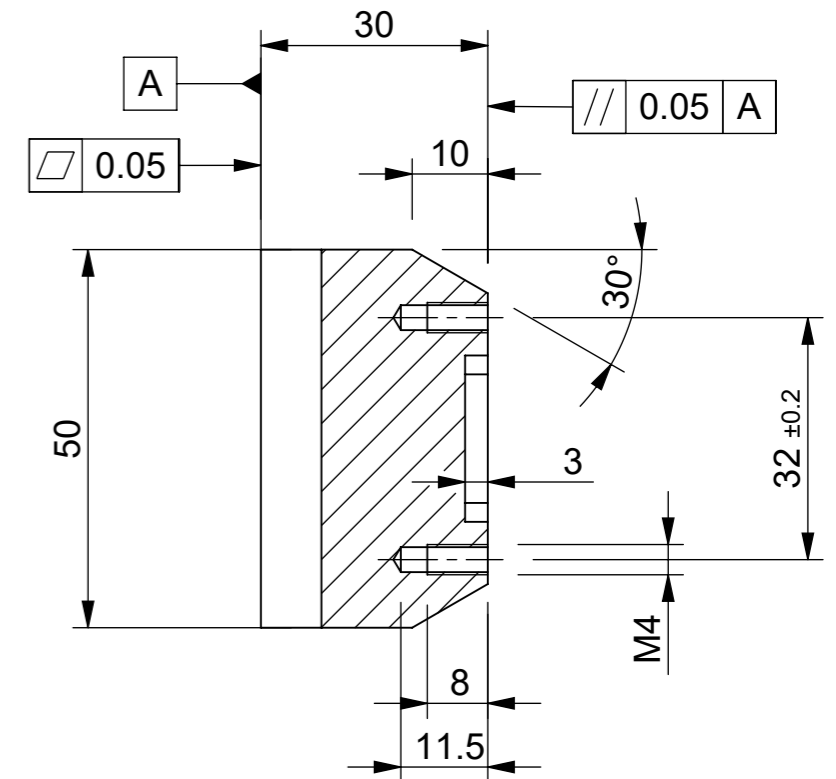
A-A



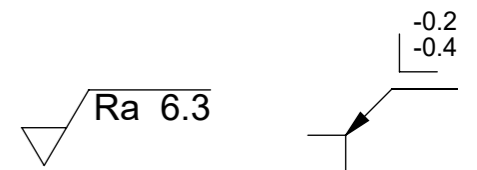
X (2:1)



B-B (1:1)



-Masshaltig schwarz eloxiert
-Dimensional accuracy black anodized



Copyright © by encom GmbH Schutzvermerk ISO 16016 Copying of this document, and giving it to others and the use or communication of the contents thereof, are forbidden without express authority. Offenders are liable to the payment of damages. All rights are reserved in the event of the grant of a patent or the registration of a utility model or design.	Material	Al Mg Si 1	Erstellt	19.01.2017	S.Baumann	Allgemeintoleranzen ISO 2768-mK
	Material-Nr.	3.2315	Geändert	21.08.2017	R.Glanzmann	
	Geprüft		Freigegeben		Blatt 1 / 1	M 1:2
	Benennung / Beschreibung			FREIGEgeben	Zeichnungs-Nr.	Index
Zentrierklotz 4x12				Z022275	00	1288.49 g