

1

2

3

4

H

H

G

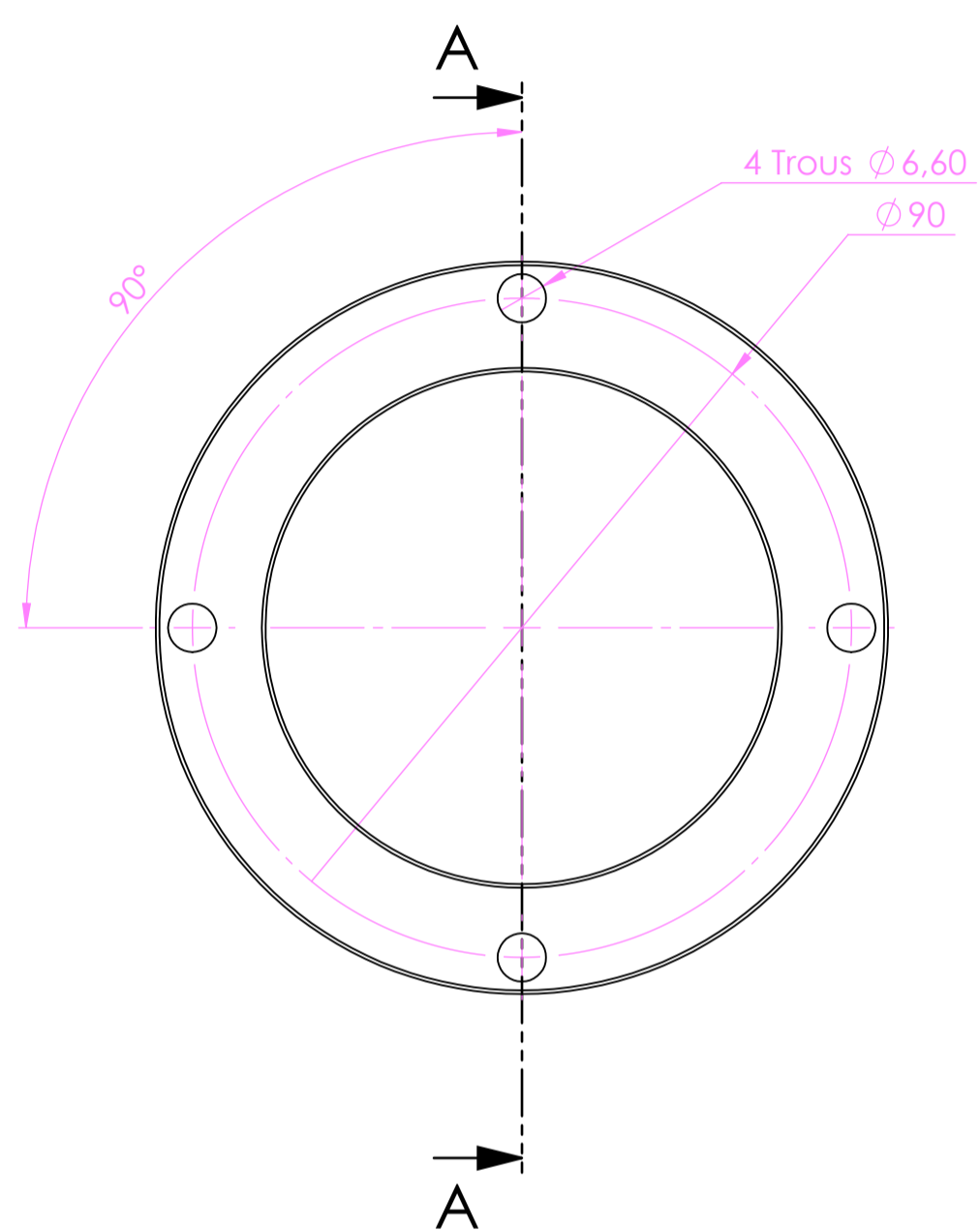
G

B

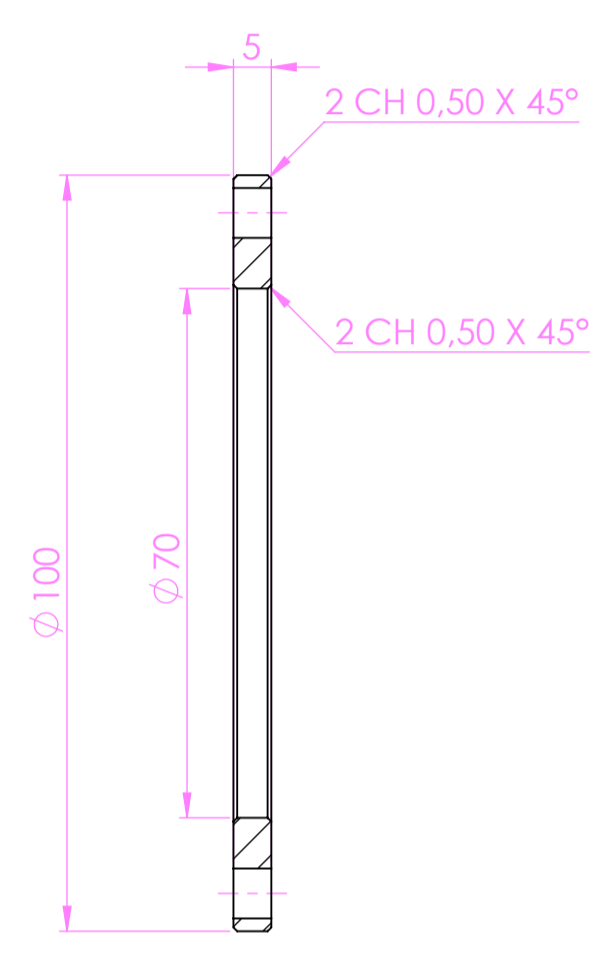
B

A

A



COUPE A-A



MATERIAU/MATERIAL : <b>EN AW-5086 [Al Mg 4]</b>		TRAITEMENT DE SURFACE/SURFACE TREATMENT:	MASSE/WEIGHT: <b>0.0519 Kg</b>
TOLERANCE GENERALE/GEN. TOL. : <b>ISO 2768 mK</b>		ETAT DE SURFACE GENERAL/GEN SURFACE QUALITY:	VOLUME: <b>0.0000m³</b>
<b>F8329</b> 	LIBELLE/TITLE : <b>bride maintientpièce d'isolation</b>		ETABLI/DRAWN: <b>VLE</b>
			APPROUVE/APPROVED: <b>MSA</b>
FORMAT/SIZE/ECH/SCALE : <b>A3 1:1</b>	REF : <b>EL00012153</b>		DATE: <b>19/03/2019</b>
FEUILLE/SHEET: <b>1 of 1</b>			REV: <b>B</b>

1

2

3

4