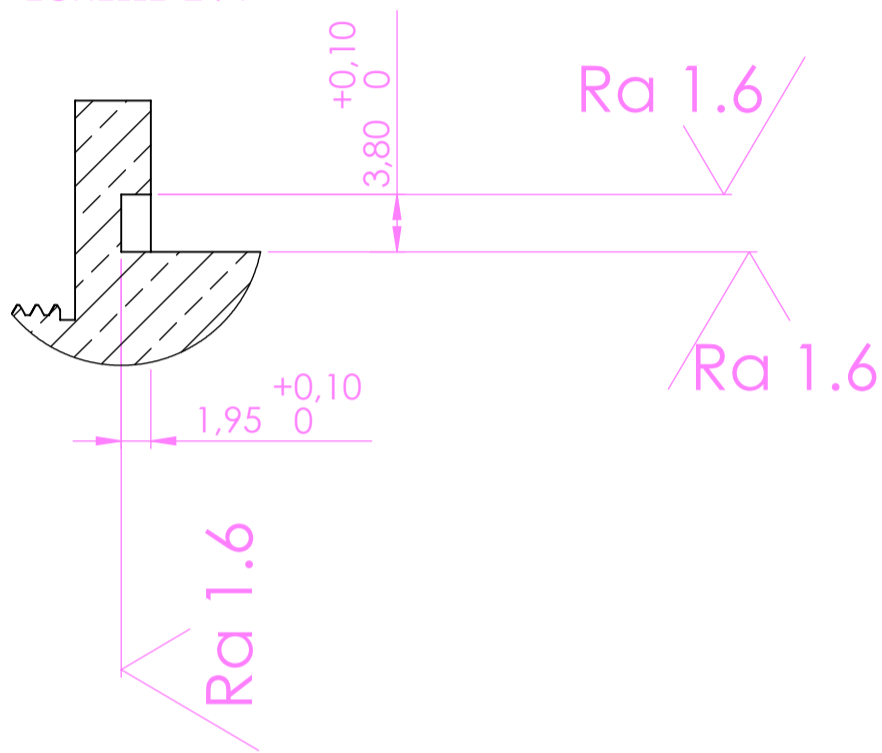
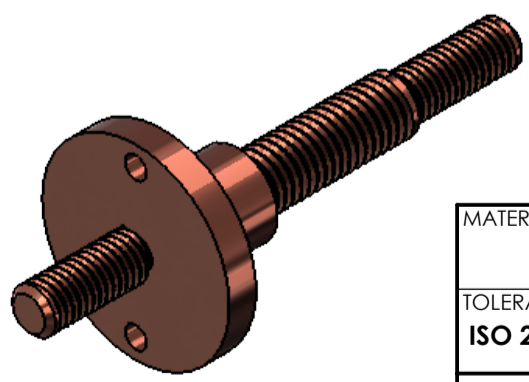
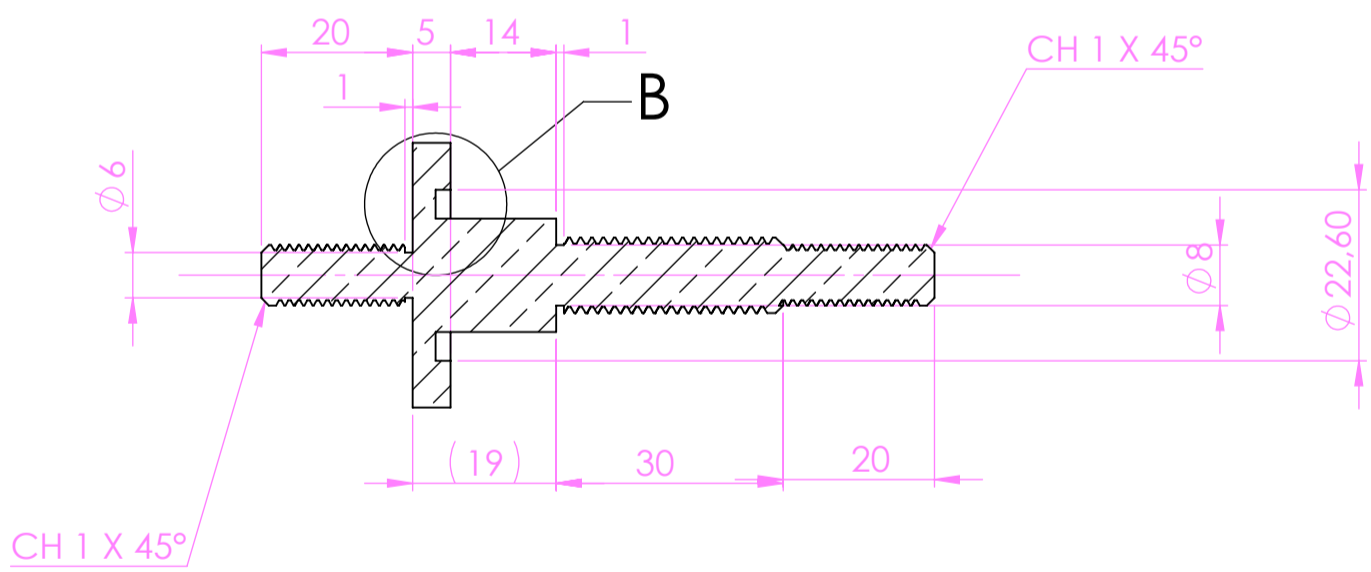


**DÉTAIL B**  
ECHELLE 2:1



**COUPE A-A**



MATERIAU/MATERIAL : <b>CuAl9Ni5Fe3</b>		TRAITEMENT DE SURFACE/SURFACE TREATMENT:	MASSE/WEIGHT: <b>0.0783 Kg</b>
TOLERANCE GENERALE/GEN. TOL. : <b>ISO 2768 mK</b>		ETAT DE SURFACE GENERAL/GEN SURFACE QUALITY:	VOLUME: <b>0.0000m³</b>
<b>F8329</b>	LIBELLE/TITLE : <b>Axe point chaud petite boite d'accord</b>		ETABLI/DRAWN: <b>VLE</b>
			VERIFIE/CHECKED: <b>MSA</b>
	REF : <b>EL00012152</b>		APPROUVE/APPROVED: <b>MSA</b>
FORMAT/SIZE/ECH/SCALE: <b>A3 1:1</b>			DATE: <b>19/03/2019</b>
FEUILLE/SHEET: <b>1 of 1</b>			REV: <b>B</b>