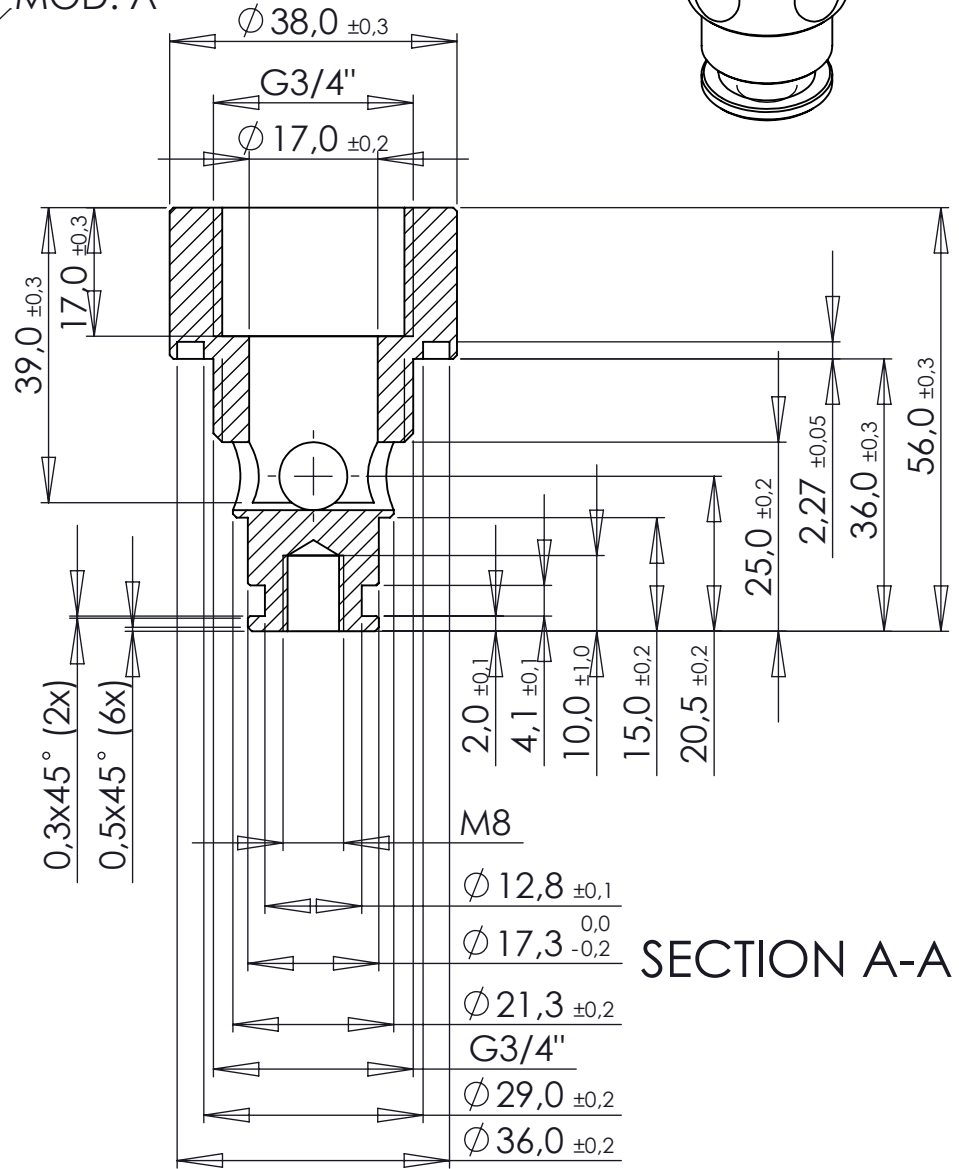


SECTION B-B



SECTION A-A

Modification A:
 - new dimension 30,0
 - new dimensions 4,0 and 12,0

part name	material	tolerances according	modifications
Outlet connector	AISI 303	DIN ISO 2768-1 m	5
		unless otherwise	4
project name	project number	stated	3
Module	109.02	dimension angle	2
client	size	scale	109.02-024A
-	A4	1:1	2011-01-14
		american projection	LK
			drawing
			date
			drawn by
			109.02-024A
			2010-09-15
			LK