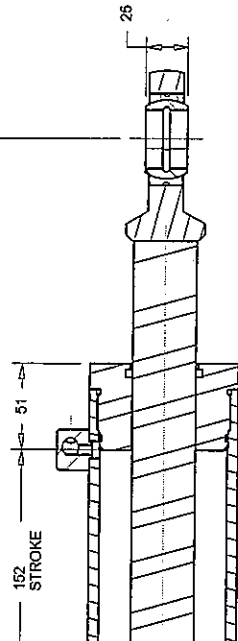
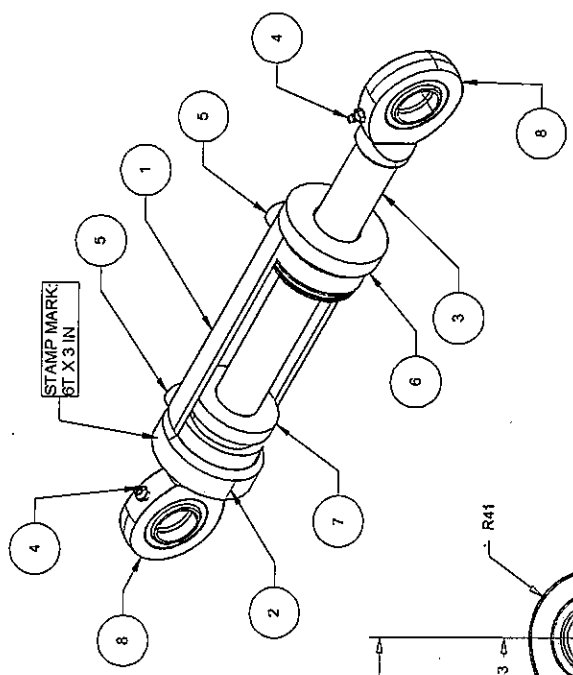
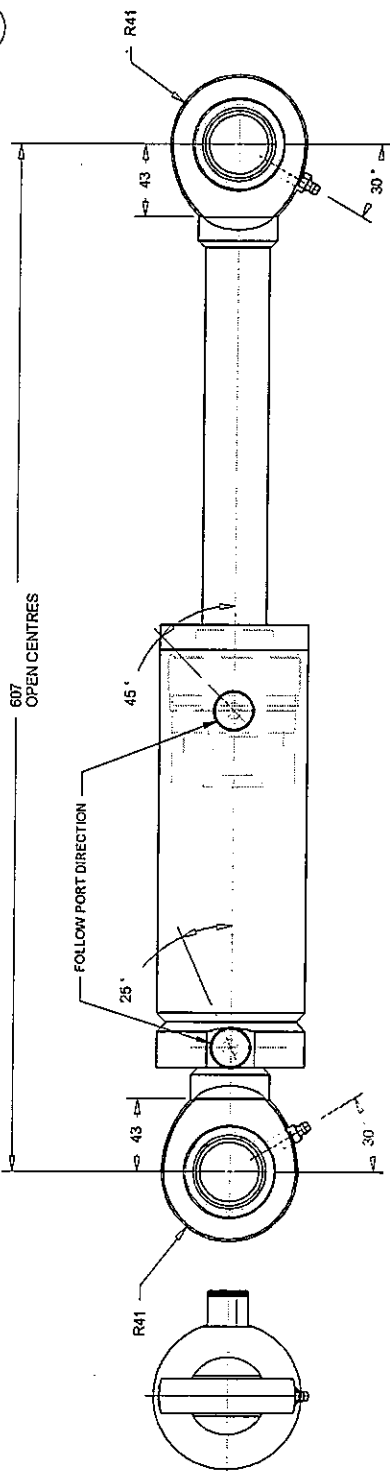
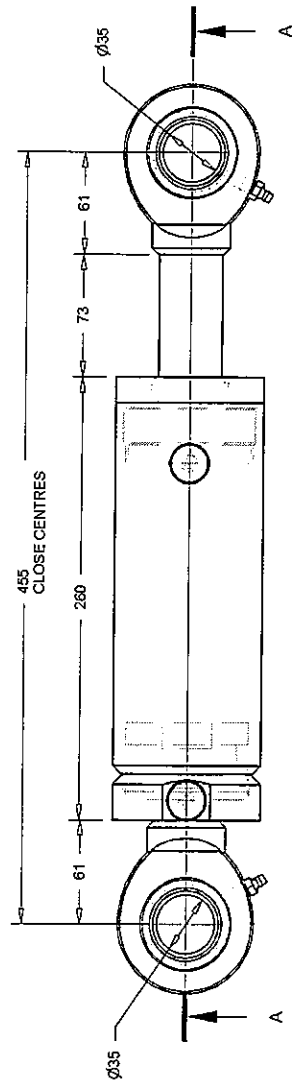


DO NOT SCALE DRAWING

ITEM NO.	PART NO.	DESCRIPTION	REVISION	QUANTITY	MASS (kg)
1	A2-500001_125	CYL TUBE 3" BORE X 3.5" OD	REV1	1	2.741
2	A2-500001_126	CYL BASE 3" X 3.5"	REV1	1	0.730
3	A2-500001_127	CYL ROD DIA 1.5"	REV2	1	2.601
4	A2-500001_128	GREASE NIPPLE	REV1	2	0.009
5	A2-500001_130	E4-POR 1/4" BSPP	REV1	2	0.058
6	A2-500001_131	CYL HEAD 3" X 1.5"	REV1	1	1.596
7	A2-500001_132	CYL PISTON 3"	REV1	1	1.105
8	SK33SES	ROD END DIA 35	REV1	2	0.958



Section A-A



STAMP MARK
6T X 3 IN

Kadlec s.r.o.
 Vesec 42, Mírová pod Kozákovem
 511 01 Turnov
 Tel.: +420481363030, fax: +420481363047
 IČ: 49287257 DIČ: CZ49287257

NAME		DATE		REV		DESCRIPTION		DATE		TITLE					
DRAWN	JOC	02-08-12		6		PORT TYPE & DIRECTION CHANGED.		29-05-2013		BE-BE 3" X 1.5" X152mm					
CHECKD				7		REF B7: STAMP MARK ADDED		24-10-2013		DWG NO. A2-500001_004					
APPROVED				8		REF TABLE C, L, R, ROD LENGTH REVISED. REF B1 & C3 OPEN & CLOSED CENTRES CHANGED		21-11-2013		DWG LOCATION					
MANUFACTURED				4		BORE SIZE CHANGED FROM 2.4" TO 3". ROD DIA CHANGED FROM 1.25" TO 1.5"		07-01-2013		DWG LOCATION					
				5		TONGUE & CLEVIS CHANGED TO ROD ENDS		27-03-2013		DWG LOCATION					
UNLESS OTHERWISE SPECIFIED: ALL DIMENSIONS ARE IN MILLIMETERS				SCALE: N.T.S.				DATE				SHEET			
TOLERANCES:				MASS				DATE				SHEET			
LINEAR: ± 1.0				10.5 kg				DATE				SHEET			
ANGULAR: ± 0.5								DATE				SHEET			
DEBUR AND BREAK SHARP EDGES								DATE				SHEET			

11 Norman Ave.
 Masterton, New Zealand
 T: +64 6 377 7241
 F: +64 6 370 3024
 E: www.kadlec.co.nz
 WWW.KADLEC.CO.NZ

Copyright © 2013 by Kadlec s.r.o. All rights reserved. No part of this drawing may be reproduced, stored in a retrieval system or transmitted in any form or by any means, electronic, mechanical, photocopying, recording or otherwise, without the written permission of Kadlec s.r.o. LIMITED.

11 Norman Ave.
 Masterton, New Zealand
 T: +64 6 377 7241
 F: +64 6 370 3024
 E: www.kadlec.co.nz
 WWW.KADLEC.CO.NZ

11 Norman Ave.
 Masterton, New Zealand
 T: +64 6 377 7241
 F: +64 6 370 3024
 E: www.kadlec.co.nz
 WWW.KADLEC.CO.NZ

11 Norman Ave.
 Masterton, New Zealand
 T: +64 6 377 7241
 F: +64 6 370 3024
 E: www.kadlec.co.nz
 WWW.KADLEC.CO.NZ

11 Norman Ave.
 Masterton, New Zealand
 T: +64 6 377 7241
 F: +64 6 370 3024
 E: www.kadlec.co.nz
 WWW.KADLEC.CO.NZ

11 Norman Ave.
 Masterton, New Zealand
 T: +64 6 377 7241
 F: +64 6 370 3024
 E: www.kadlec.co.nz
 WWW.KADLEC.CO.NZ

11 Norman Ave.
 Masterton, New Zealand
 T: +64 6 377 7241
 F: +64 6 370 3024
 E: www.kadlec.co.nz
 WWW.KADLEC.CO.NZ

11 Norman Ave.
 Masterton, New Zealand
 T: +64 6 377 7241
 F: +64 6 370 3024
 E: www.kadlec.co.nz
 WWW.KADLEC.CO.NZ