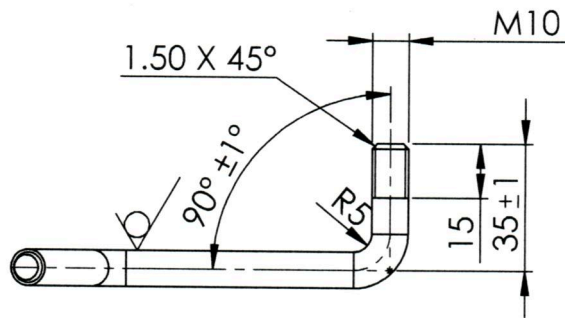
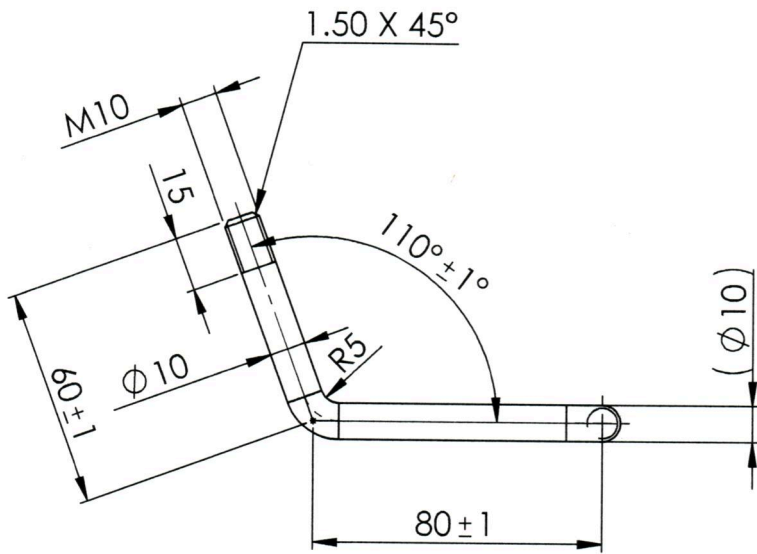
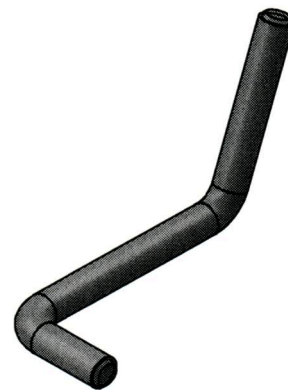


REVISIONS			
REV.	DESCRIPTION	DATE	APPROVED
A	Release to production	11/01/2017	RS



ISOMETRIC VIEW (1:2)



Ra 3,2

REMOVE ALL BURRS AND SHARP EDGES

Tolerance : ISO 2768 - mK		Qty : 4	Note :		
Format : A4	Weight : 104.31g	Material : 1.4301 (X5CrNi18-10)			
Scale : 1:2	Area : 5402.83mm <sup>2</sup>	Treatment :			
Hardness :		Finish : SAND-BLASTED, ACID CLEANED, PASSIVATED			
 Old Ref. :		Description : <b>MA/ DH Handle</b>			
		Date	By	Part Number	
		12/01/2017	RS	<b>90025401</b>	
		Check			Rev. <b>A</b>
		Approved			