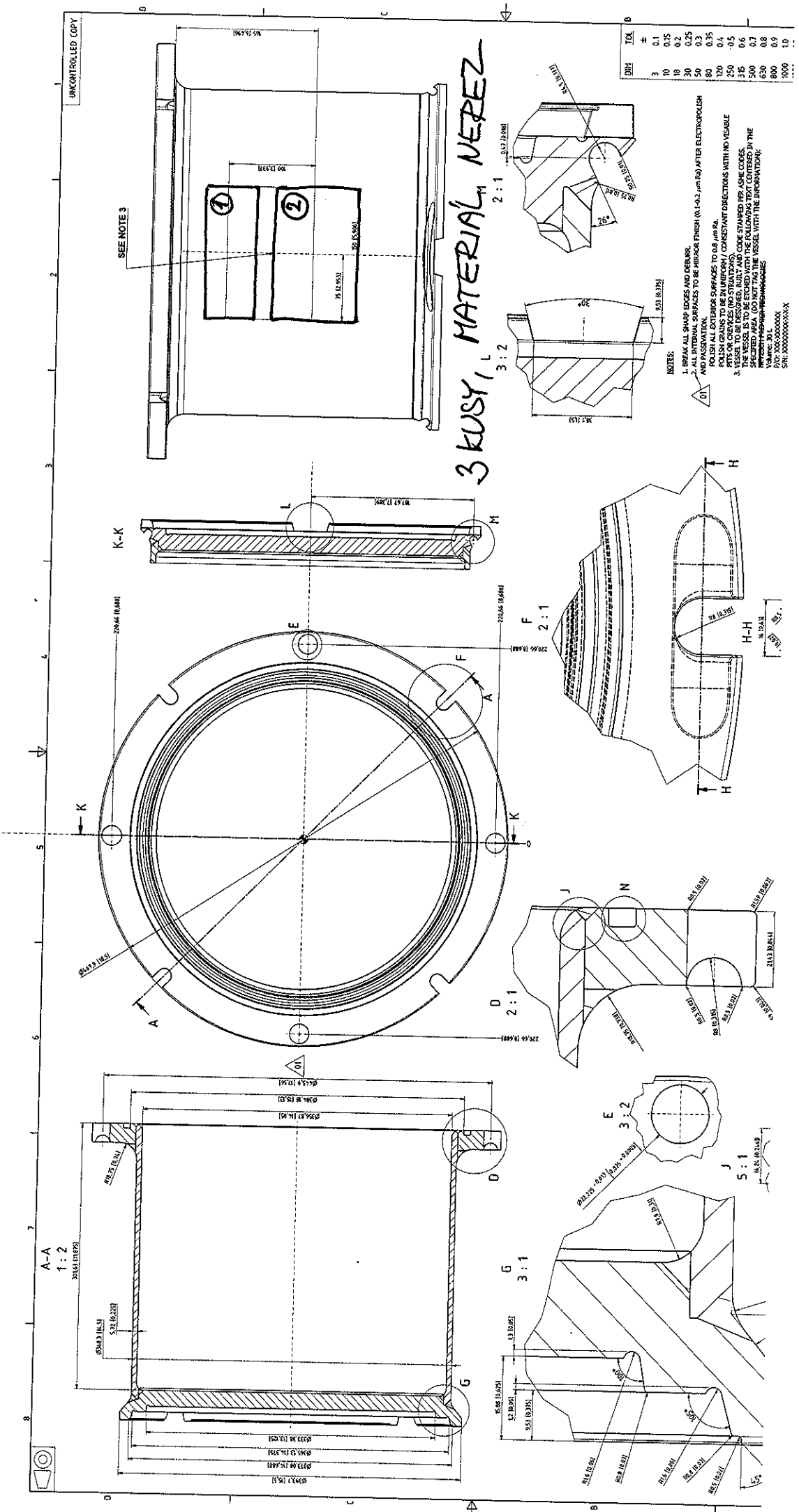


UNCONTROLLED COPY



150

75

①

NETZSCH

NETZSCH Premier Technologies, LLC

MIXING TANK 966.90

| | | |
|---------|-------------|----------------|
| Volume: | P/O: | S/N: |
| 30 L | NPT-9629811 | 2674;2675;2676 |

100

②

MIXING TANK 966.90

CERTIFIED BY

CHAMBER

MAWP (PSI AT F)

MA/WP (PSI AT F)

MDMT (F AT PSI)

STREICHER SPOL. S.R.O. PLZEN
33209 STENOVICE, CZECH REPUBLIC

| | | | |
|-----------|--|--|--|
| 1 | | | |
| 150@509 | | | |
| -14,5@509 | | | |
| 32@150 | | | |

SERIAL NO.

2674;2675;2676

YEAR BUILT

2014

