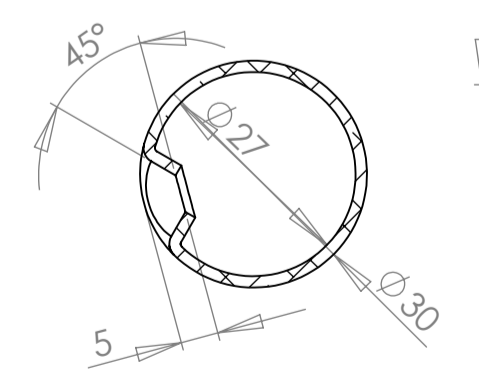


SECTION G-G



UNLESS OTHERWISE SPECIFIED: DIMENSIONS ARE IN MILLIMETERS		FINISH:	DEBURR AND BREAK SHARP EDGES		DO NOT SCALE DRAWING	REVISION
SURFACE FINISH:					TITLE: <b>Side tube L</b>	
TOLERANCES:					DWG NO: <b>2015-07-01_012</b>	
LINEAR:					SCALE: 1:1	
ANGULAR:					SHEET 1 OF 1	
DRAWN:	NAME:	SIGNATURE:	DATE:			
CHKD:	ms		2015-09-21			
APPVD:						
MFG:						
Q.A.						
					MATERIAL: Aluminium Ø30x1.5	
					WEIGHT:	