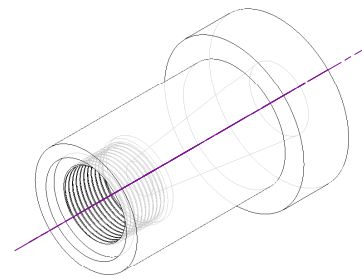
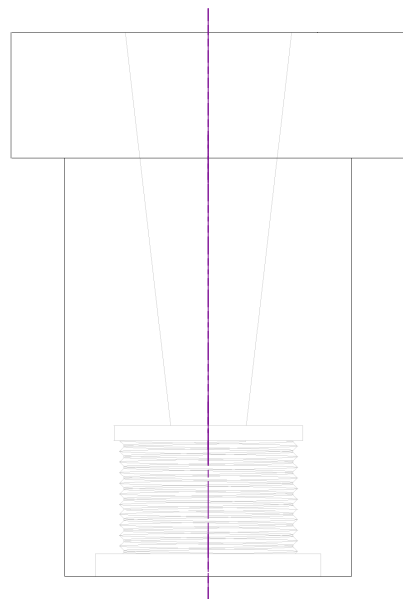
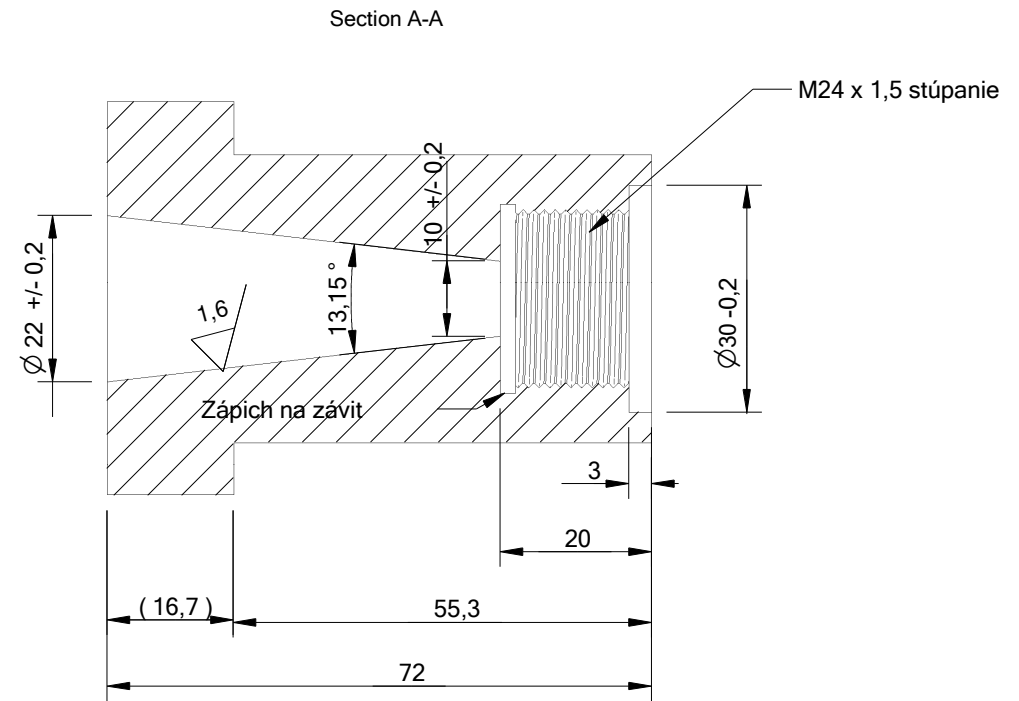
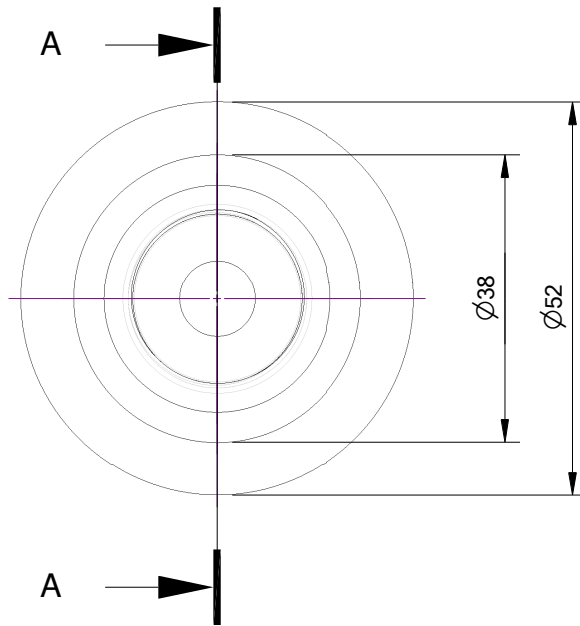



1 2 3 4 5 6

A  
B  
C  
D



		<b>Roffelsen</b> PLASTICS	
Name		Material	
Púzdro 72x50		1.4301	
Treatment	Date	Quantity	Scale
-----	07.08.2020	4x	1:1

1 2 3 4 5 6