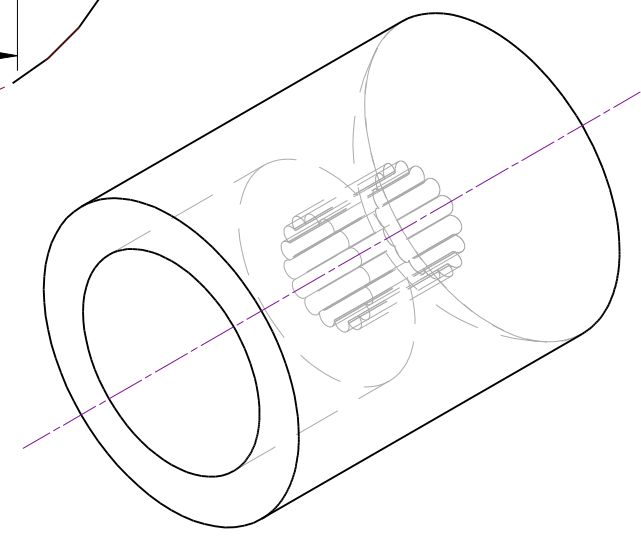
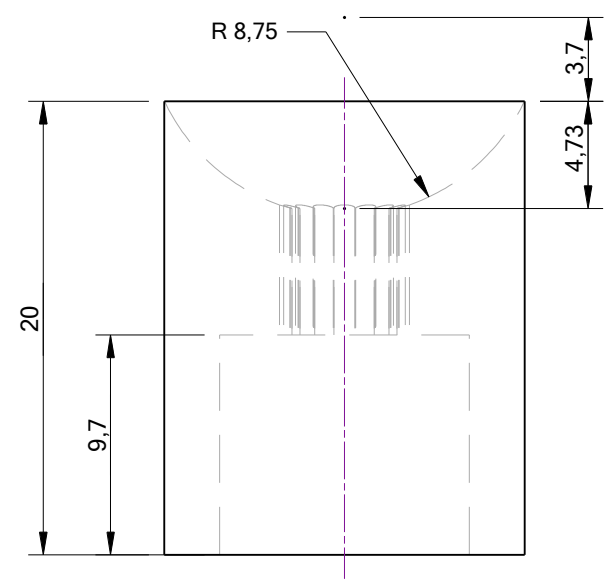
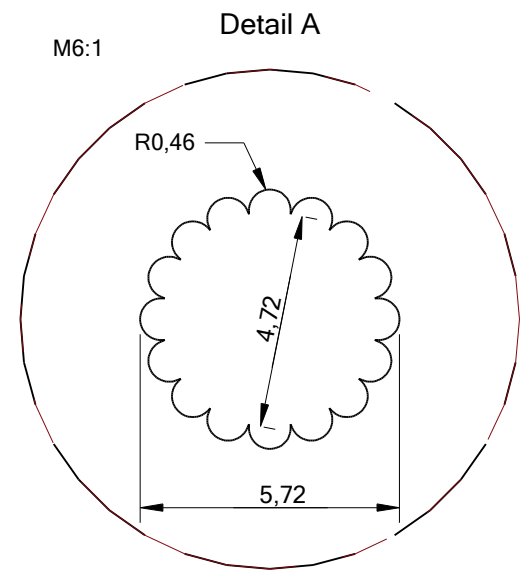
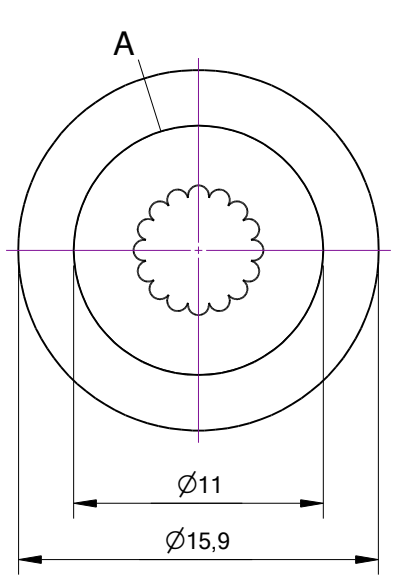



1 2 3 4 5 6

A
B
C
D

A
B
C
D



		Roffelsen PLASTICS			
Name		SH4		Material 1.4301	
Treatment		Date		Quantity	Scale
-----		27.08.2020		2x	3:1

1 2 3 4 5 6