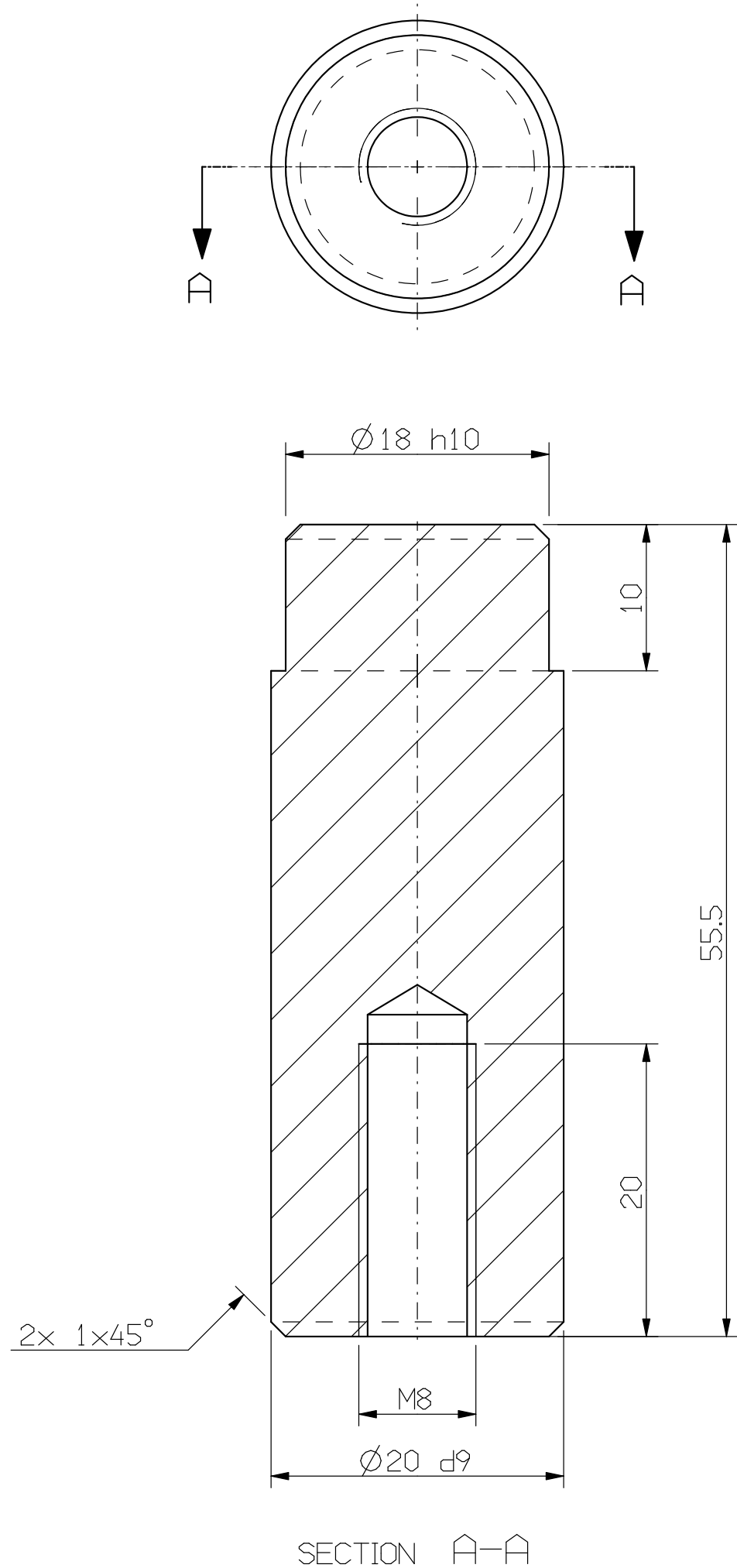
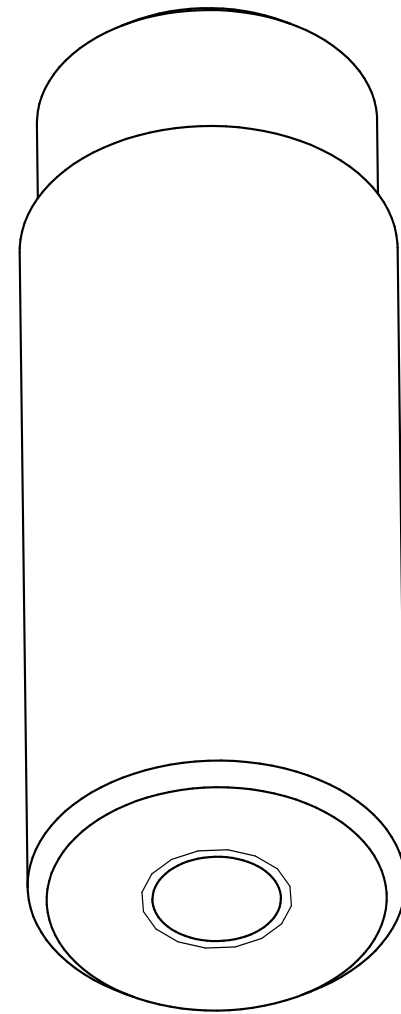


This drawing remains the exclusive property of John Bean Technologies AB.
 It may not, without John Bean Technologies AB's prior written consent, be
 utilized or copied, reproduced, transmitted or communicated to a third party

DO NOT SCALE IF IN DOUBT ASK



REV.	DESCRIPTION	YEAR MONTH DAY	SIGN
0			



Kooperace:
KJBT1199

MATERIAL NO 620041ED		MATERIAL DESCRIPTION ROUND BAR 20		
MATERIAL DIMENSION L=56		MATERIAL NOTE SS 2333/1.4301/304		
DRAWN LAVINE	YEAR MONTH DAY 180628	SEPARATE PARTS LIST <input type="checkbox"/>	WEIGHT [KG] 0.13	TITLE SHAFT
APPROVED LAVINEM	SURFACE TREATMENT ACC. TO NORM: 0017: R-0			UNLESS OTHERWISE STATED ALL TOLERANCES SHOULD BE ACCORDING TO NORM 0015
SURFACE ROUGHNESS ✓ (✓)			DRAWING NUMBER 1380697	SHEET 1 of 1
			SIZE 3	VIEW CONVENTION