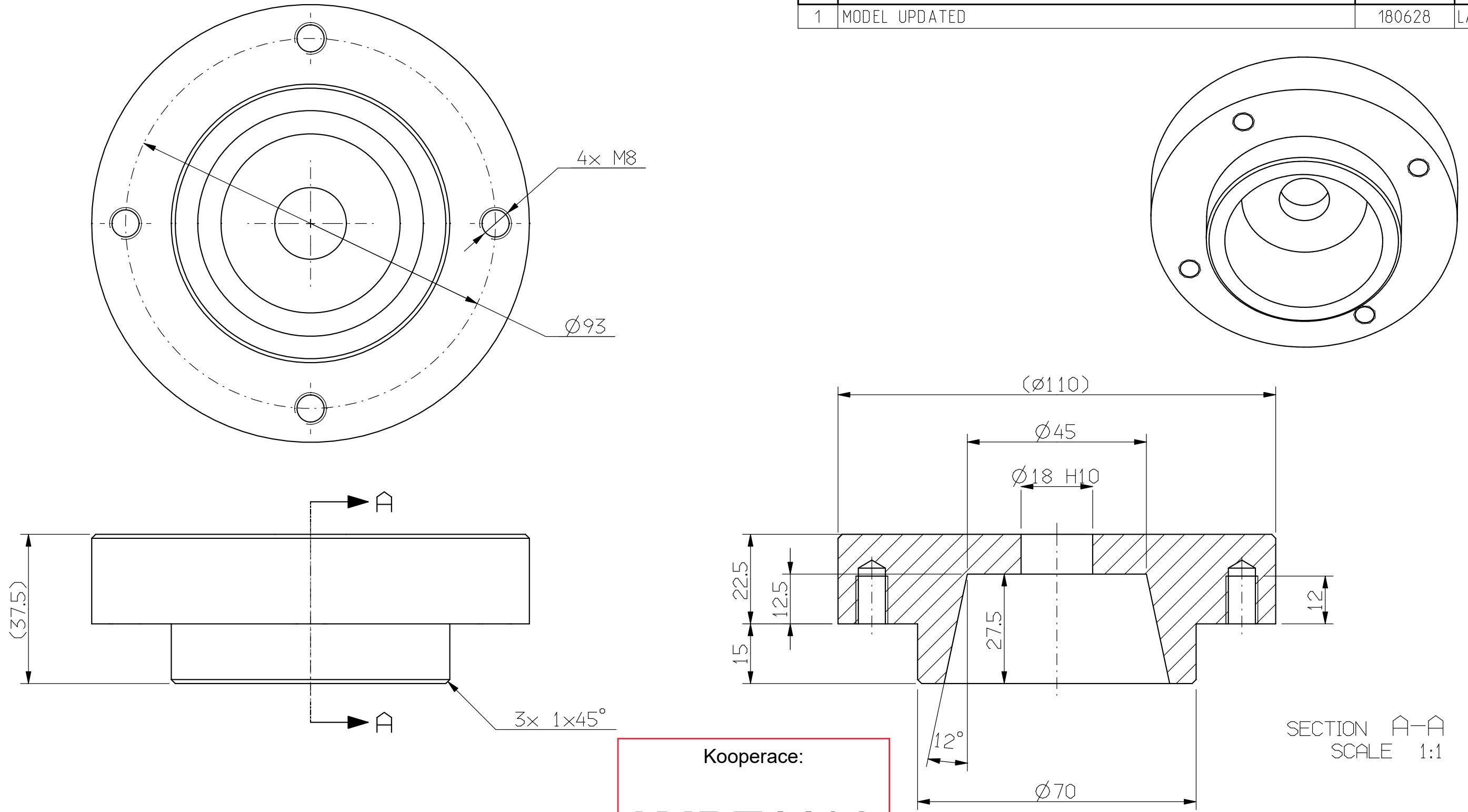


This drawing remains the exclusive property of John Bean Technologies AB. It may not, without John Bean Technologies AB's prior written consent, be utilized or copied, reproduced, transmitted or communicated to a third party.

DO NOT SCALE IF IN DOUBT ASK

REV.	DESCRIPTION	YEAR MONTH DAY	SIGN
1	MODEL UPDATED	180628	LAVINE



Kooperace:  
**KJBT1198**

MATERIAL NO 620109ED		MATERIAL DESCRIPTION ROUND BAR 110		
MATERIAL DIMENSION L=38		MATERIAL NOTE SS 2333/1.4301/304		
DRAWN LAVINE	YEAR MONTH DAY 180404	SEPARATE PARTS LIST <input type="checkbox"/>	TITLE HUB	
APPROVED LAVINEM	SURFACE TREATMENT ACC. TO NORM: 0017: R-0		UNLESS OTHERWISE STATED ALL TOLERANCES SHOULD BE ACCORDING TO NORM 0015	
SURFACE ROUGHNESS $\checkmark$ ( $\checkmark$ )			DRAWING NUMBER 1367750	SHEET 1 of 1
			SIZE 3	 VIEW CONVENTION