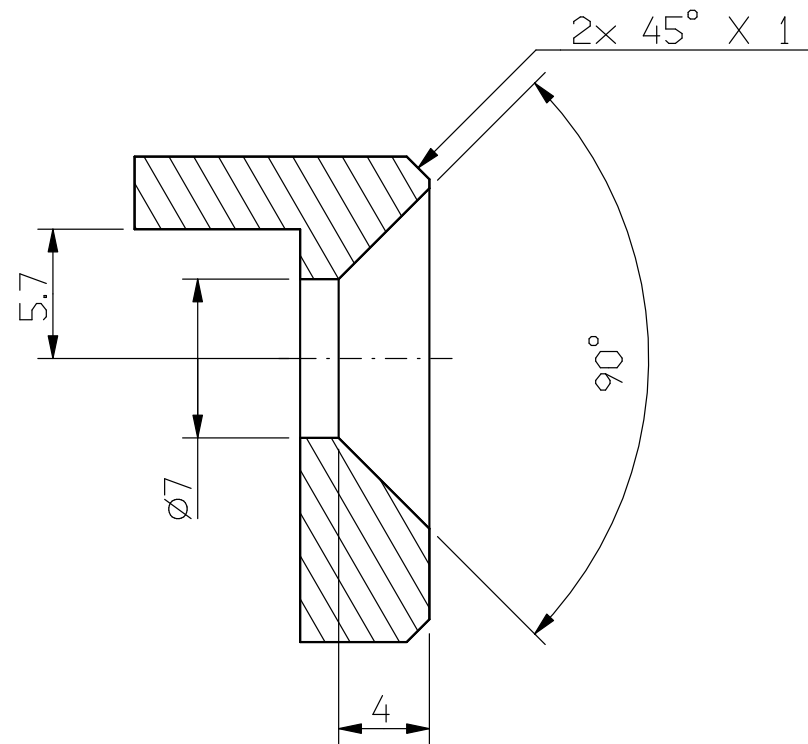
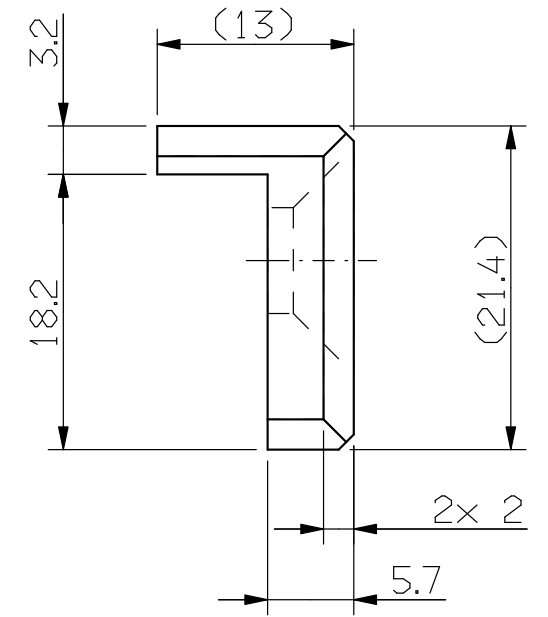
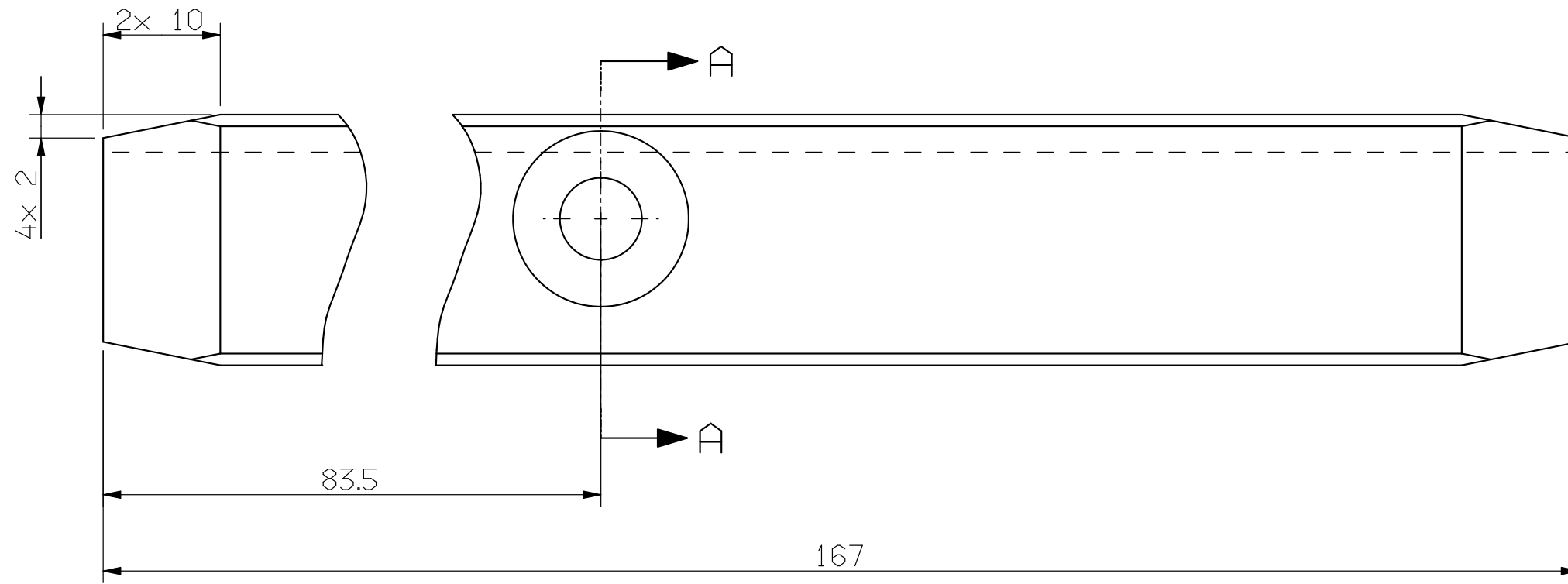


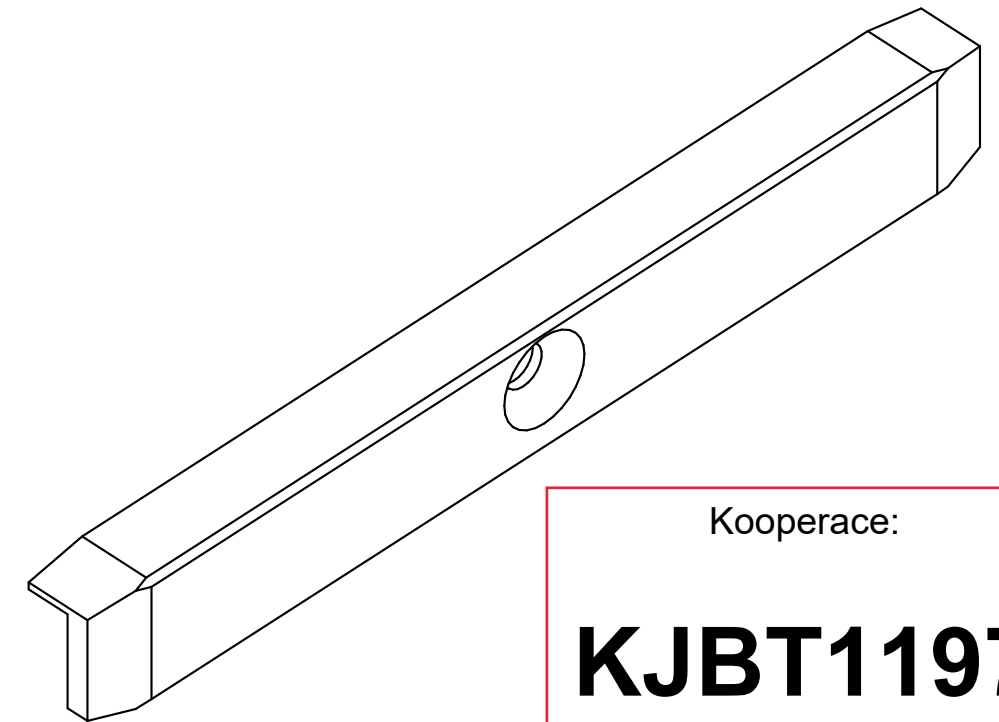
This drawing remains the exclusive property of John Bean Technologies AB. It may not, without John Bean Technologies AB's prior written consent, be utilized or copied, reproduced, transmitted or communicated to a third party.

DO NOT SCALE IF IN DOUBT ASK

REV.	DESCRIPTION	YEAR MONTH DAY	SIGN
0			



SECTION A-A  
SCALE 3:1



MATERIAL NO 600122ND		MATERIAL DESCRIPTION PLATE TH= 13	
MATERIAL DIMENSION 22X167		MATERIAL NOTE ROBALON-W	
DRAWN LAVINE	YEAR MONTH DAY 180405	SEPARATE PARTS LIST <input type="checkbox"/>	TITLE GLIDE STRIP
APPROVED LAVINEM	SURFACE TREATMENT ACC. TO NORM:		UNLESS OTHERWISE STATED ALL TOLERANCES SHOULD BE ACCORDING TO NORM 0015
SURFACE ROUGHNESS ✓ (✓)			DRAWING NUMBER 1373565
			SHEET 1 of 1
			 VIEW CONVENTION