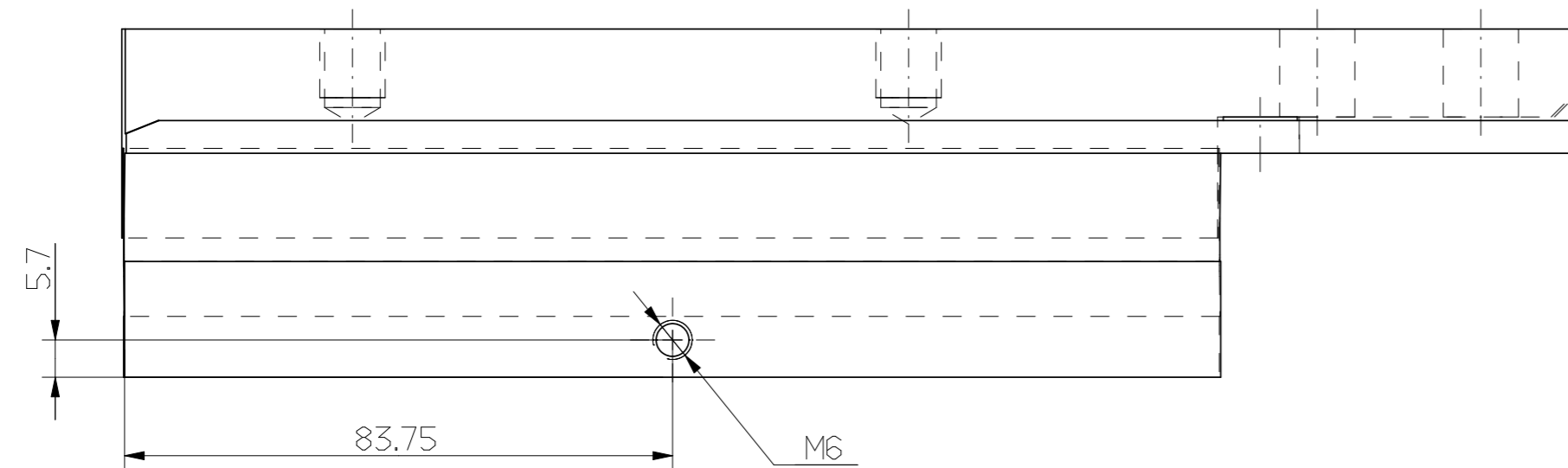
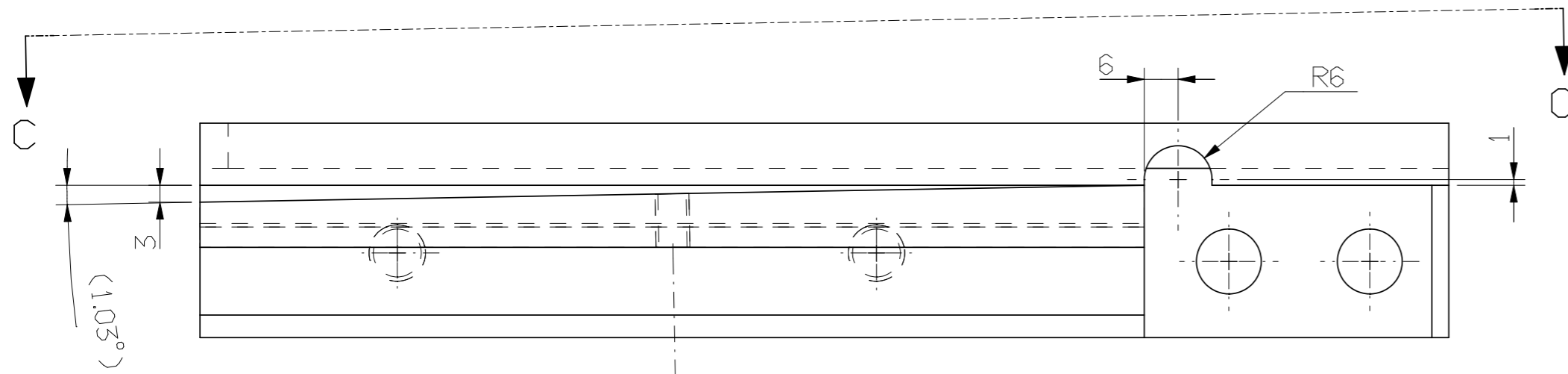
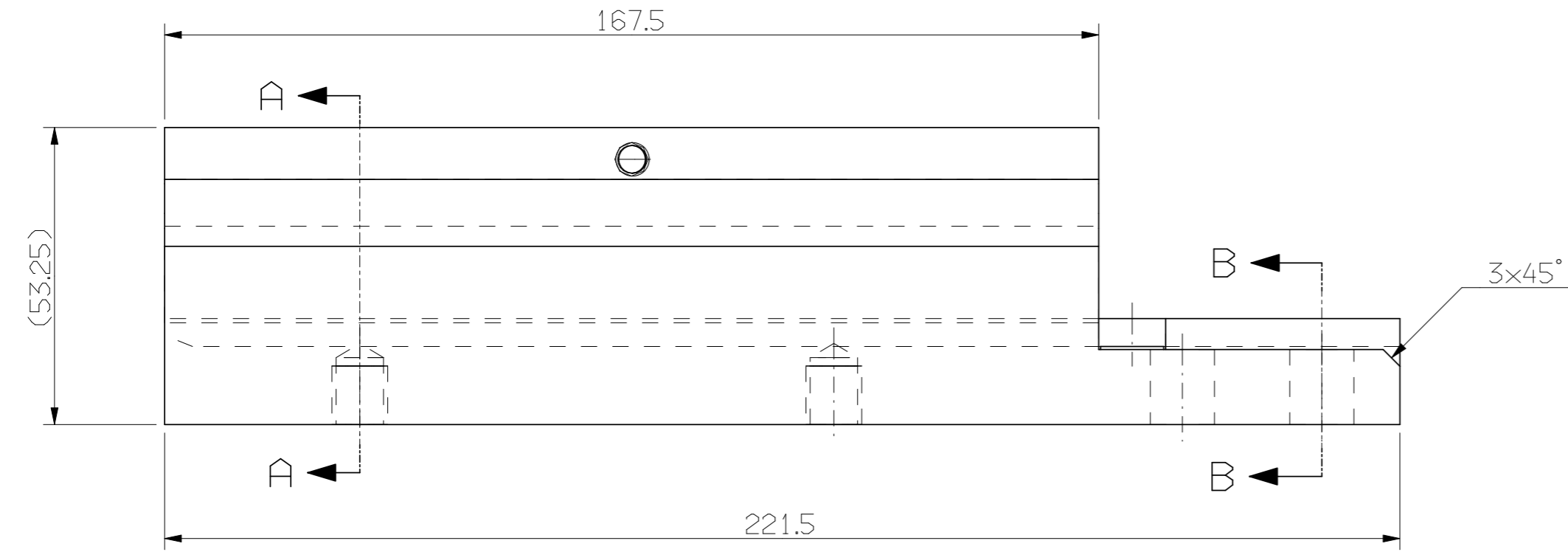
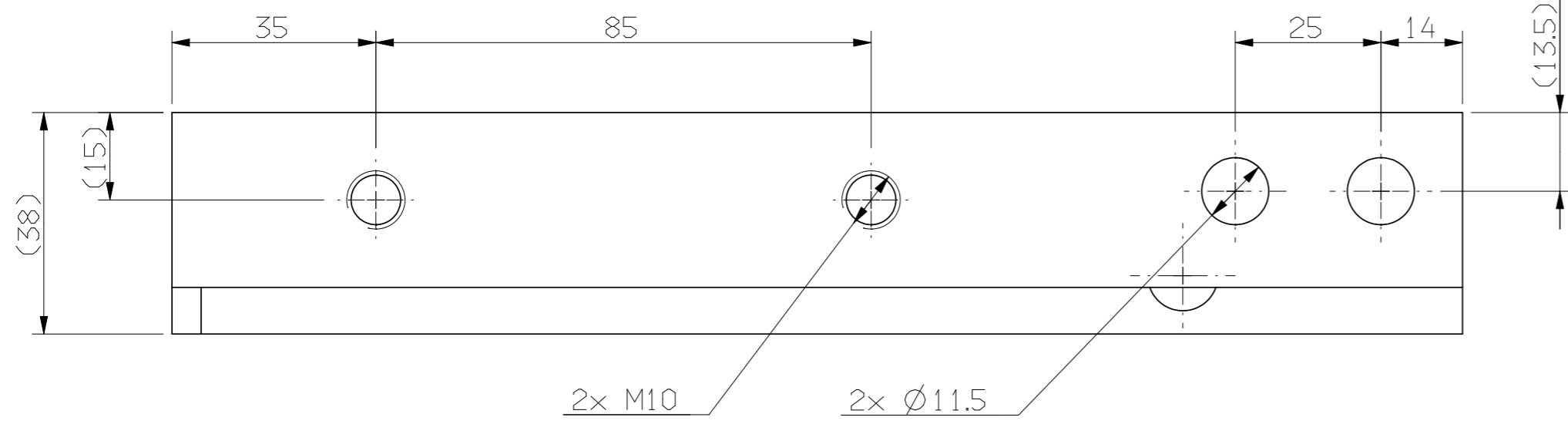
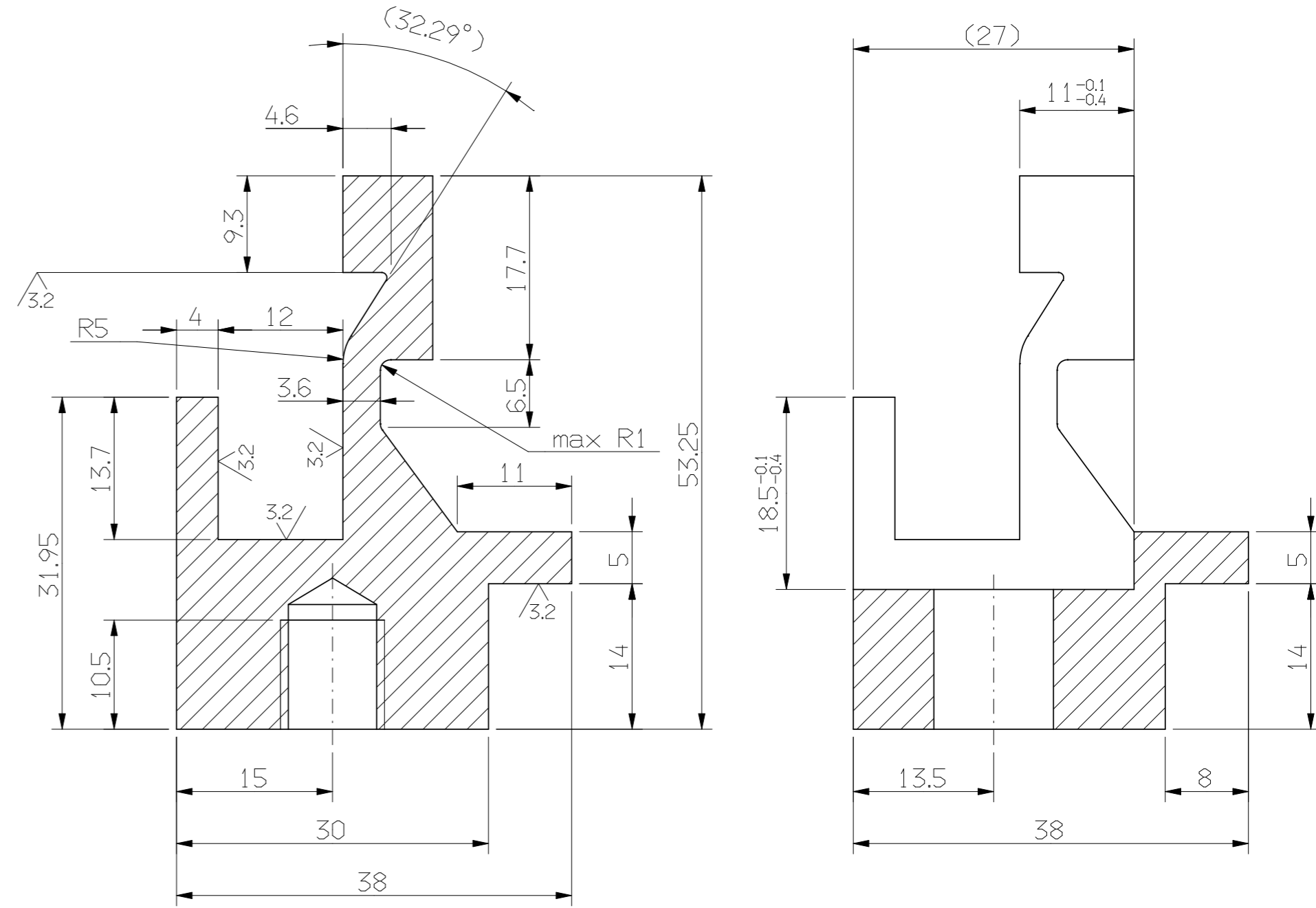


DO NOT SCALE IF IN DOUBT ASK

This drawing remains the exclusive property of John Bean Technologies AB. It may not, without John Bean Technologies AB's prior written consent, be utilized or copied, reproduced, transmitted or communicated to a third party.

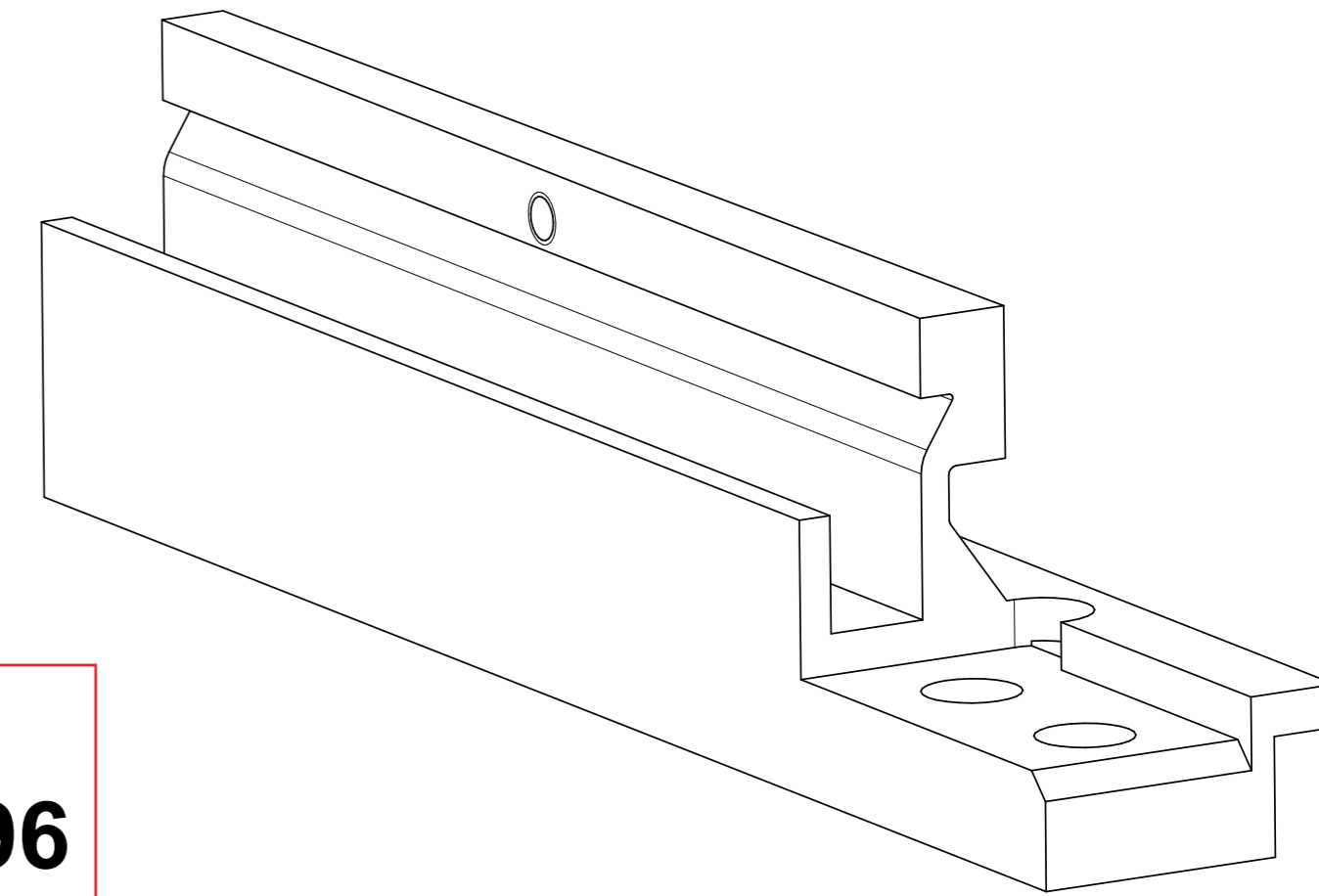
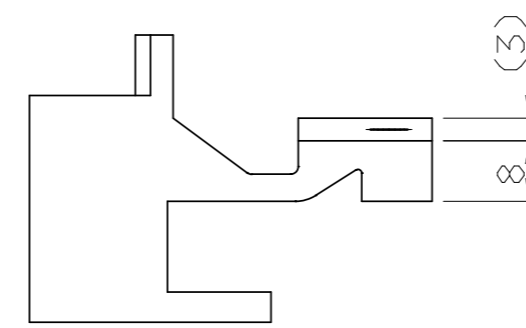


SECTION C-C



SECTION A-A
SCALE 2:1

SECTION B-B
SCALE 2:1



Kooperace:
KJBT1196

MATERIAL NO 600028ED		MATERIAL DESCRIPTION PLATE TH= 40		
MATERIAL DIMENSION 222X54		MATERIAL NOTE SS 2333/1.4301/304		
DRAWN LAVINE	YEAR MONTH DAY 180416	SEPARATE PARTS LIST <input type="checkbox"/>	WEIGHT (KG) 1.34	TITLE FIXED TELESCOPE
APPROVED LAVINEM	SURFACE TREATMENT ACC. TO NORM. 0017: R-0		UNLESS OTHERWISE STATED ALL TOLERANCES SHOULD BE ACCORDING TO NORM 0015	
SURFACE ROUGHNESS ✓ (✓)			DRAWING NUMBER 1373564	SHEET 1 of 1
			SIZE 2	VIEW CONVENTION