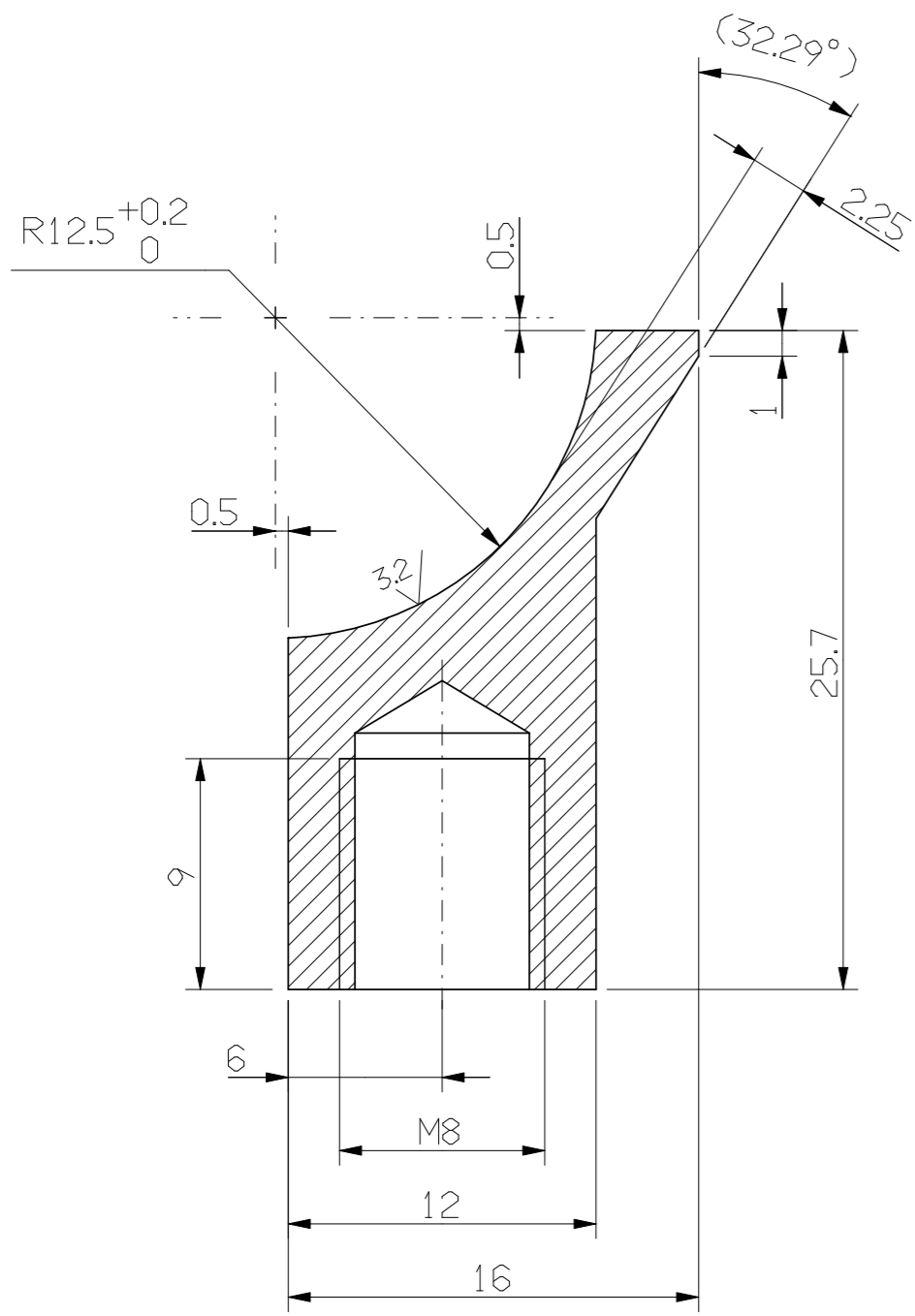
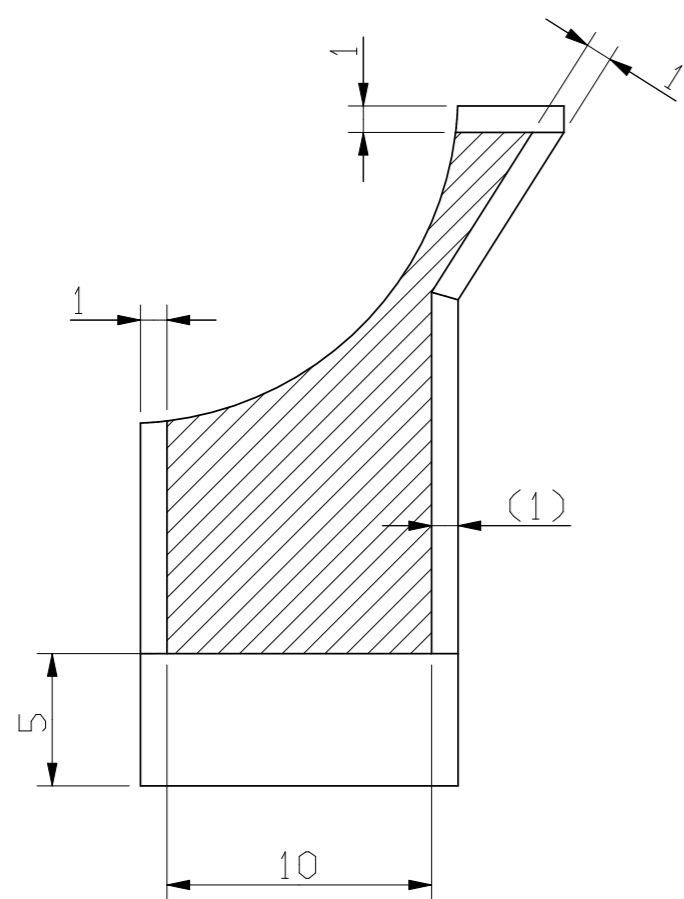
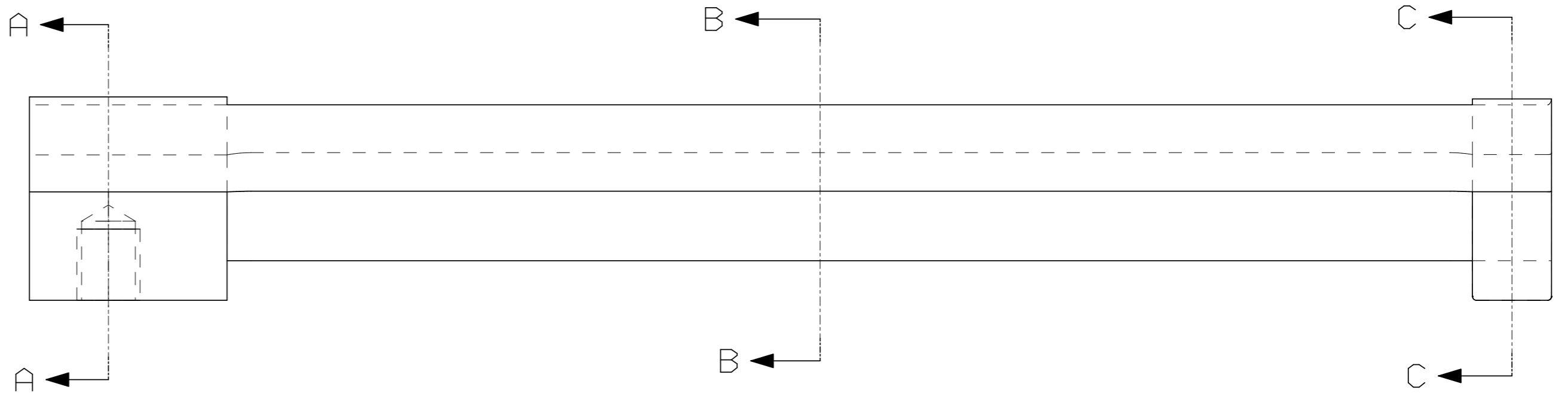
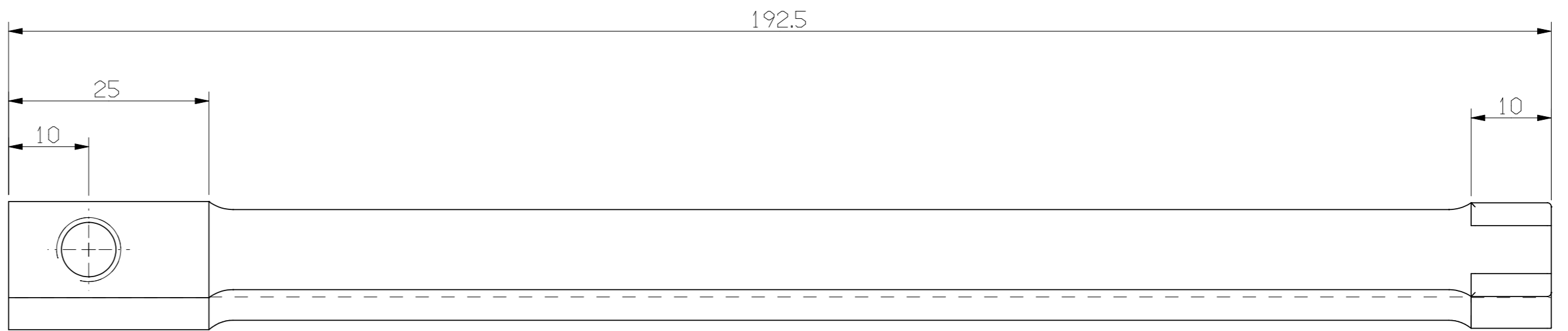


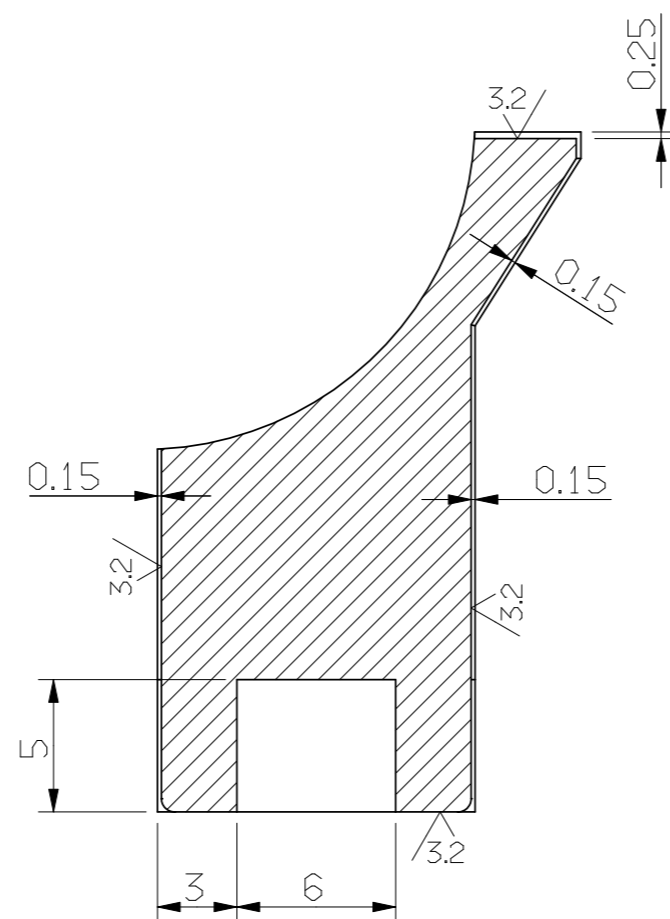
REV.	DESCRIPTION	YEAR MONTH DAY	SIGN.
1	MODEL UPDATED	180628	LAVINE



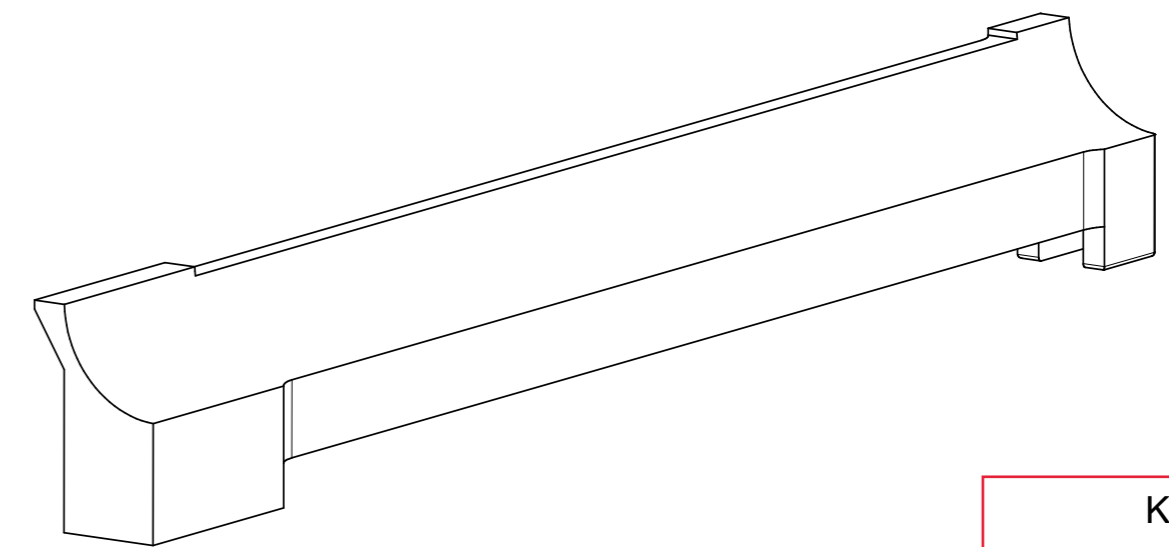
SECTION A-A
SCALE 7:2



SECTION B-B
SCALE 7:2



SECTION C-C
SCALE 7:2



Kooperace:
KJBT1195

MATERIAL NO 600028ED	MATERIAL DESCRIPTION PLATE TH= 40		
MATERIAL DIMENSION 193X16	MATERIAL NOTE SS 2333/1.4301/304		
DRAWN LAVINE	YEAR MONTH DAY 180416	SEPARATE PARTS LIST <input type="checkbox"/>	WEIGHT (KG) 0.20
APPROVED LAVINEM	SURFACE TREATMENT ACC. TO NORM: 0017: R-0		TITLE DOCKING RAIL
SURFACE ROUGHNESS ✓(✓)			DRAWING NUMBER 1373563
			SHEET 1 of 1
			UNLESS OTHERWISE STATED ALL TOLERANCES SHOULD BE ACCORDING TO NORM 0015
			VIEW CONVENTION

DO NOT SCALE IF IN DOUBT ASK

This drawing remains the exclusive property of John Bean Technologies AB. It may not, without John Bean Technologies AB's prior written consent, be utilized or copied, reproduced, transmitted or communicated to a third party.