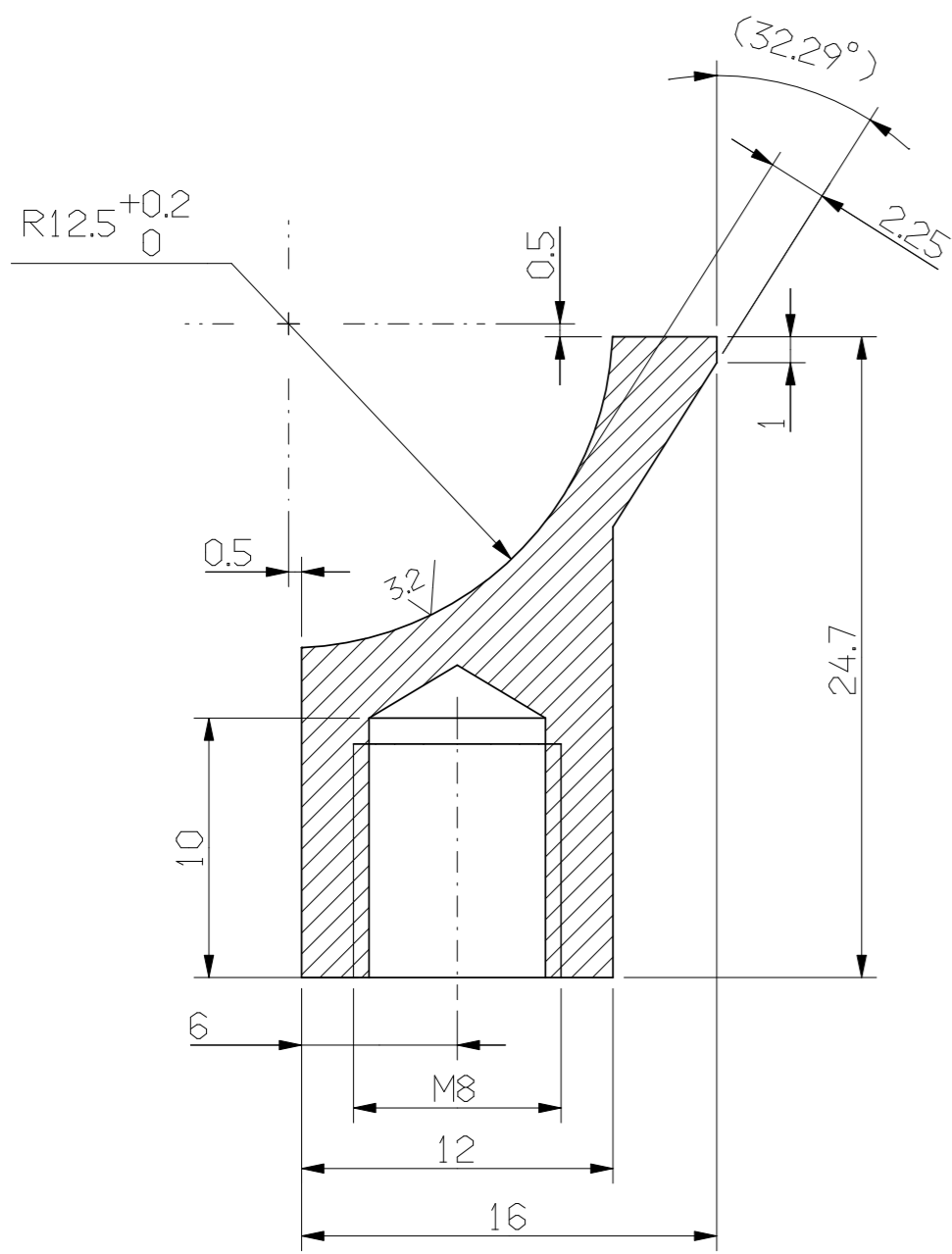
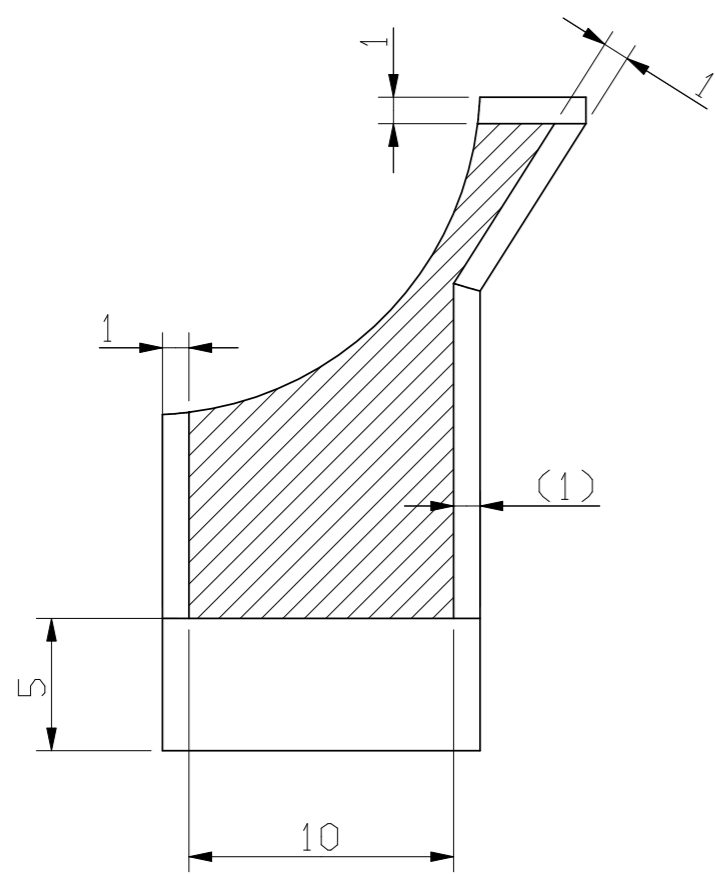
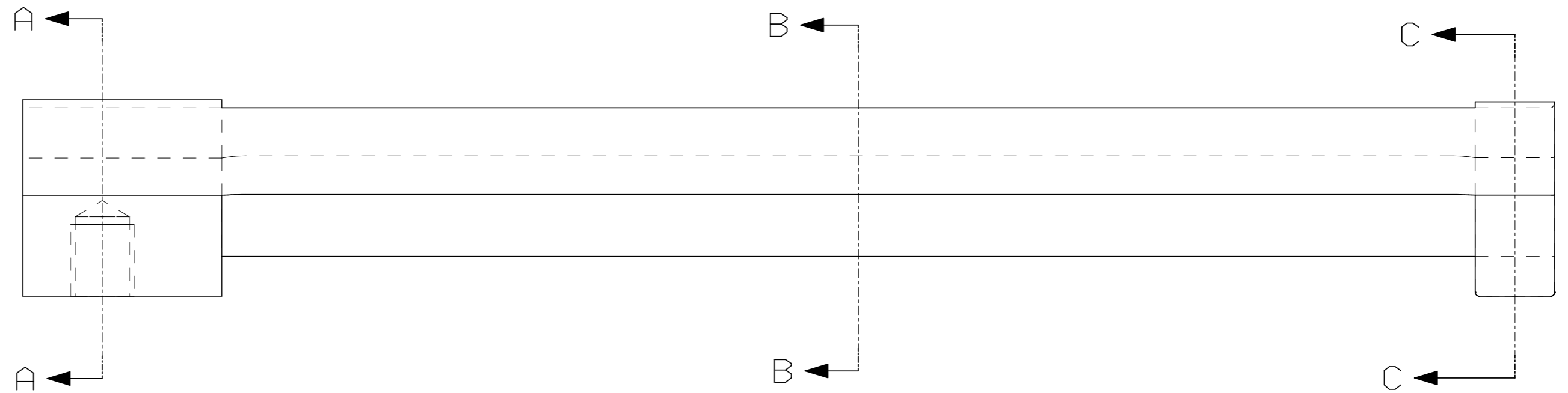
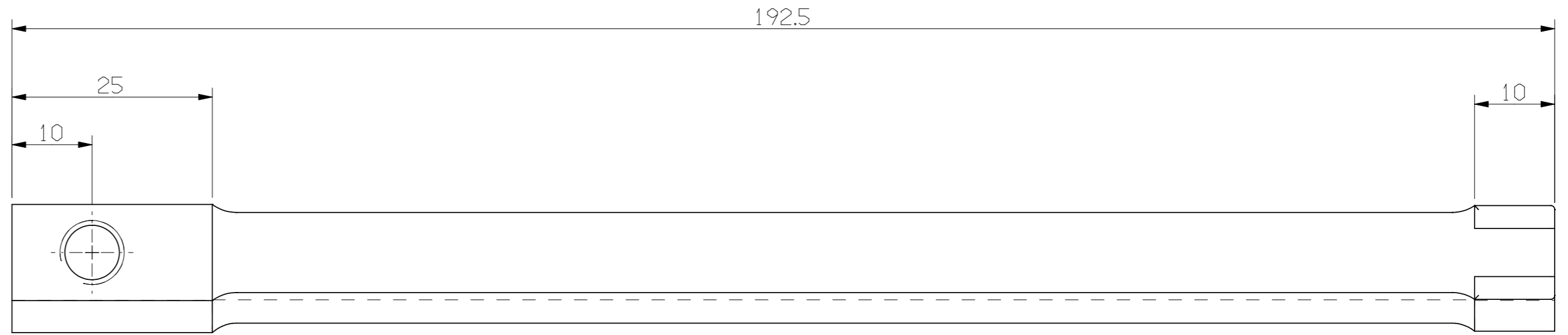


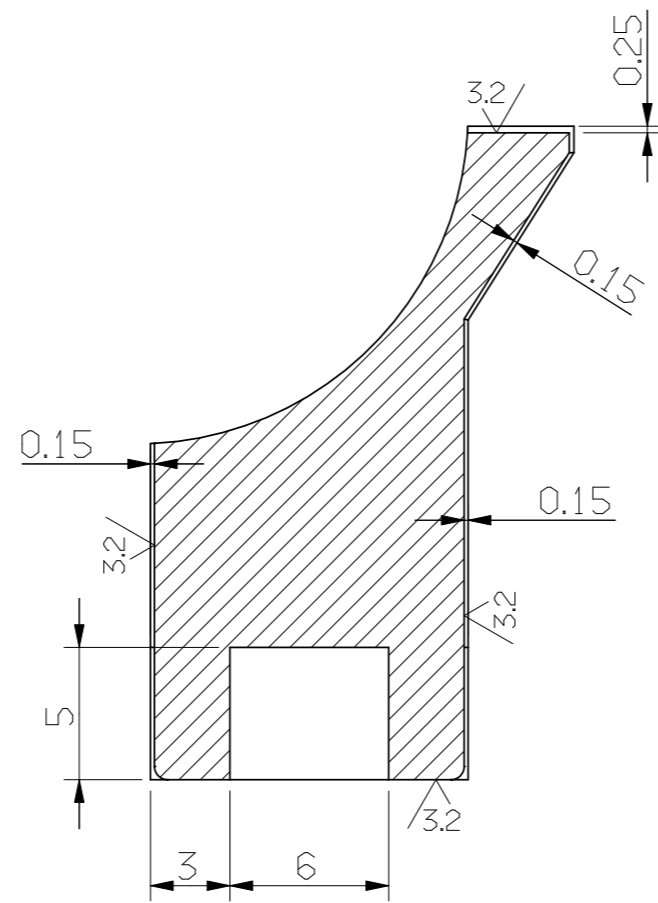
REV.	DESCRIPTION	YEAR MONTH DAY	SIGN.
1	MODEL UPDATED	180628	LAVINE



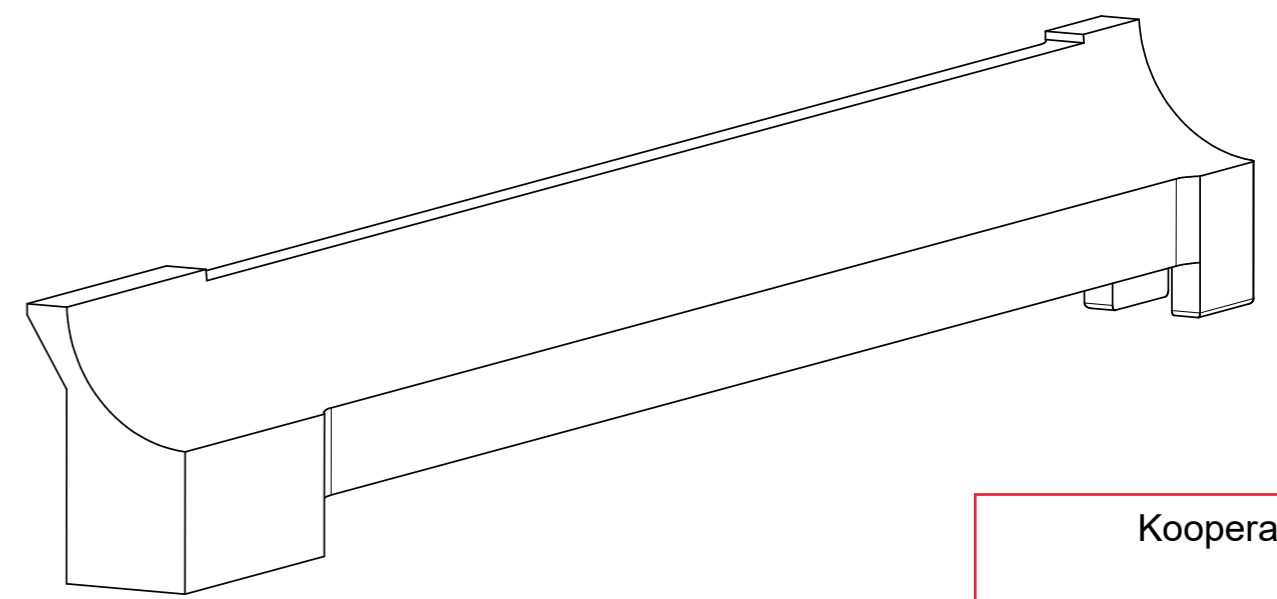
SECTION A-A
SCALE 7:2



SECTION B-B
SCALE 7:2



SECTION C-C
SCALE 7:2



Kooperace:
KJBT1194

MATERIAL NO 600023ED	MATERIAL DESCRIPTION PLATE TH= 20		
MATERIAL DIMENSION 193X16	MATERIAL NOTE SS 2333/1.4301/304		
DRAWN LAVINE	YEAR MONTH DAY 180405	SEPARATE PARTS LIST <input type="checkbox"/>	WEIGHT (KG) 0.19
APPROVED LAVINEM		SURFACE TREATMENT ACC. TO NORM. 0017: R-0	
SURFACE ROUGHNESS ✓(✓)		DRAWING NUMBER 1370755	
SHEET 1 of 1		SIZE 2	
UNLESS OTHERWISE STATED ALL TOLERANCES SHOULD BE ACCORDING TO NORM 0015		VIEW CONVENTION 	

DO NOT SCALE IF IN DOUBT ASK

This drawing remains the exclusive property of John Bean Technologies AB. It may not, without John Bean Technologies AB's prior written consent, be utilized or copied, reproduced, transmitted or communicated to a third party.