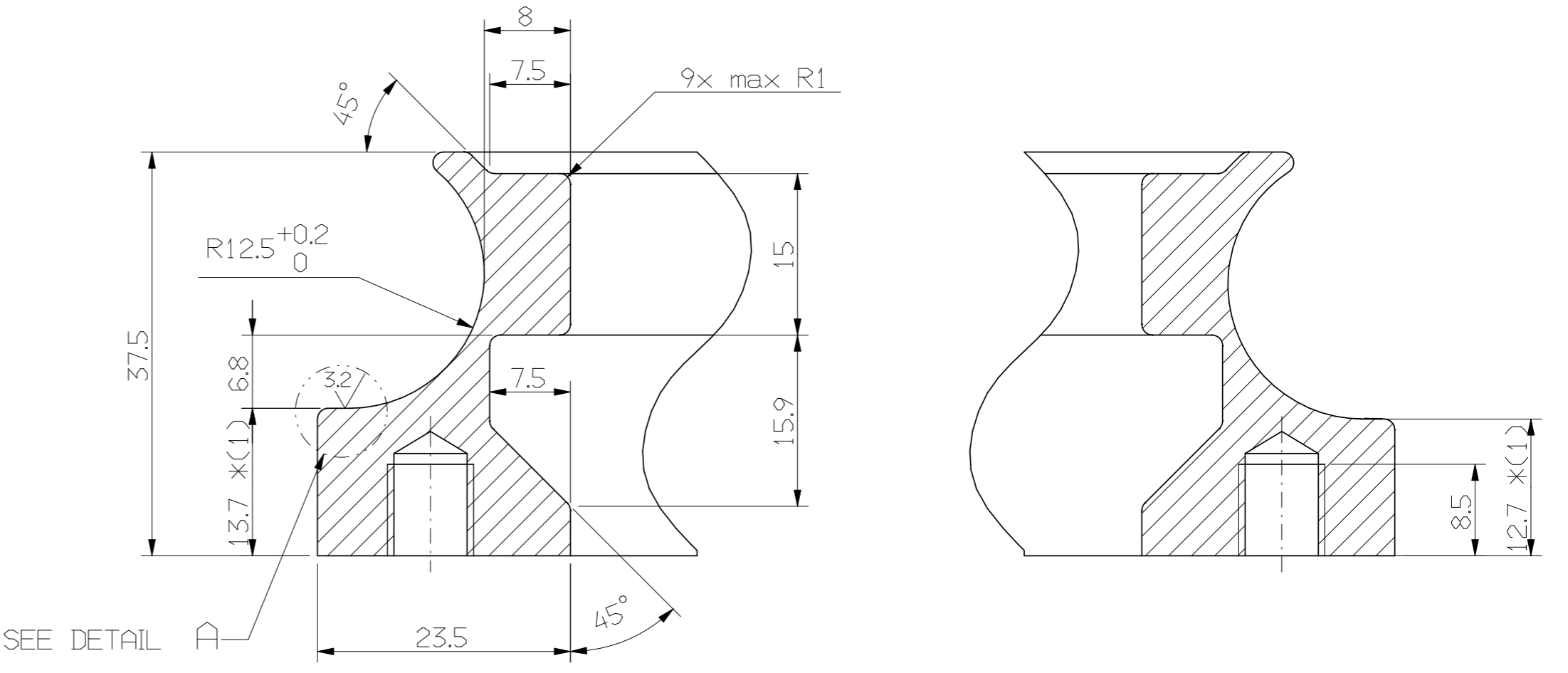
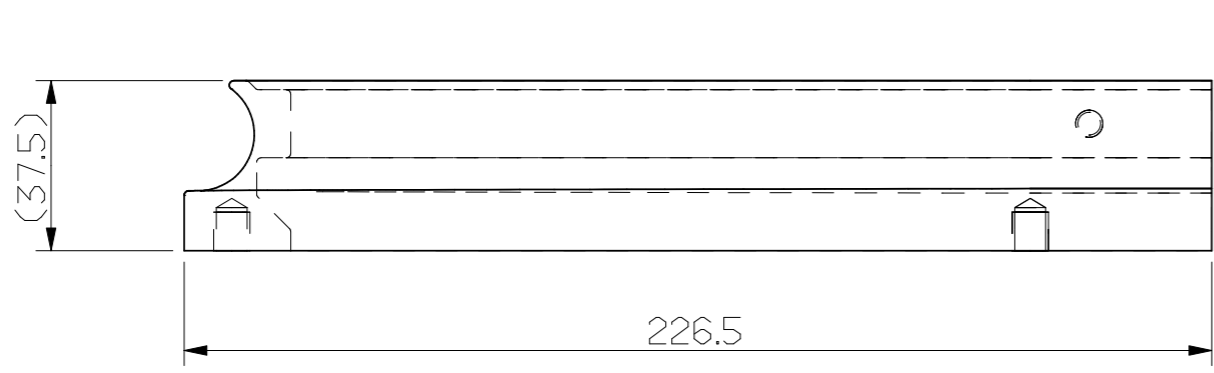
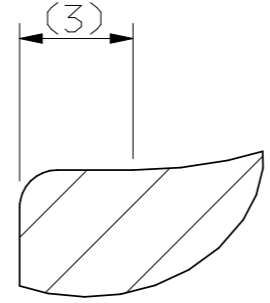
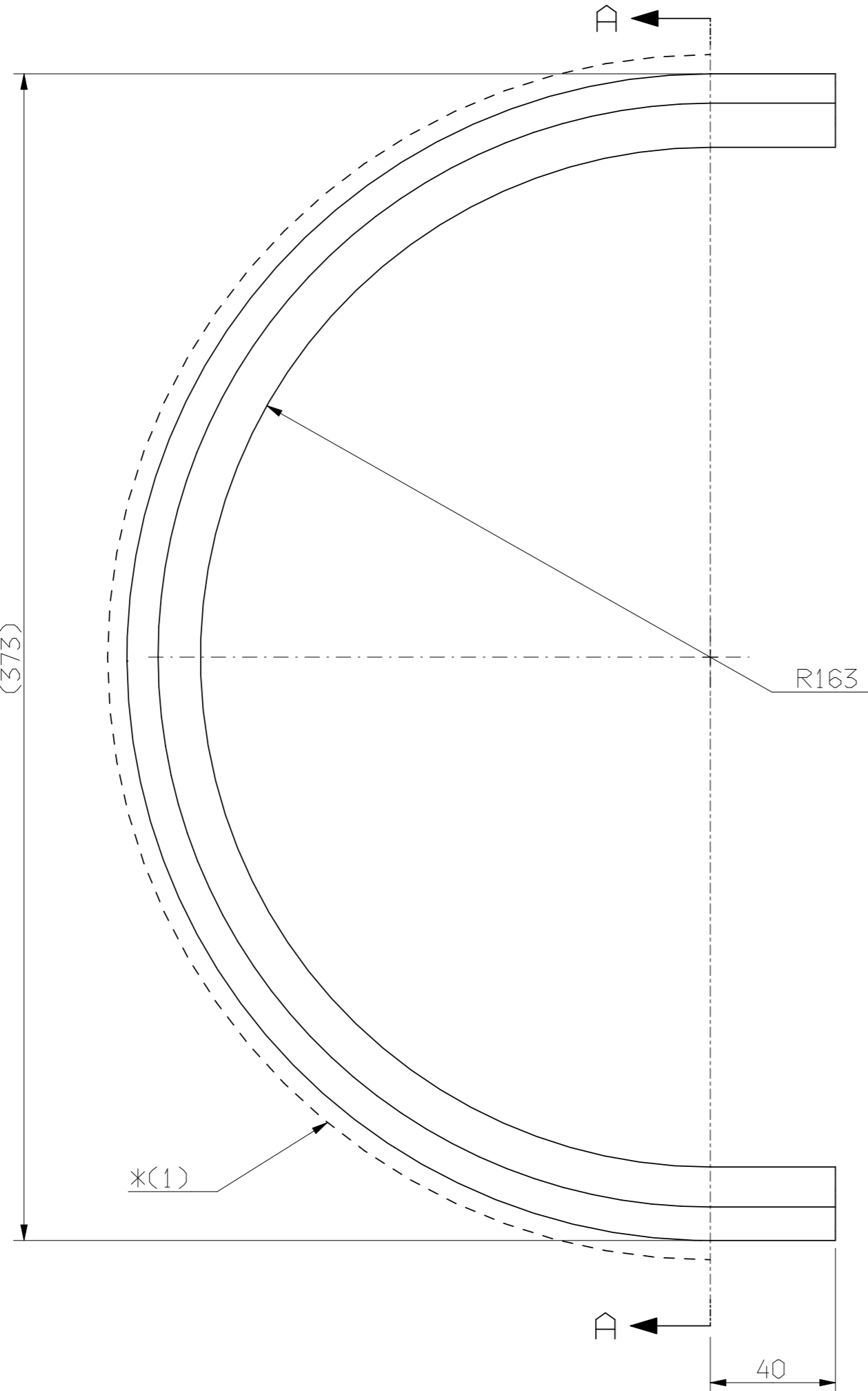


REV.	DESCRIPTION	YEAR MONTH DAY	SIGN.
1	MODEL UPDATED	180627	LAVINE



SECTION A-A  
SCALE 2:1



DETAIL A  
SCALE 5:1

Kooperace:  
**KJBT1190**

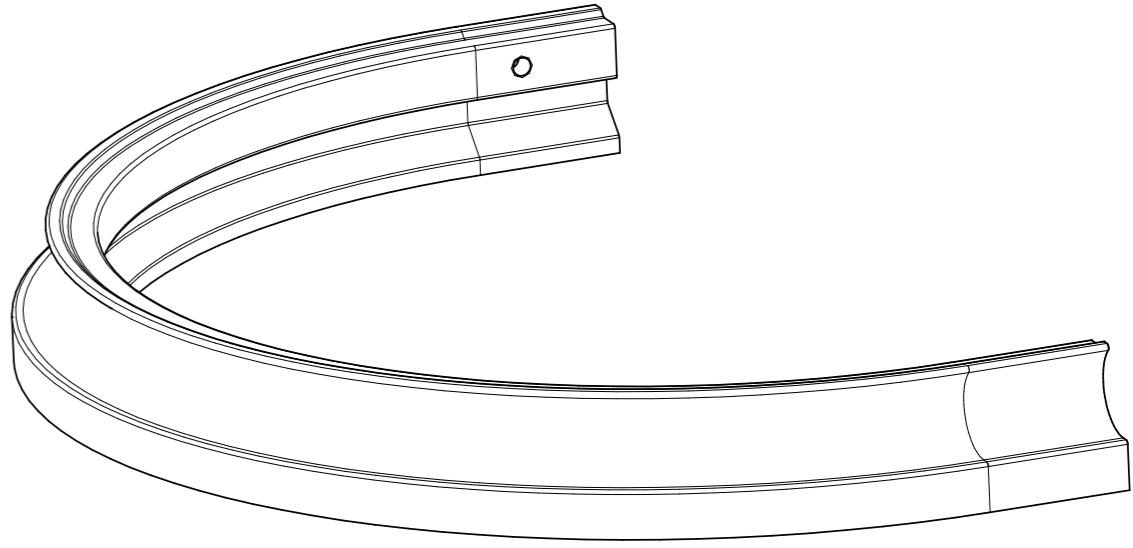
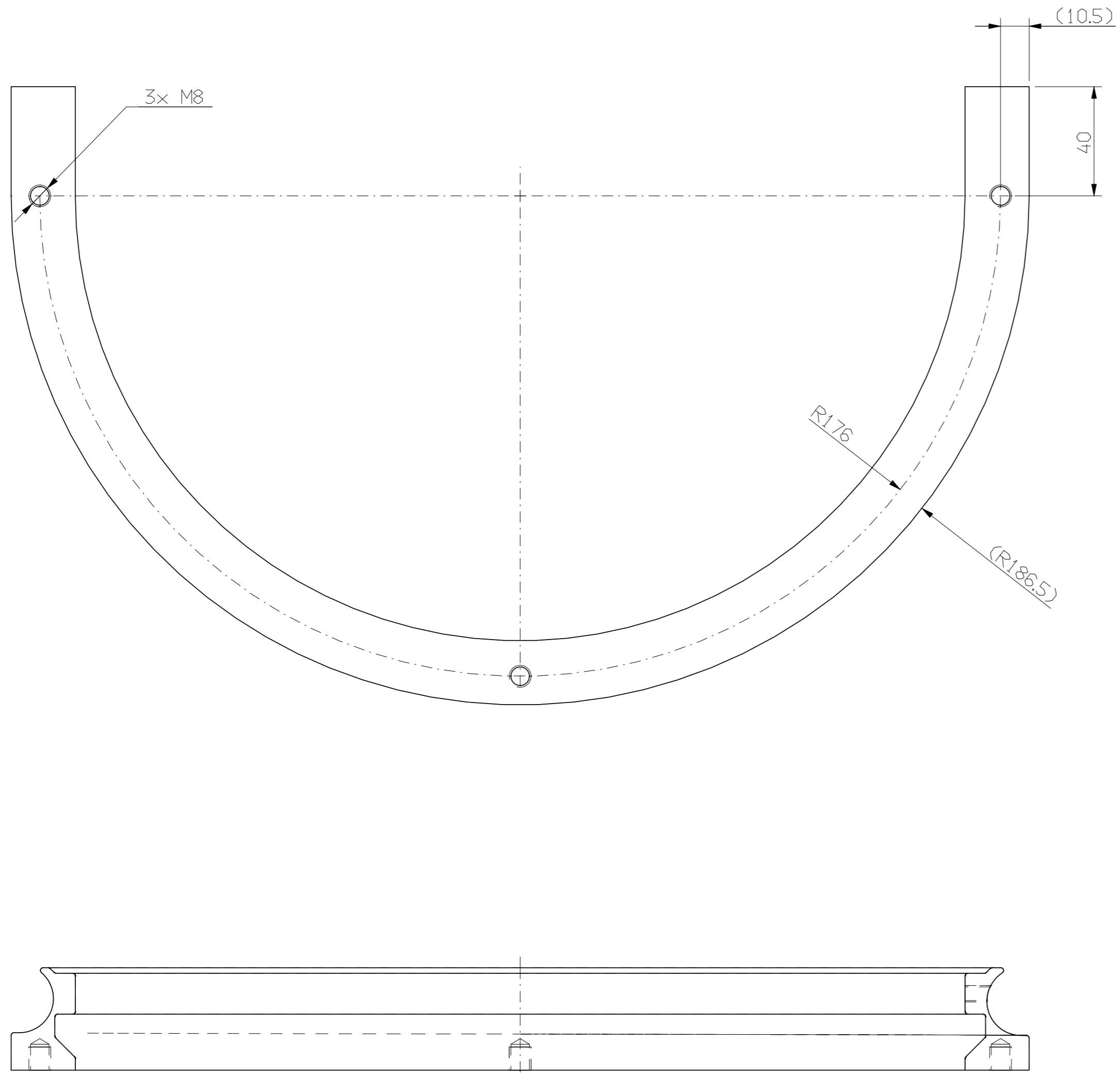
\* (1) DIMENSION CHANGES CONTINUOUSLY OVER 180°

DO NOT SCALE IF IN DOUBT ASK

This drawing remains the exclusive property of John Bean Technologies AB. It may not, without John Bean Technologies AB's prior written consent, be utilized or copied, reproduced, transmitted or communicated to a third party.

MATERIAL NO 600028ED		MATERIAL DESCRIPTION PLATE TH= 40		
MATERIAL DIMENSION 373X227		MATERIAL NOTE SS 2333/1.4301/304		
DRAWN LAVINE	YEAR MONTH DAY 180413	SEPARATE PARTS LIST <input type="checkbox"/>	WEIGHT (KG) 2.22	TITLE RIM, TENSIONER
APPROVED LAVINEM	SURFACE TREATMENT ACC. TO NORM. 0017: R-0		UNLESS OTHERWISE STATED ALL TOLERANCES SHOULD BE ACCORDING TO NORM 0015	
SURFACE ROUGHNESS ✓ (✓)			DRAWING NUMBER 1367761	SHEET 1 of 2
			SIZE 2	VIEW CONVENTION 

REV.	DESCRIPTION	YEAR MONTH DAY	SIGN.
1	MODEL UPDATED	180627	LAVINE



DO NOT SCALE IF IN DOUBT ASK

This drawing remains the exclusive property of John Bean Technologies AB. It may not, without John Bean Technologies AB's prior written consent, be utilized or copied, reproduced, transmitted or communicated to a third party.

MATERIAL NO 600028ED		MATERIAL DESCRIPTION PLATE TH= 40			
MATERIAL DIMENSION 373X227		MATERIAL NOTE SS 2333/1.4301/304			
DRAWN LAVINE	YEAR MONTH DAY 180413	SEPARATE PARTS LIST <input type="checkbox"/>	WEIGHT (KG) 2.22	TITLE RIM, TENSIONER	
APPROVED LAVINEM	SURFACE TREATMENT ACC. TO NORM: 0017: R-0		UNLESS OTHERWISE STATED ALL TOLERANCES SHOULD BE ACCORDING TO NORM 0015		
SURFACE ROUGHNESS ✓ (✓)			DRAWING NUMBER 1367761	SHEET 2 of 2	SIZE 2
VIEW CONVENTION 					