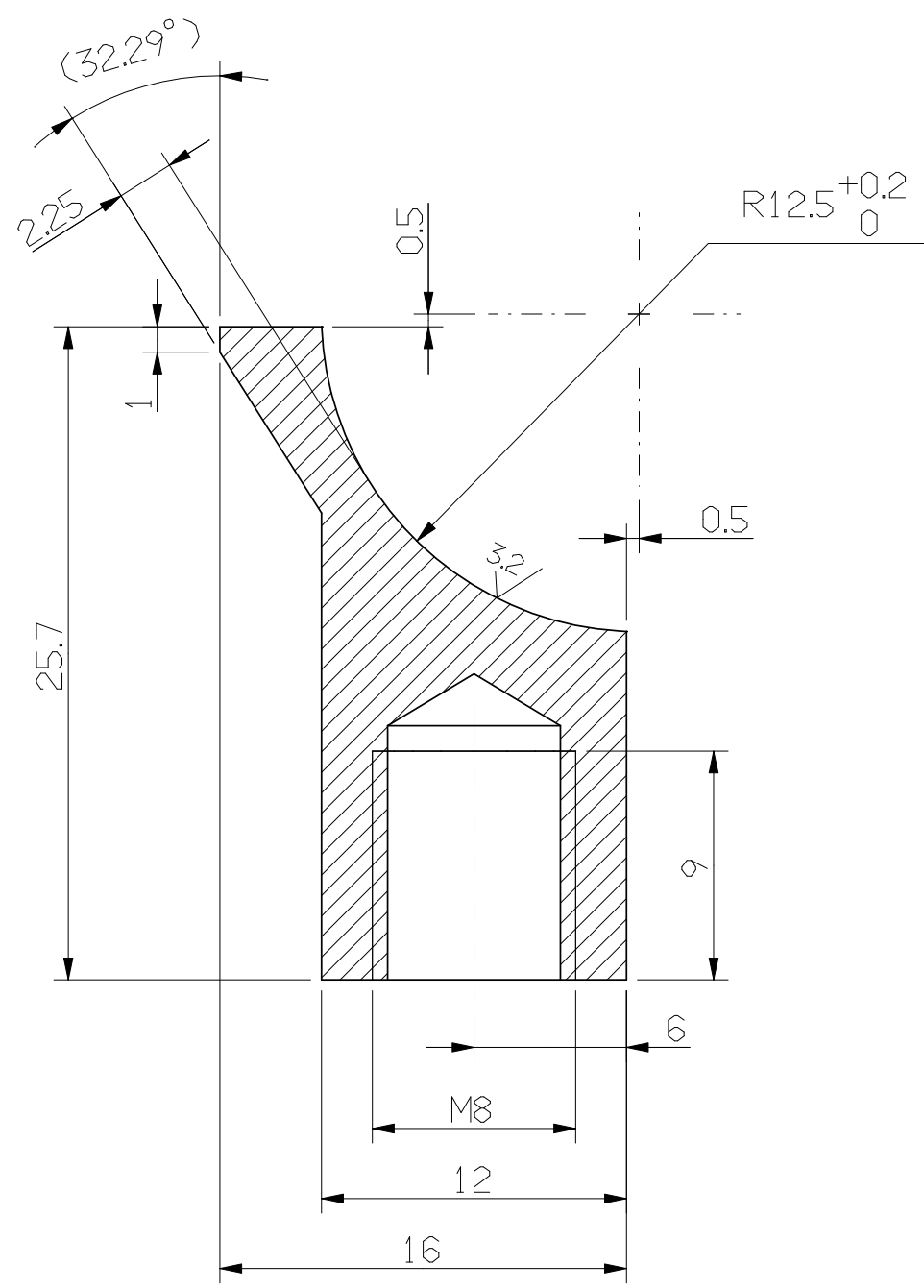
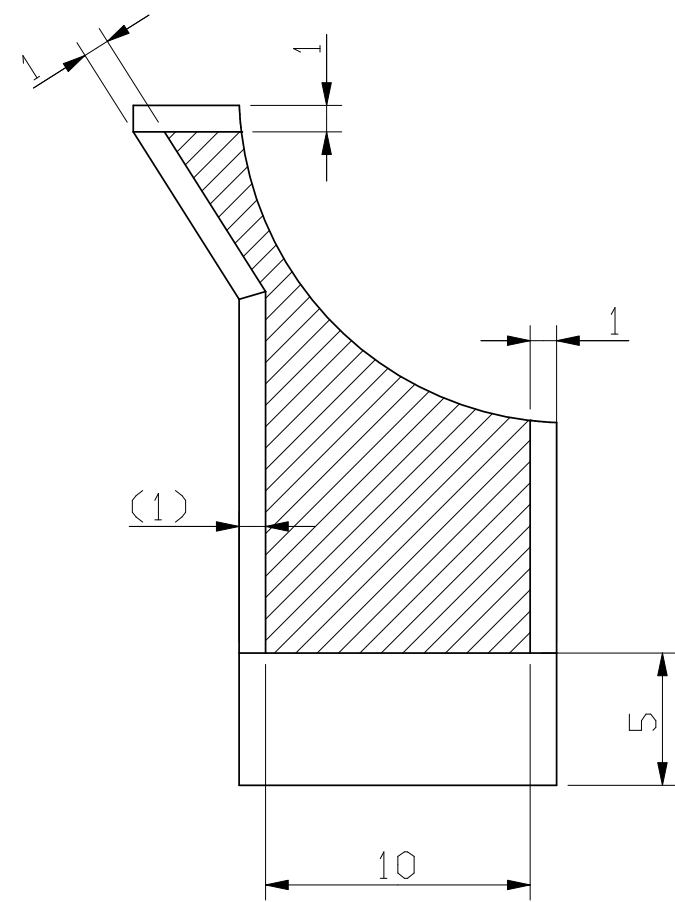
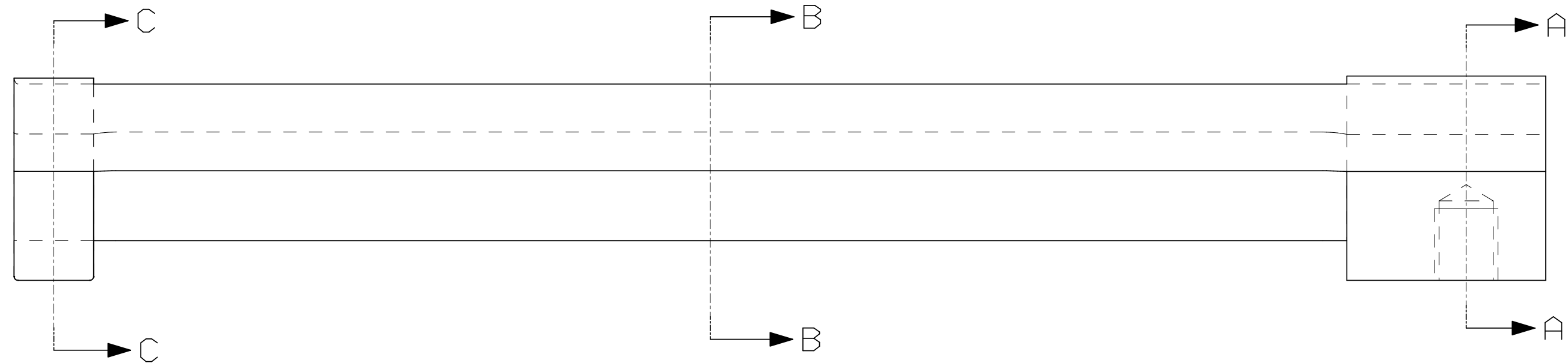
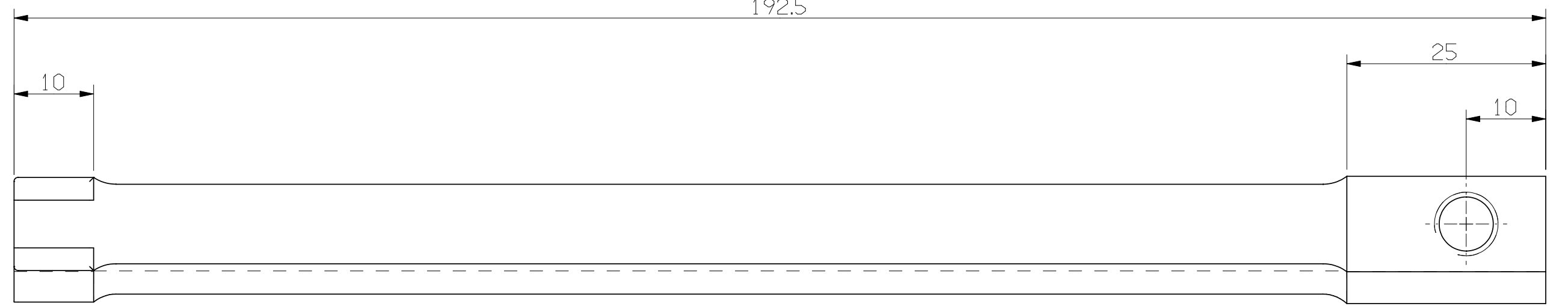


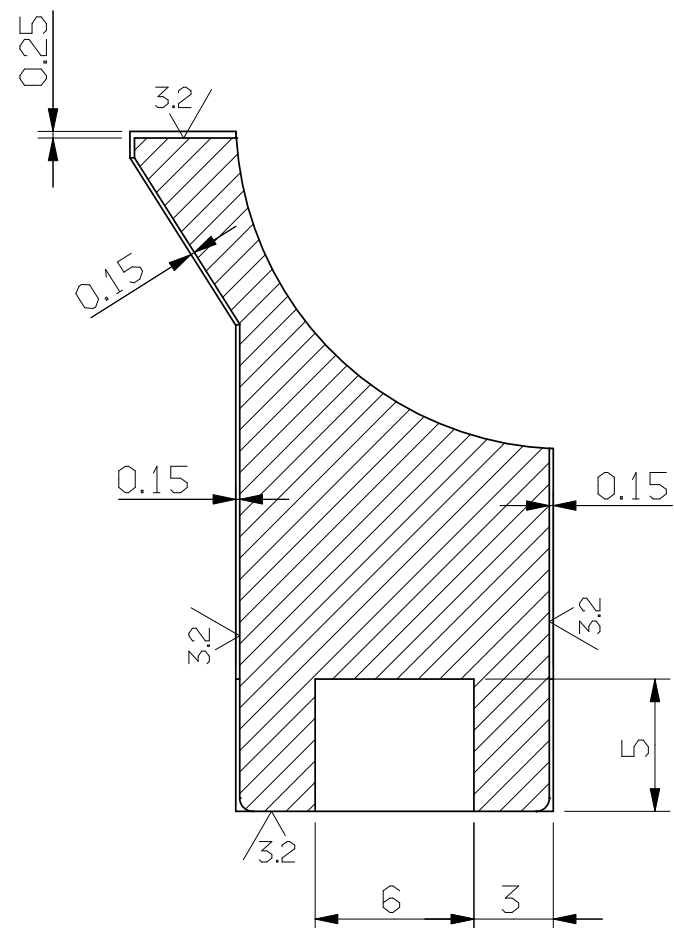
REV.	DESCRIPTION	YEAR MONTH DAY	SIGN.
1	MODEL UPDATED	180628	LAVINE



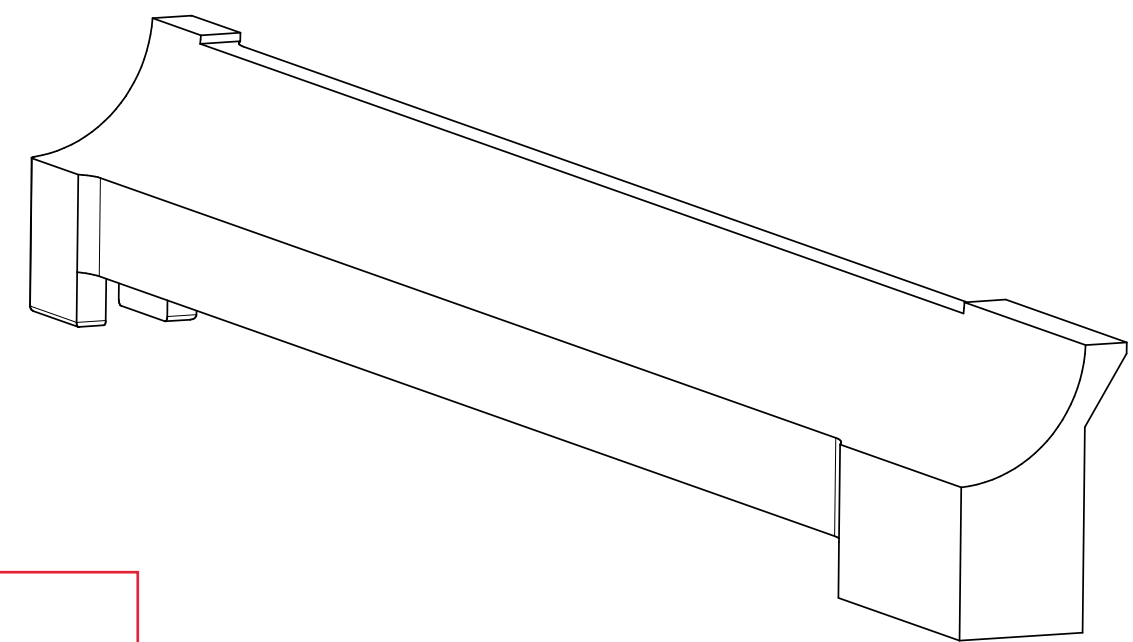
SECTION A-A  
SCALE 7:2



SECTION B-B  
SCALE 7:2



SECTION C-C  
SCALE 7:2



Kooperace:  
**KJBT1189**

MATERIAL NO 600023ED	MATERIAL DESCRIPTION PLATE TH= 20		TITLE DOCKING RAIL		UNLESS OTHERWISE STATED ALL TOLERANCES SHOULD BE ACCORDING TO NORM 0015
MATERIAL DIMENSION 193X16	MATERIAL NOTE SS 2333/1.4301/304		DRAWING NUMBER 1367754		
DRAWN LAVINE	YEAR MONTH DAY 180405	SEPARATE PARTS LIST <input type="checkbox"/>	WEIGHT (KG) 0.20	SHEET 1 of 1	
APPROVED LAVINEM	SURFACE TREATMENT ACC. TO NORM. 0017: R-0		SIZE 2		VIEW CONVENTION 
SURFACE ROUGHNESS ✓(✓)			DRAWING NUMBER 1367754		

DO NOT SCALE IF IN DOUBT ASK

This drawing remains the exclusive property of John Bean Technologies AB. It may not, without John Bean Technologies AB's prior written consent, be utilized or copied, reproduced, transmitted or communicated to a third party.