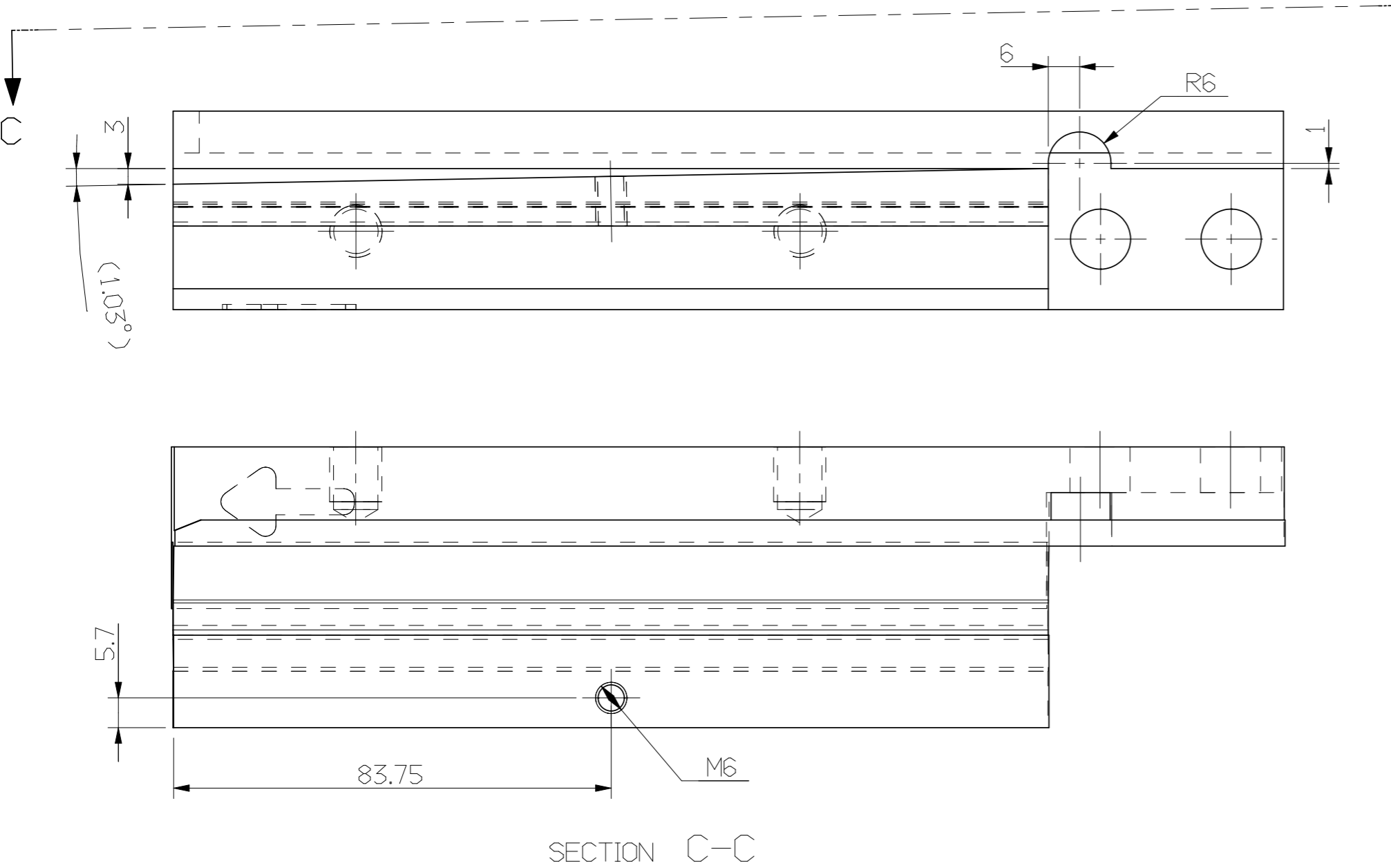
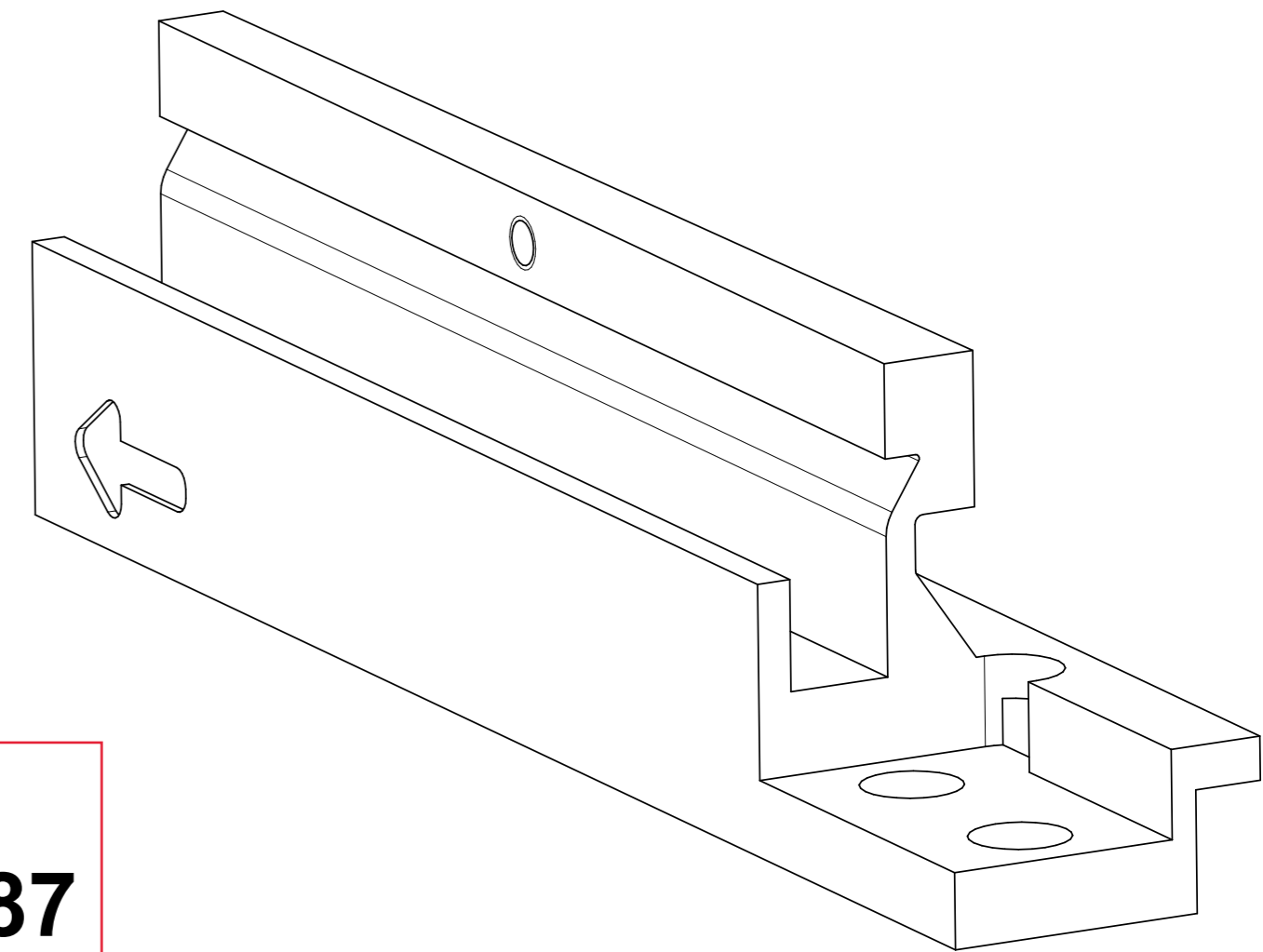
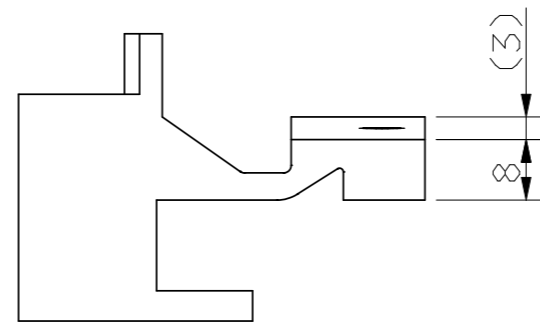
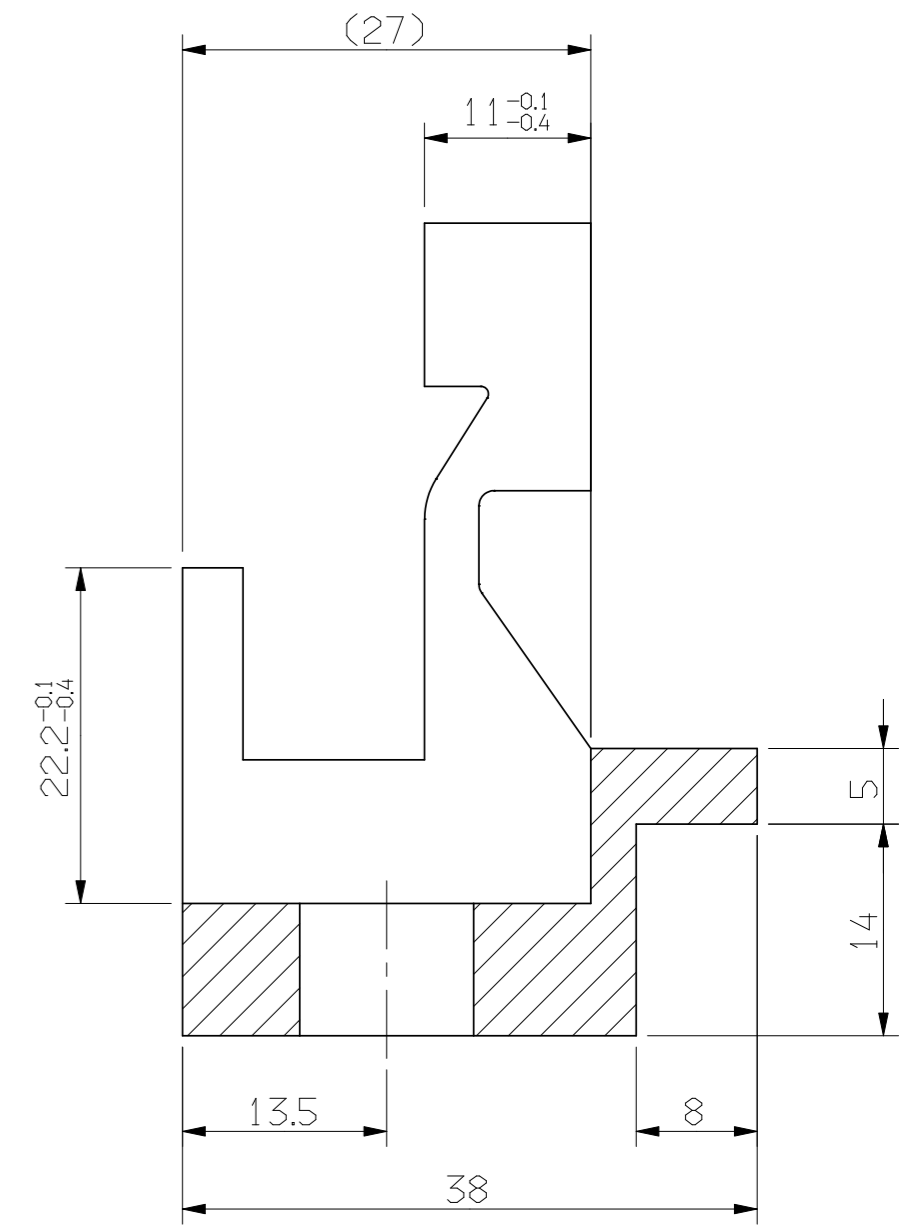
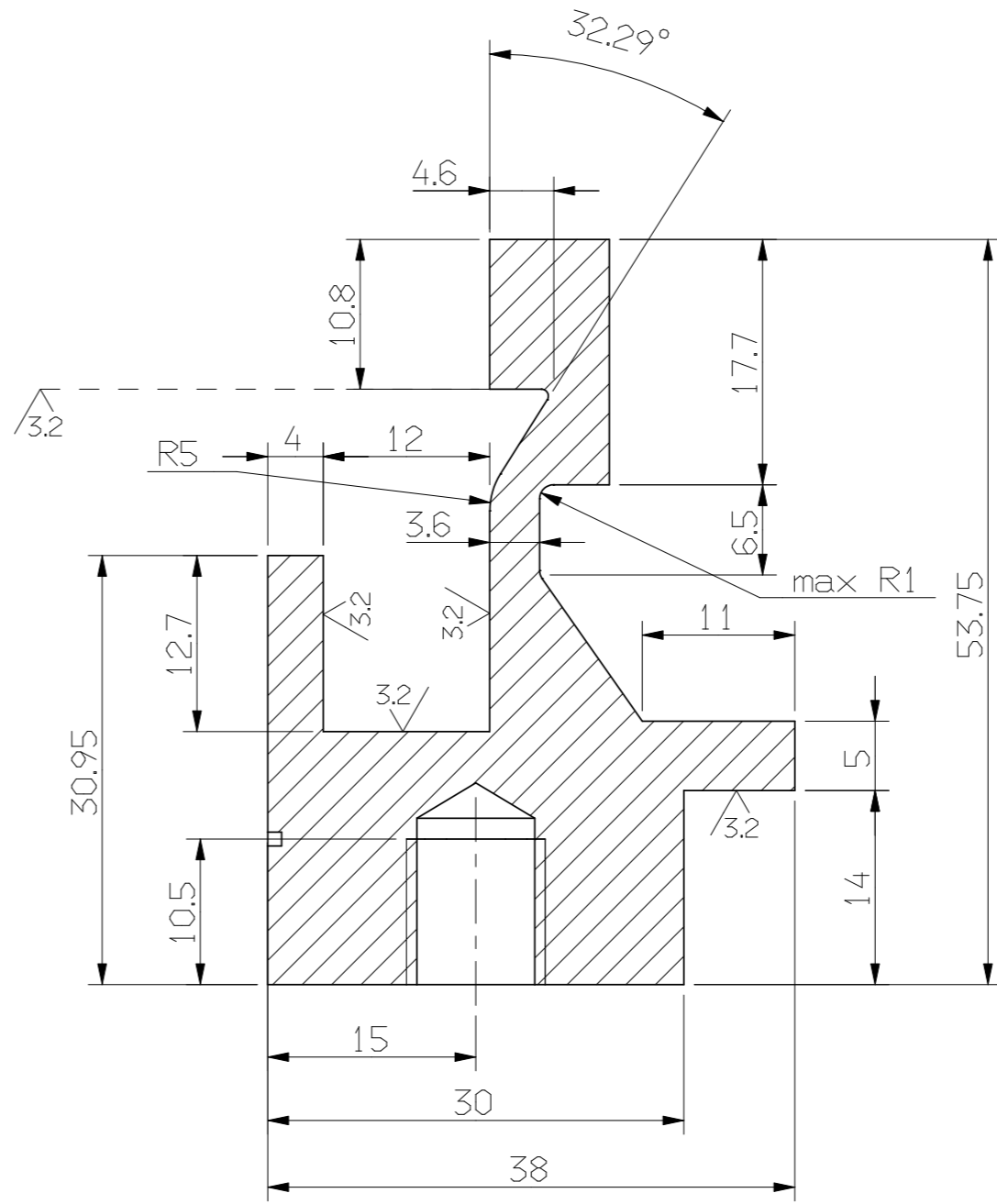
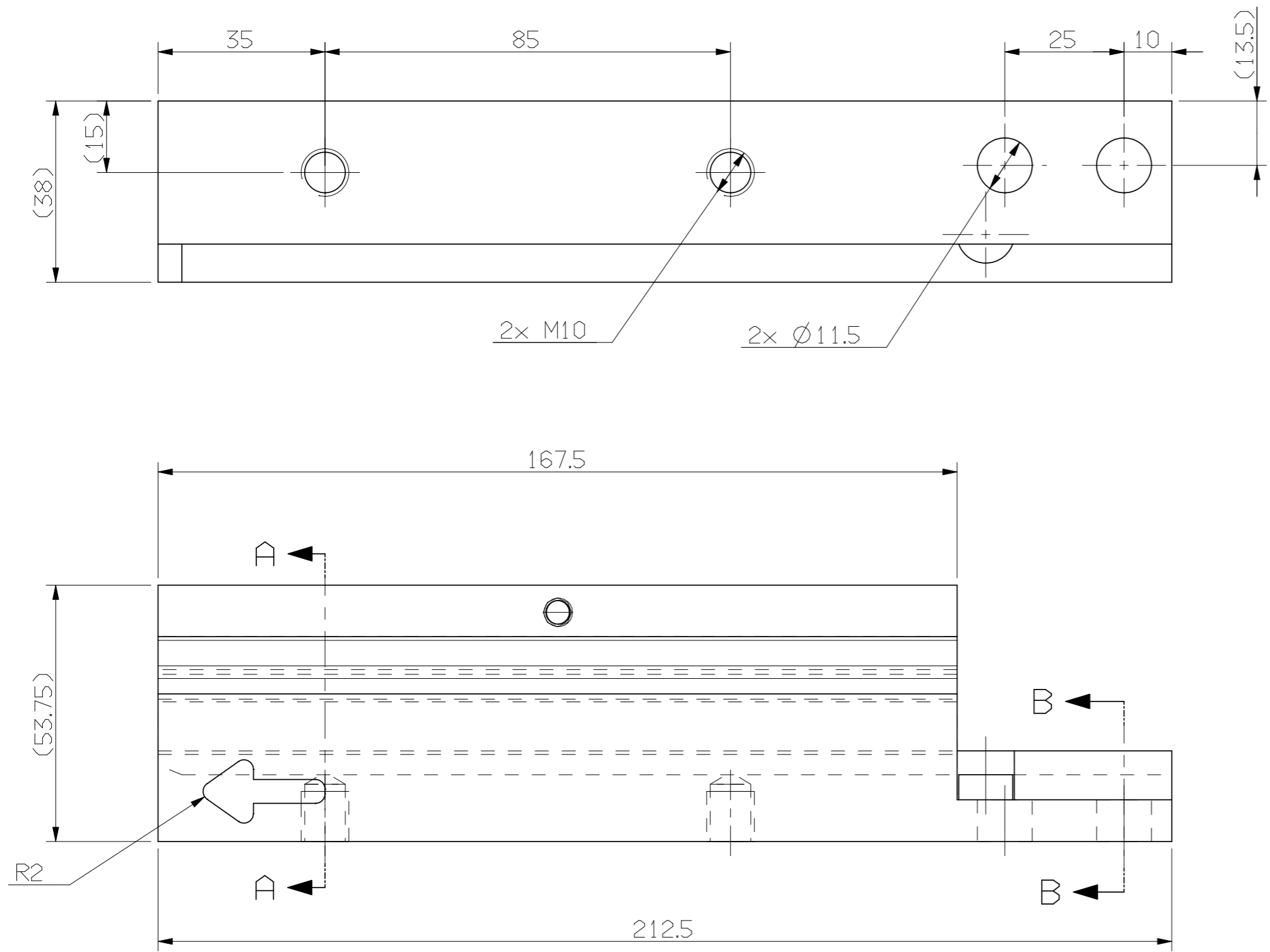


DO NOT SCALE IF IN DOUBT ASK

This drawing remains the exclusive property of John Bean Technologies AB. It may not, without John Bean Technologies AB's prior written consent, be utilized or copied, reproduced, transmitted or communicated to a third party.

REV.	DESCRIPTION	YEAR MONTH DAY	SIGN.
1	MODEL UPDATED	180628	LAVINE



Kooperace:
KJBT1187

MATERIAL NO 600028ED	MATERIAL DESCRIPTION PLATE TH= 40		
MATERIAL DIMENSION 213X54	MATERIAL NOTE SS 2333/1.4301/304		
DRAWN LAVINE	YEAR MONTH DAY 180405	SEPARATE PARTS LIST <input type="checkbox"/>	WEIGHT (KG) 1.27
APPROVED LAVINEM	SURFACE TREATMENT ACC. TO NORM. 0017: R-0		TITLE FIXED TELESCOPE
SURFACE ROUGHNESS ✓ (✓)			DRAWING NUMBER 1367742
		SHEET 1 of 1	SIZE 2
			UNLESS OTHERWISE STATED ALL TOLERANCES SHOULD BE ACCORDING TO NORM 0015