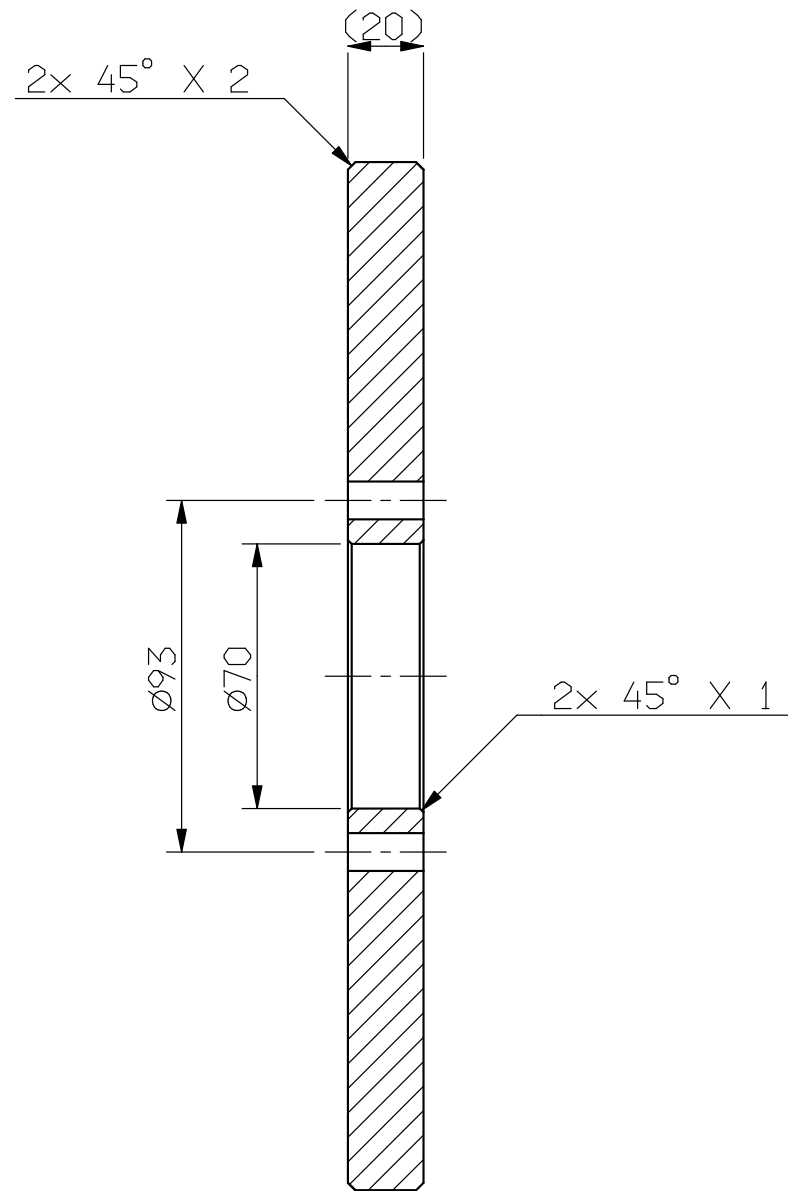


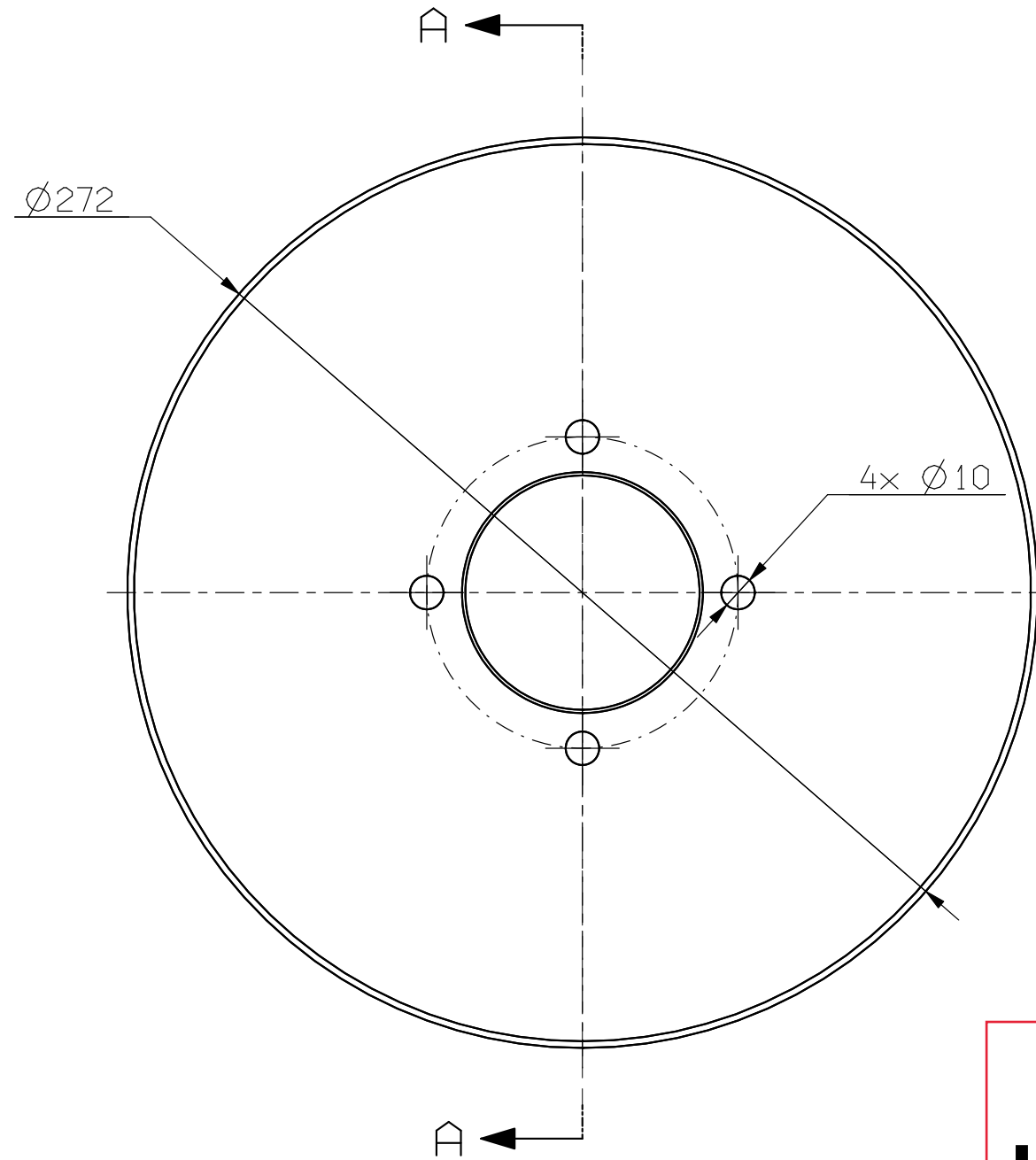
This drawing remains the exclusive property of John Bean Technologies AB.
 It may not, without John Bean Technologies AB's prior written consent, be
 utilized or copied, reproduced, transmitted or communicated to a third party

DO NOT SCALE IF IN DOUBT ASK

REV.	DESCRIPTION	YEAR MONTH DAY	SIGN.
0			



SECTION A-A



Kooperace:
KJBT1185

MATERIAL NO 600112MC		MATERIAL DESCRIPTION PLATE TH= 20		
MATERIAL DIMENSION Ø272		MATERIAL NOTE ACETAL POM WHITE		
DRAWN LAVINE	YEAR MONTH DAY 180404	SEPARATE PARTS LIST <input type="checkbox"/>	TITLE PULLEY WHEEL	
APPROVED LAVINEM	SURFACE TREATMENT ACC. TO NORM:		UNLESS OTHERWISE STATED ALL TOLERANCES SHOULD BE ACCORDING TO NORM 0015	
SURFACE ROUGHNESS ✓ (✓)			DRAWING NUMBER 1367735	SHEET 1 of 1
			SIZE 3	 VIEW CONVENTION