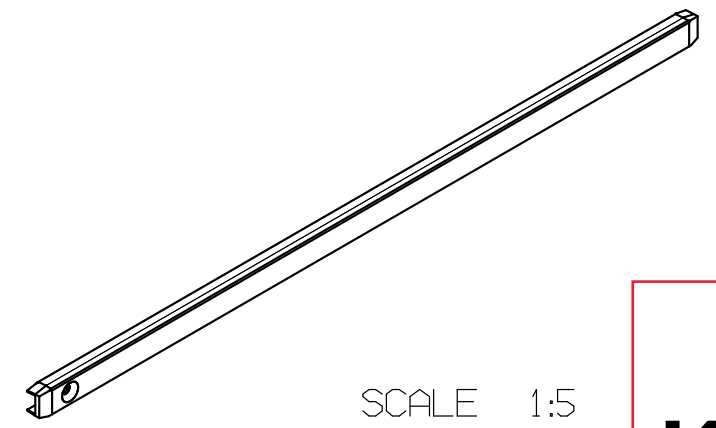
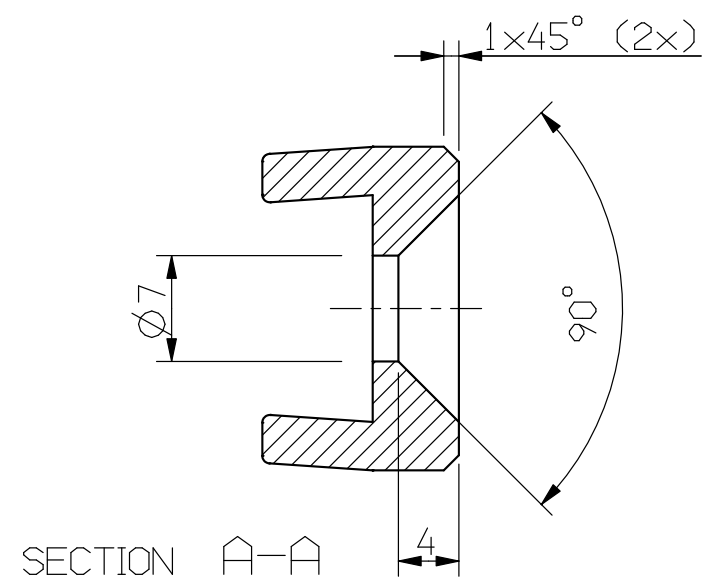
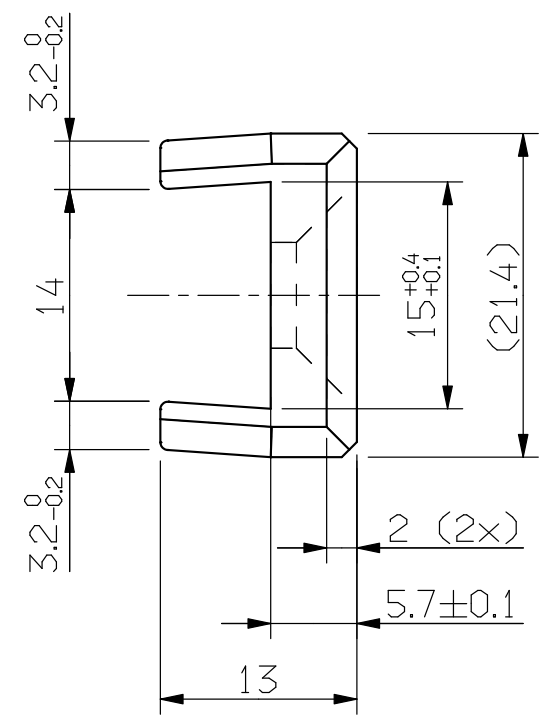
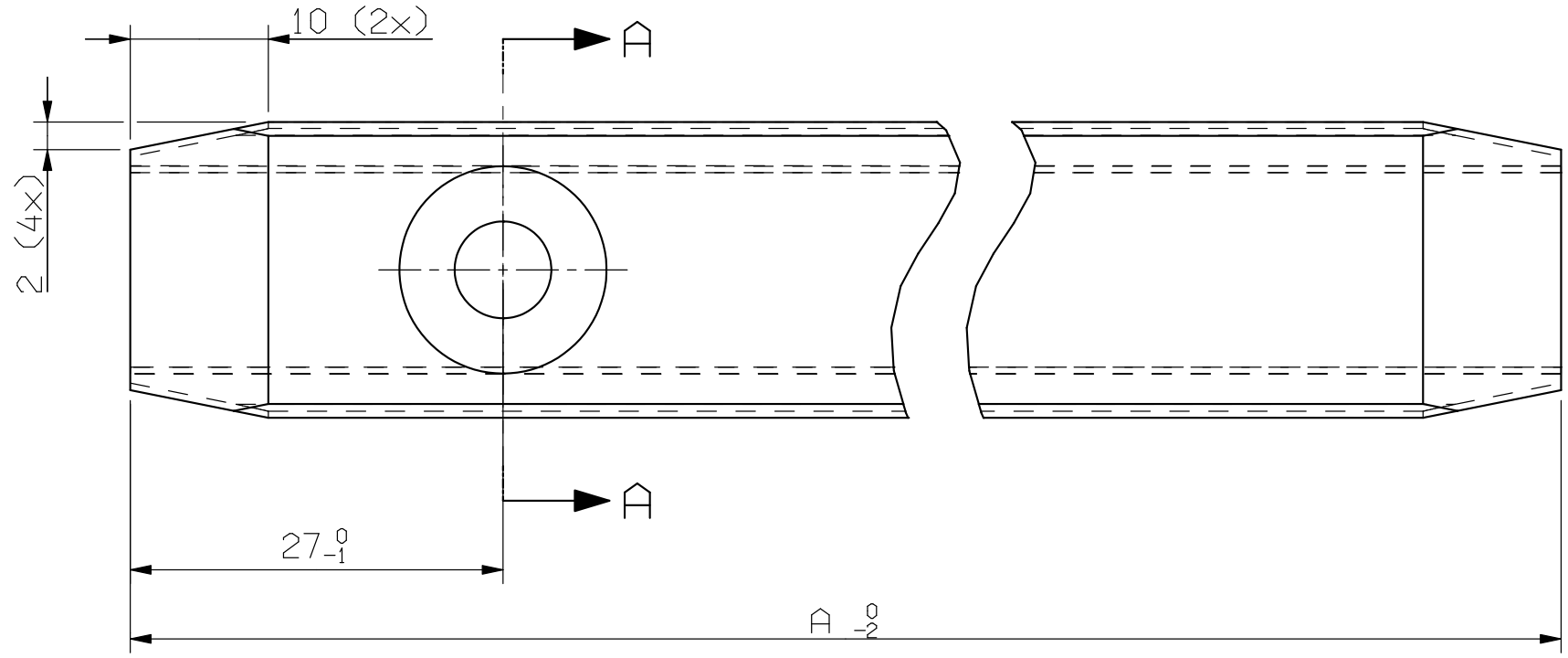


DO NOT SCALE IF IN DOUBT ASK

REV.	DESCRIPTION	YEAR MONTH DAY	SIGN
7	630 WAS 620	161006	EBERLU



SCALE 1:5

Kooperace:  
**KJBT1184**

123820R	630	L=630	
123820P	735	L=735	
123820O	502	L=502	
123820N	542	L=542	
123820M	534	L=535	
123820L	570	L=570	
123820K	546	L=546	
123820J	555	L=555	
123820I	525	L=525	
123820H	400	L=400	
123820G	519	L=519	
123820F	558	L=558	
123820E	591	L=591	
123820D	599	L=599	
123820C	557	L=557	
123820B	563	L=563	
123820A	613	L=613	
VARIANT	A	NOTE	



POS	ITEM NO	DWG	DESCRIPTION	QTY	DIMENSION	NOTE
DRAWN	K21	YEAR MONTH DAY 911212	SEPARATE PARTS LIST <input checked="" type="checkbox"/>	<h1>GLIDE STRIP</h1>		UNLESS OTHERWISE STATED ALL TOLERANCES SHOULD BE ACCORDING TO NORM 0015
APPROVED	SURFACE TREATMENT ACC. TO NORM:		<h1>DRAWING NUMBER</h1> <h1>123820</h1>			
SURFACE ROUGHNESS			SHEET	SIZE		
✓ (✓)			1 of 1	3		

This drawing remains the exclusive property of John Bean Technologies AB. It may not, without John Bean Technologies AB's prior written consent, be utilized or copied, reproduced, transmitted or communicated to a third party.