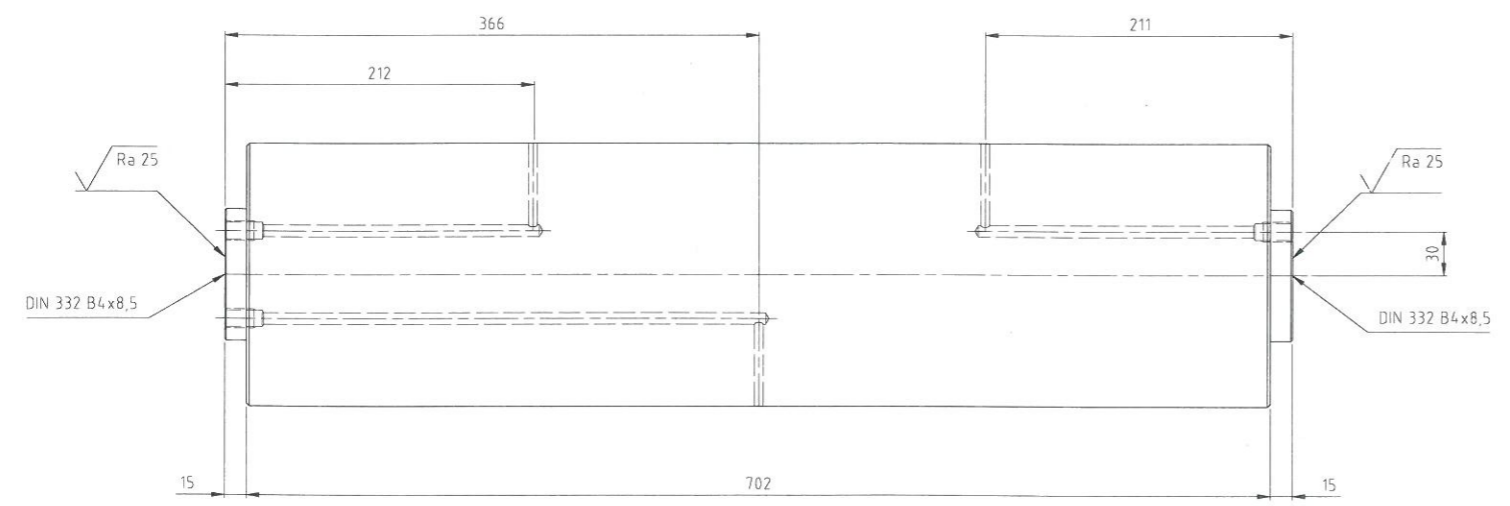
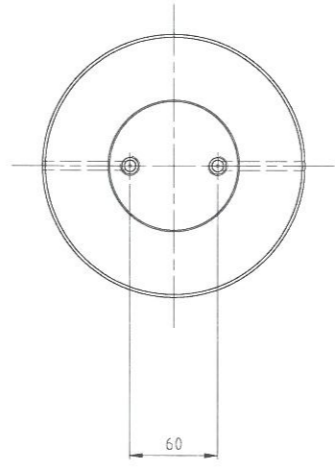
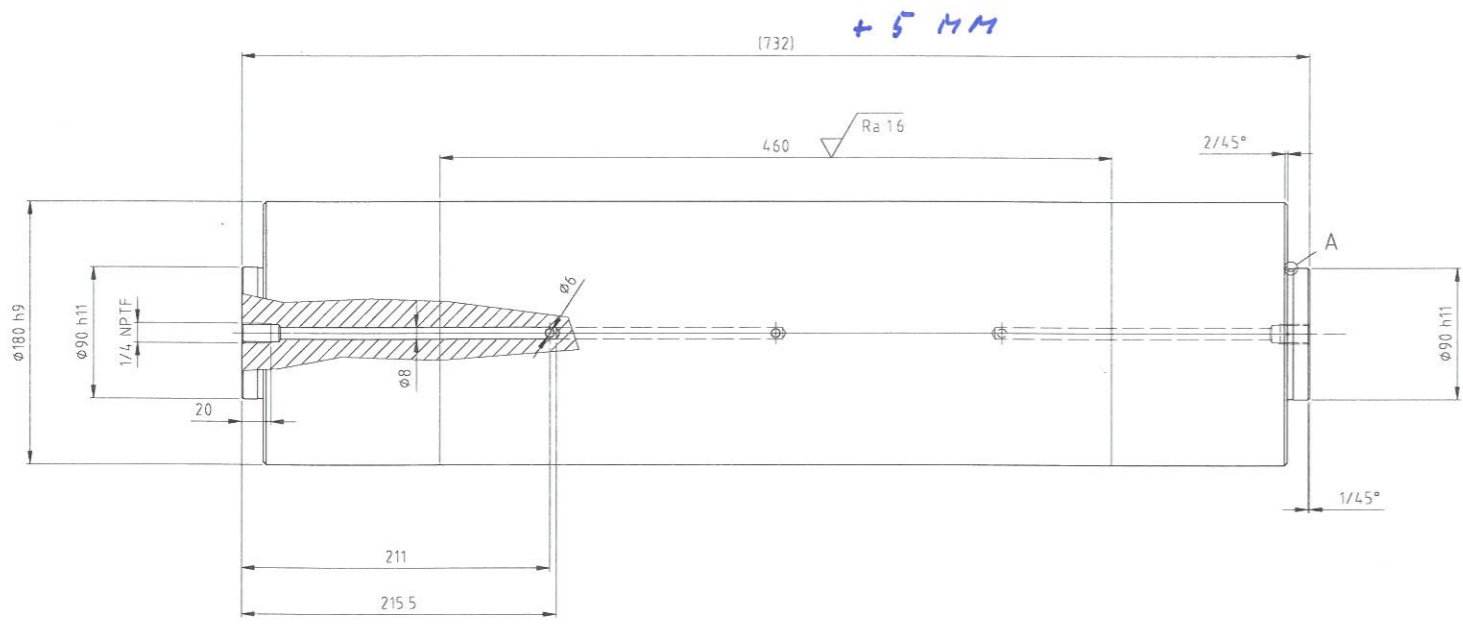
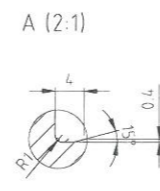


| | | | |
|---|--------------------------------------|---------|-------------------|
| Werkstoff / Material | X3CrNiMo13-4 (1.4313) QT650 or QT780 | | |
| Material Treatment | tempered | | |
| Zugfestigkeit / Tensile Strength | Rm | 800 | N/mm ² |
| Streckgrenze bzw. Dehngrenze / Yield point or Proof stress | ReH bzw. Rp0.2 | min 550 | N/mm ² |
| Bruchdehnung / Ultimate Elongation | A5 | min 15 | % |
| Kerbschlagarbeit / Impact force | Av (DVM-Probe) | min 50 | J |
| Hardness | HRC | | |
| Einhärtungstiefe / Hardening depth | Eht, Rht, Nht | | |
| Die angegebenen Werte gelten fuer den Verzahnungsbereich The values specified apply to the area of the teeth | | | |



**** DATUM REFERENCE: ALL ELEVATIONS ARE IN METRES REFERENCED TO GEODETIC. COORDINATE REFERENCE: UTM 6° (UNIVERSAL TRANSVERSE MERCATOR) PROJECTION, NAD83, ZONE _ CENTRAL MERIDIAN 63° 00' W LONGITUDE. ****

| ISSUE | REV. | DATE | DISTRIBUTION & STATUS | REFERENCE DRAWING | No. | DATE | REVISION | MOD. | VER. | APP. | NE-LCP MANAGEMENT: | PROJECT MANAGER: |
|-------|------|------------|-------------------------|-------------------------------|--|------|----------|------|------|------|--------------------|------------------|
| 02 | C1 | 29.05.2015 | ISSUED FOR CONSTRUCTION | MFA-4H-SD-3200-PE-800-0001-01 | GENERAL ARRANGEMENT | | | | | | | |
| 01 | A1 | 20.04.2015 | ISSUED FOR REVIEW | MFA-9H-SD-3200-PE-PL-0006-01 | INTAKE GATES - PLAN, SECTIONS AND DETAIL | | | | | | | |

***** FOR INTERNAL USE ONLY *****

| | |
|--|-----------------------|
| REVIEW CLASS: | EQUIPMENT TAG NUMBER: |
| REVIEW DOES NOT CONSTITUTE APPROVAL OF DESIGN DETAILS, CALCULATIONS, TEST METHODS OR MATERIAL DEVELOPED AND/OR SELECTED BY THE CONTRACTOR, NOR DOES IT RELIEVE THE CONTRACTOR FROM FULL COMPLIANCE WITH CONTRACTUAL OR OTHER OBLIGATION: | |
| <input type="checkbox"/> 1. REVIEWED AND ACCEPTED - NO COMMENTS <input type="checkbox"/> 2. REVIEWED - INCORPORATE COMMENTS, REVISE & RESUBMIT <input type="checkbox"/> 3. REVIEWED - NOT ACCEPTED <input type="checkbox"/> 4. INFORMATION ONLY <input type="checkbox"/> 5. NOT REVIEWED | |
| LEAD REVIEWER: | Date (dd-mm-yyyy): |
| NE-LCP MANAGEMENT: | Date (dd-mm-yyyy): |
| PROJECT MANAGER: | Date (dd-mm-yyyy): |