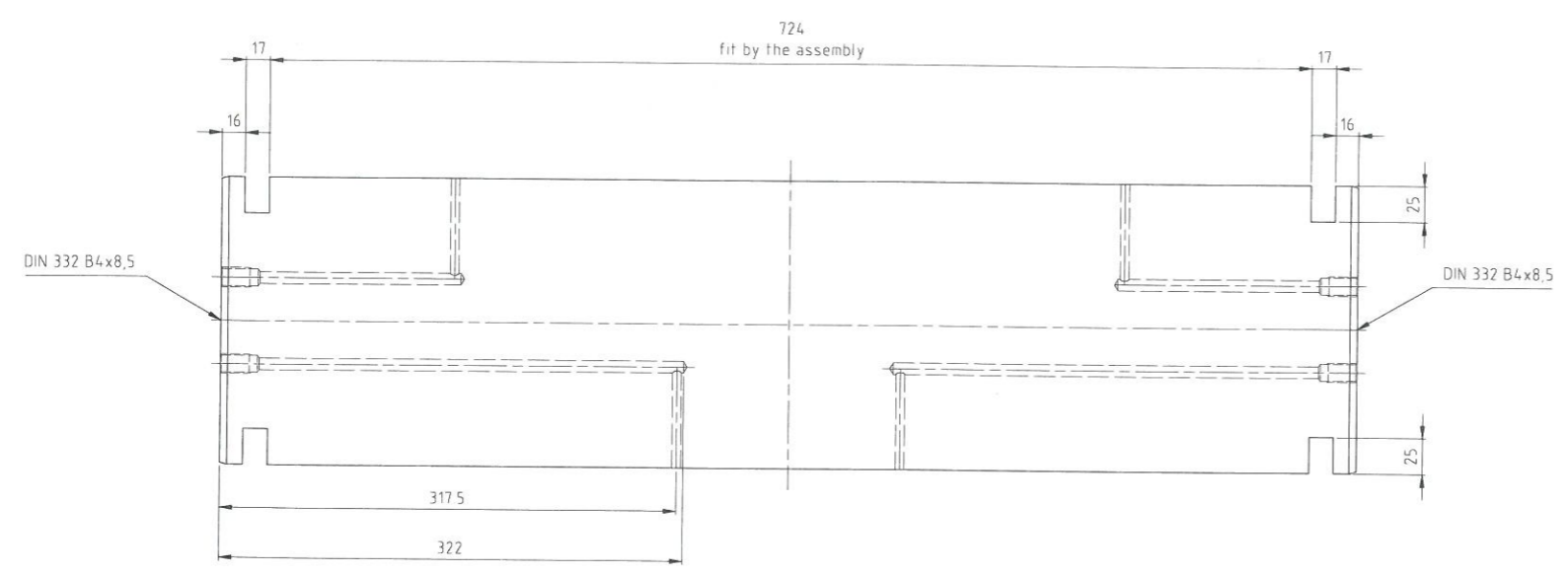
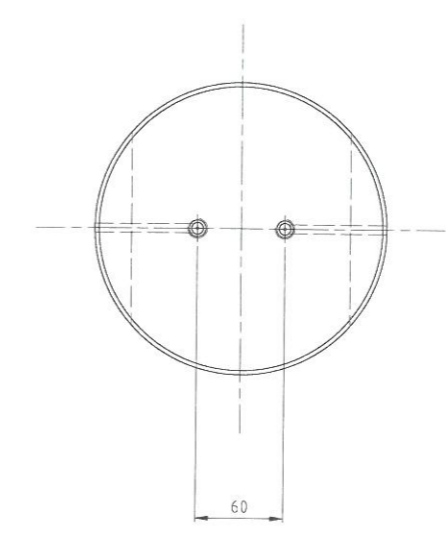
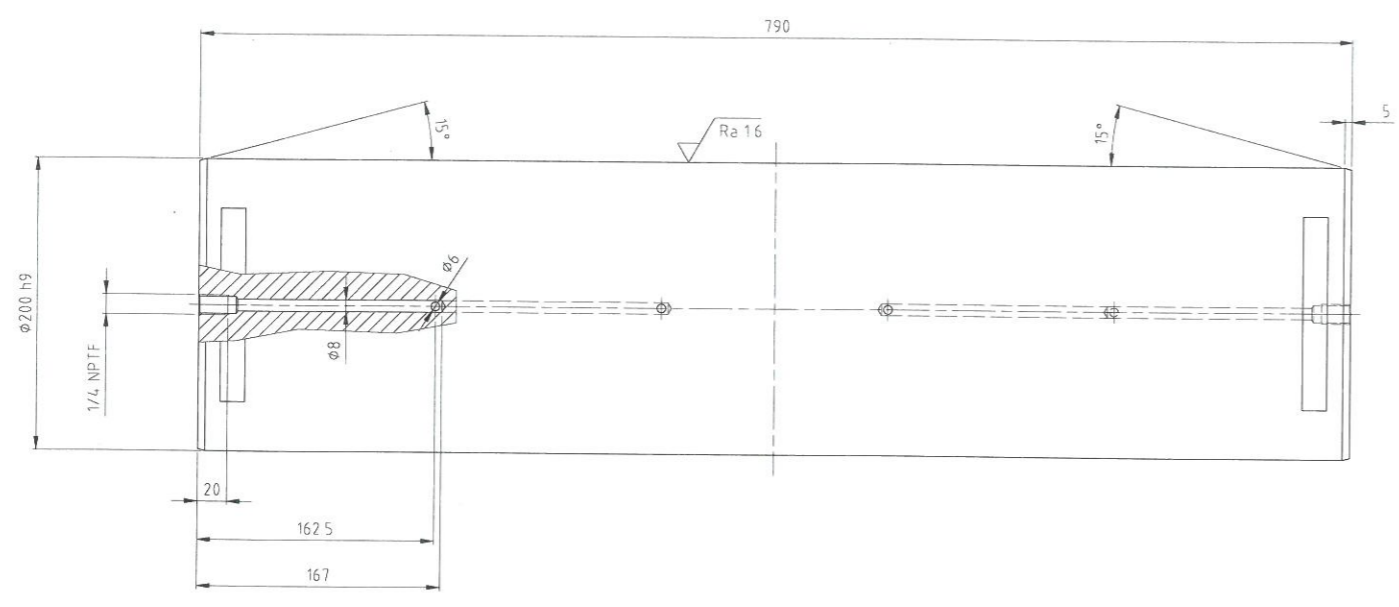


Werkstoff / Behandi.-Zust.	X3CrNiMo13-4 (1.4313) QT650 or QT780	
Material Treatment	tempered	
Zugfestigkeit	R _m	800 N/mm ²
Tensile Strength		
Streckgrenze bzw. Dehngrenze	R _{elH} bzw. R _{p0.2}	min 550 N/mm ²
Yield point or Proof stress		
Bruchdehnung	A ₅	min 15 %
Ultimate Elongation		
Kerbschlagarbeit	A _v (DVM-Probe)	min 50 J
Impact Energy		
Hardness	HRC	
Enthärtungstiefe	E _{ht} , R _{ht} , N _{ht}	
Hardening depth		
Die angegebenen Werte gelten fuer den Verzahnungsbereich The values specified apply to the area of the teeth		



48x

***** DATUM REFERENCE: ALL ELEVATIONS ARE IN METRES REFERENCED TO GEODETIC. COORDINATE REFERENCE: UTM 6° (UNIVERSAL TRANSVERSE MERCATOR) PROJECTION, NAD83, ZONE _ CENTRAL MERIDIAN 63° 00' W LONGITUDE. *****

ISSUE REGISTER		REFERENCE DRAWING		REVISION REGISTER			MOD. VER. APP.		
ISSUE	REV.	DATE	DISTRIBUTION & STATUS	No.	DATE	REVISION	MOD.	VER.	APP.
02	C1	29.05.2015	ISSUED FOR CONSTRUCTION	MFA-AH-SD-3242-ME-801-0004-01		GENERAL ARRANGEMENT			
01	A1	20.04.2015	ISSUED FOR REVIEW	MFA-SH-CD-3242-ME-PL-0006-01		INTAKE GATES - PLAN, SECTIONS AND DETAIL			

FOR INTERNAL USE ONLY	
REVIEW CLASS:	EQUIPMENT TAG NUMBER:
REVIEW DOES NOT CONSTITUTE APPROVAL OF DESIGN DETAILS, CALCULATIONS, TEST METHODS OR MATERIAL DEVELOPED AND/OR SELECTED BY THE CONTRACTOR, NOR DOES IT RELIEVE THE CONTRACTOR FROM FULL COMPLIANCE WITH CONTRACTUAL OR OTHER OBLIGATIONS.	
<input type="checkbox"/> 1. REVIEWED AND ACCEPTED - NO COMMENTS <input type="checkbox"/> 2. REVIEWED - INCORPORATE COMMENTS, REVISE & RESUBMIT <input type="checkbox"/> 3. REVIEWED - NOT ACCEPTED <input type="checkbox"/> 4. INFORMATION ONLY <input type="checkbox"/> 5. NOT REVIEWED	
LEAD REVIEWER:	Date (dd-mm-yyyy):
RE-LCP MANAGEMENT:	Date (dd-mm-yyyy):
PROJECT MANAGER:	Date (dd-mm-yyyy):