



Killeshal Precast Concrete Ltd
Daingain, Co. Offaly, Ireland

Tel: +353 57 9353018

Fax: +353 57 9353272

E-Mail: sales@killeshal.com

Web: www.killeshal.com

G/10

Killeshal D400 Cover & Frame to
Suit G/5

Doc Ref:-Kilform 286/04/08

Rev Lvl 7

Drawn By A.M. 09/06/2011

Approved By

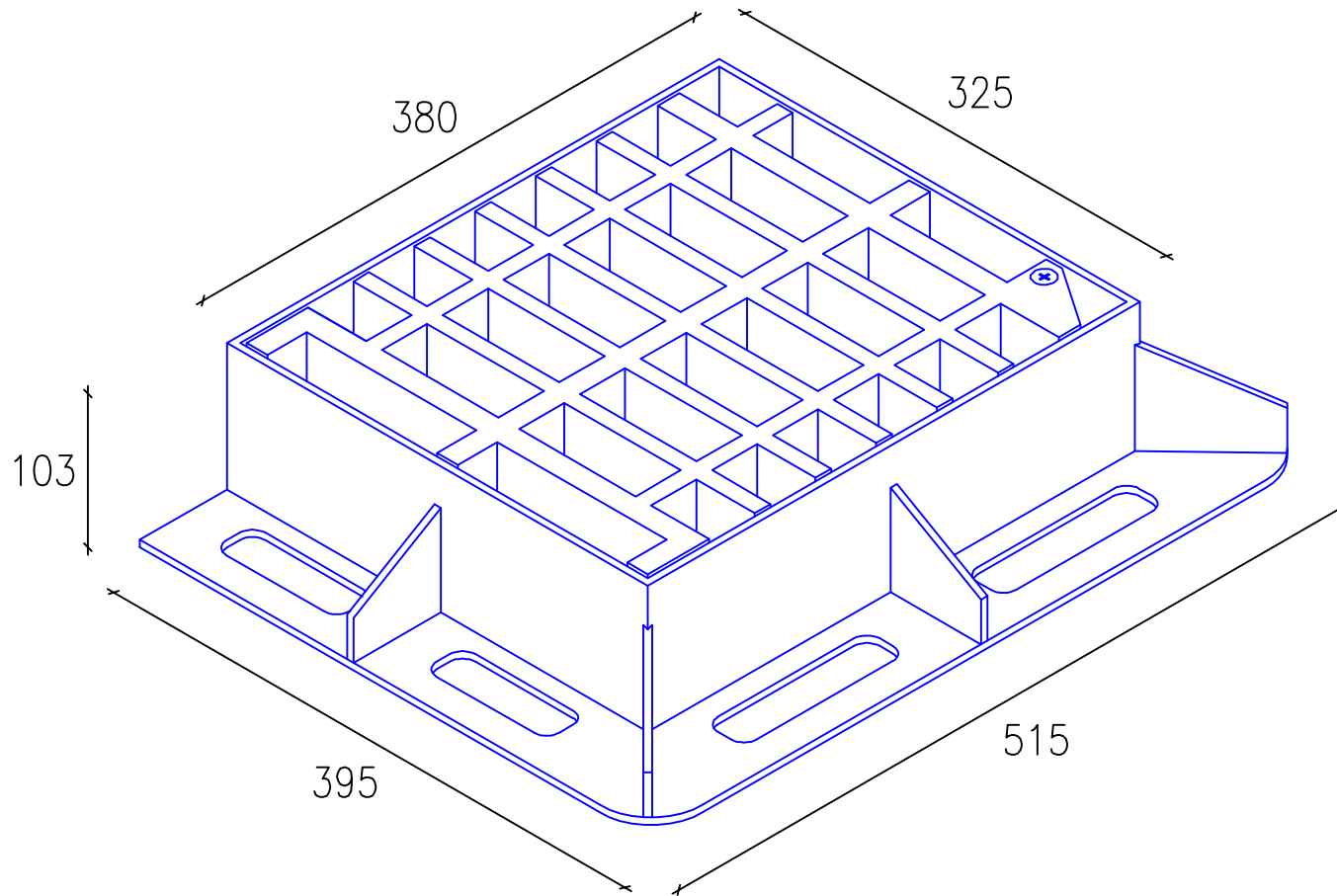
Approx Weight 30 Kgs

P.N. 09/06/11

Note: All Vertical
Faces Would Typically
have a Taper of 4
mm in 100 mm.

All dimensions as per drawing and allowable tolerances		Bolts as per specification and drawing		Quantity as per order		Welding visually correct	
Number of moulds accepted	Number of moulds Rejected	Reason for rejection			Date	Checkers initials	

Moulds:-
Machine.



Scale (1:5)