



Killeshal Precast Concrete Ltd  
Daingain, Co. Offaly, Ireland

Tel: +353 57 9353018

Fax: +353 57 9353272

E-Mail: sales@killeshal.com

Web: www.killeshal.com

G/9

Killeshal C250 Free Flow Cover &  
Frame To Suit G/1 & G/2

Doc Ref: -Kilform 286/04/08 Rev Lvl 7

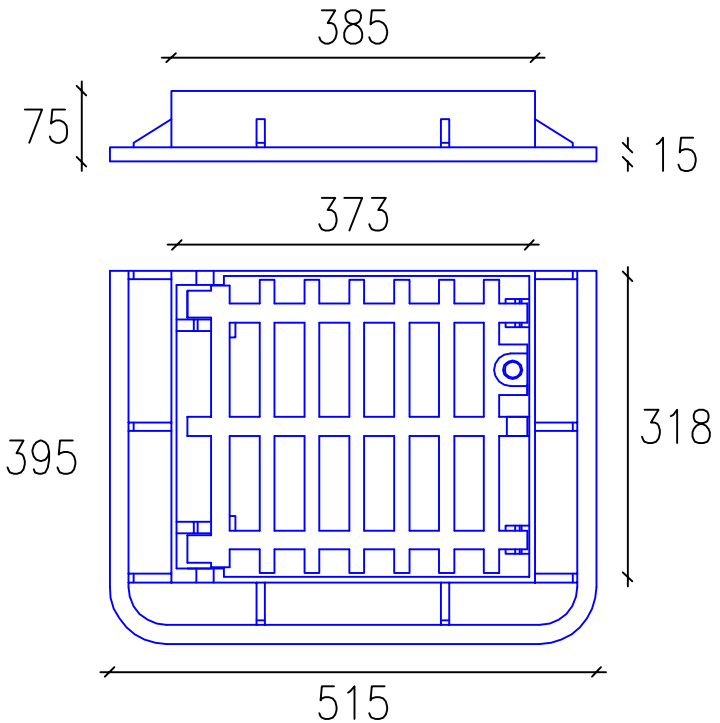
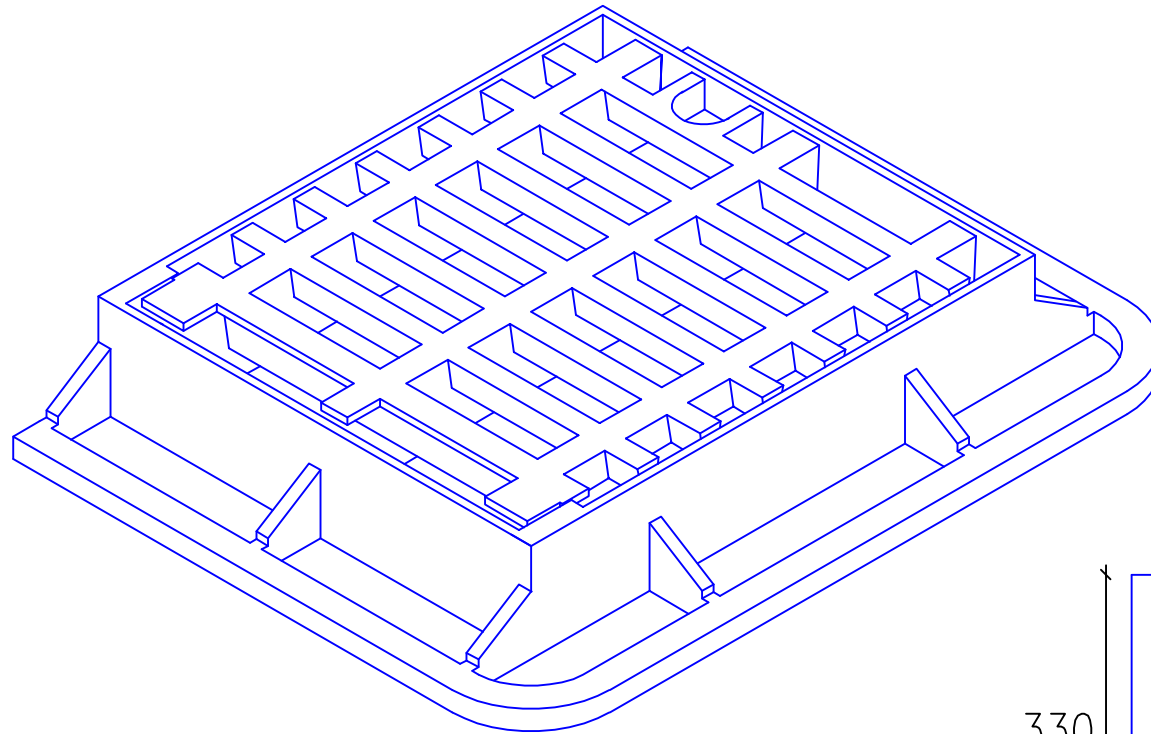
Drawn By A.M. 09/06/2011 Approved By

Approx Weight 26 Kgs P.N. 09/06/11

Note: All Vertical  
Faces Would Typically  
have a Taper of 4  
mm in 100 mm.

All dimensions as per drawing and allowable tolerances		Bolts as per specification and drawing		Quantity as per order		Welding visually correct	
Number of moulds accepted	Number of moulds Rejected	Reason for rejection			Date	Checkers initials	

Moulds:-  
Machine.



Scale (1:8)