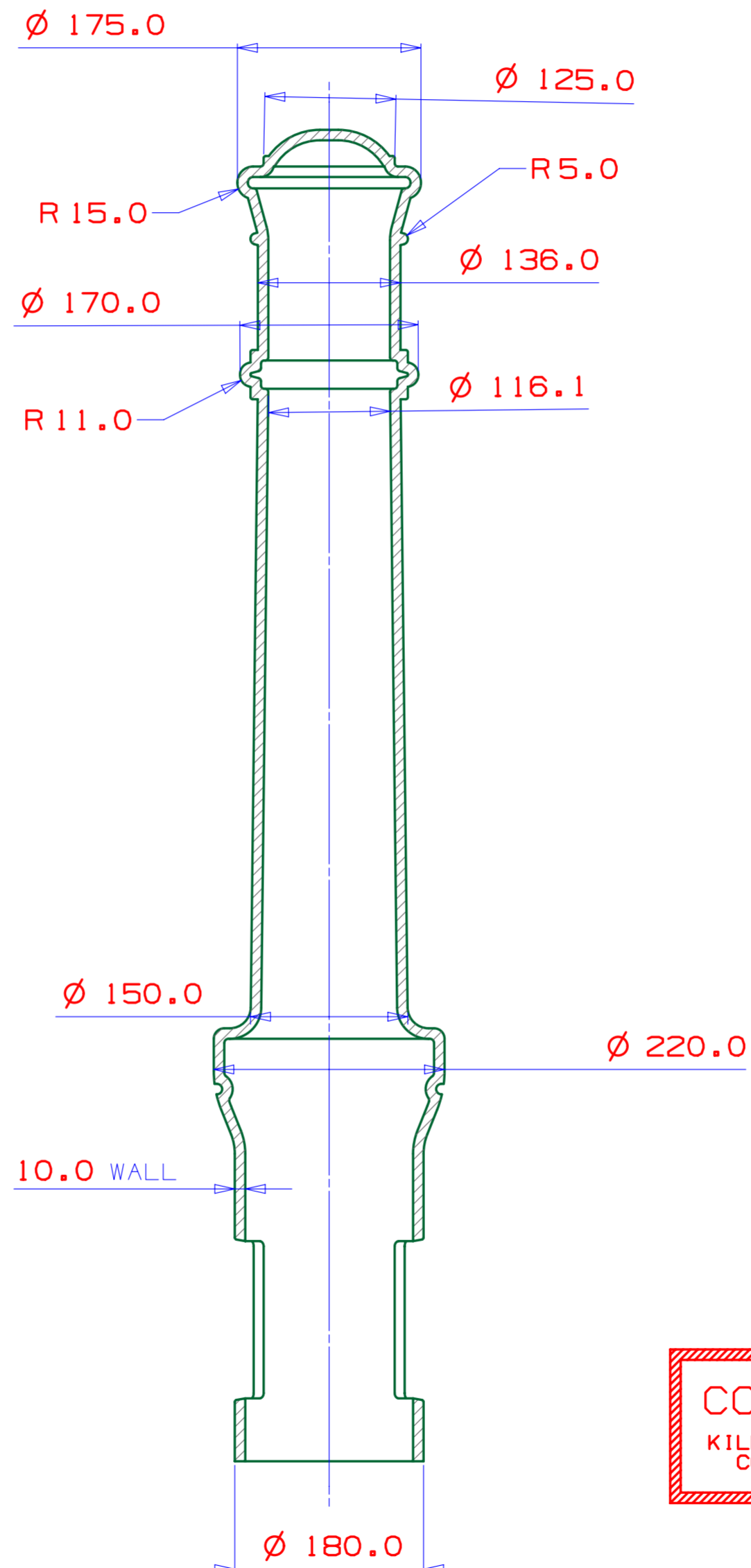
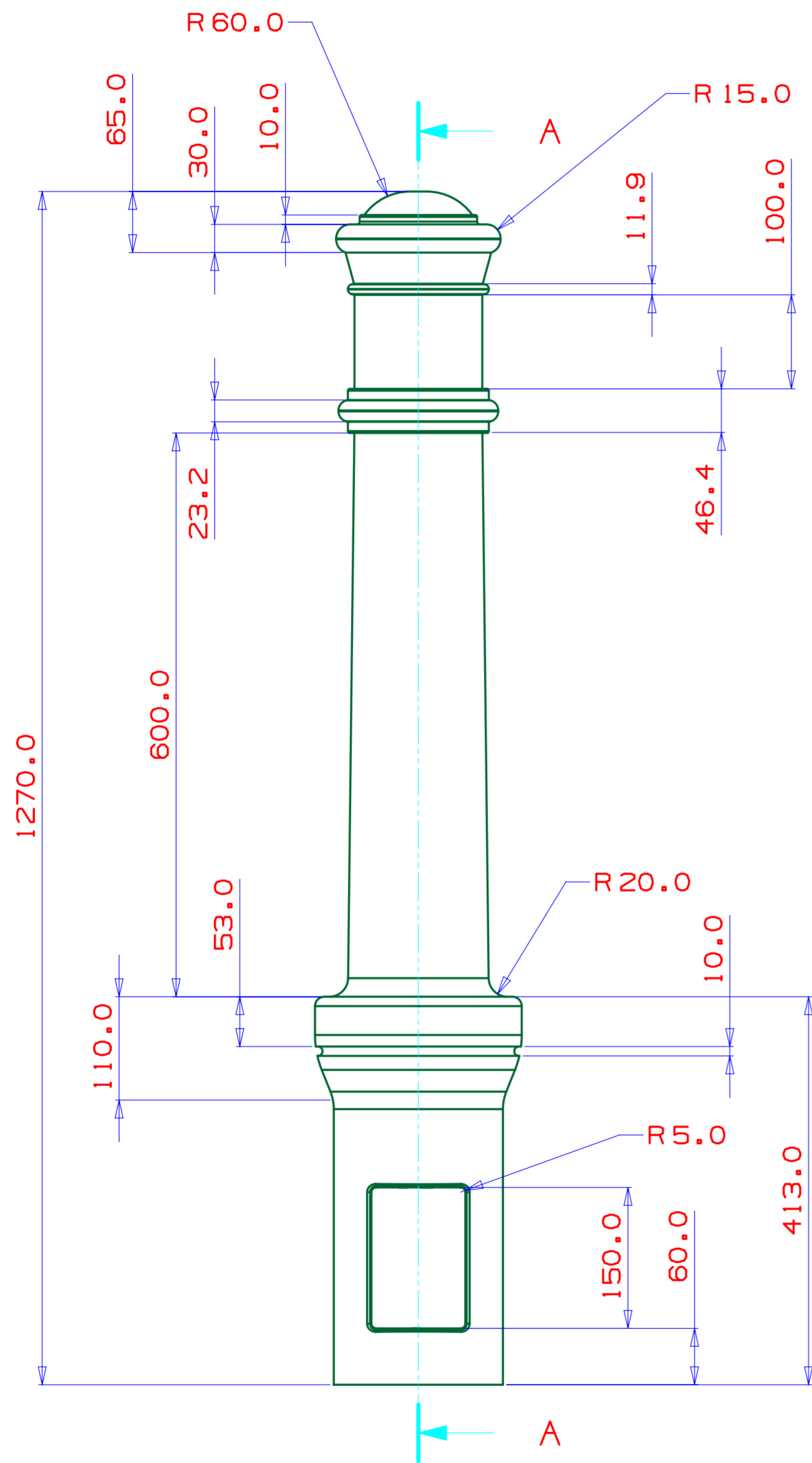
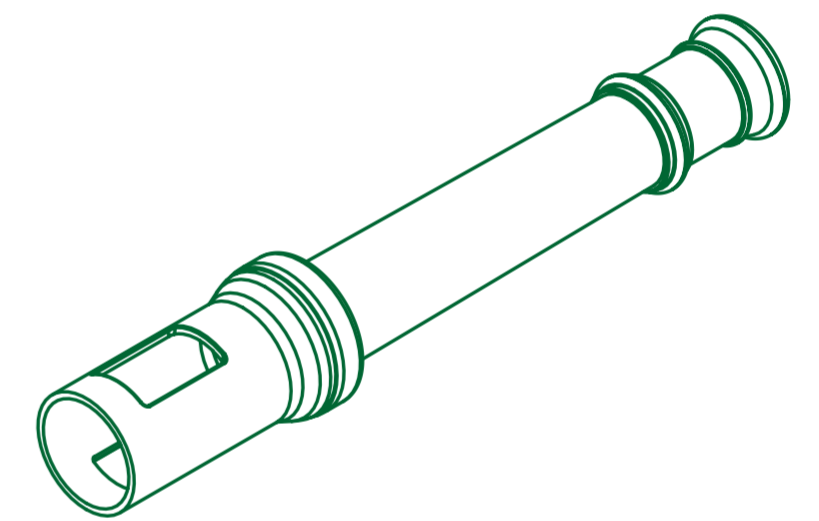


DRAWING NO. 7DD004-03			ISSUE A	DATE 25.03.2013	
ISSUE	CHANGE NOTE NO	CHANGE	BY	LOCN	DATE
A	-	RELEASE	SMcC	-	23.03.2013



SECTION A - A



ISO VIEW
(Scale 1:10)

COPYRIGHT
 KILLESHAL PRECAST
 CONCRETE LTD.

		CHANGE RESTRICTED NO MANUAL CHANGE	
MATERIAL : CAST IRON		MATL SPEC NO. -	
FINISH :			
CALCULATED WEIGHT = 43.1 KG (DENSITY = 7200 kg/m ³ & VOLUME = 5992 cc)			
CAD REF 7DD004-03A	PART NO. -	SIZE A2	
THIS DRAWING IS THE PROPERTY OF CADPAC AND REPRESENTS CONFIDENTIAL INFORMATION AND MAY NOT BE DISCLOSED IN ANY WAY WITHOUT THE WRITTEN CONSENT OF CADPAC CADPAC 15 BARRETTSTOWN LAWS NEWBRIDGE, COUNTY KILDARE IRELAND TEL: 353 45 438839 Mob: 353 87 1623753 EMAIL: sean@cadpac.ie			
DRAWN BY SMcC 25.03.2013	CHK'D BY	APP'D BY	TOLERANCES UNLESS SPECIFIED 2 PLACE DEC.* 1 PLACE DEC.* ANGLES *
TITLE BOLLARD - TYPE 1270-180			
SCALE 1:5	DIMENSIONS ARE IN MILLIMETRES	DRAWING NO. 7DD004-03	ISSUE A