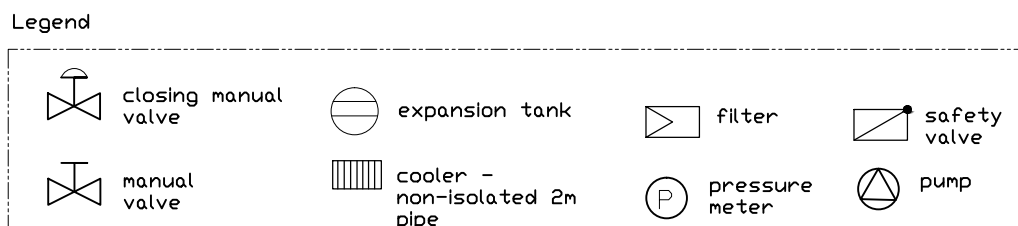
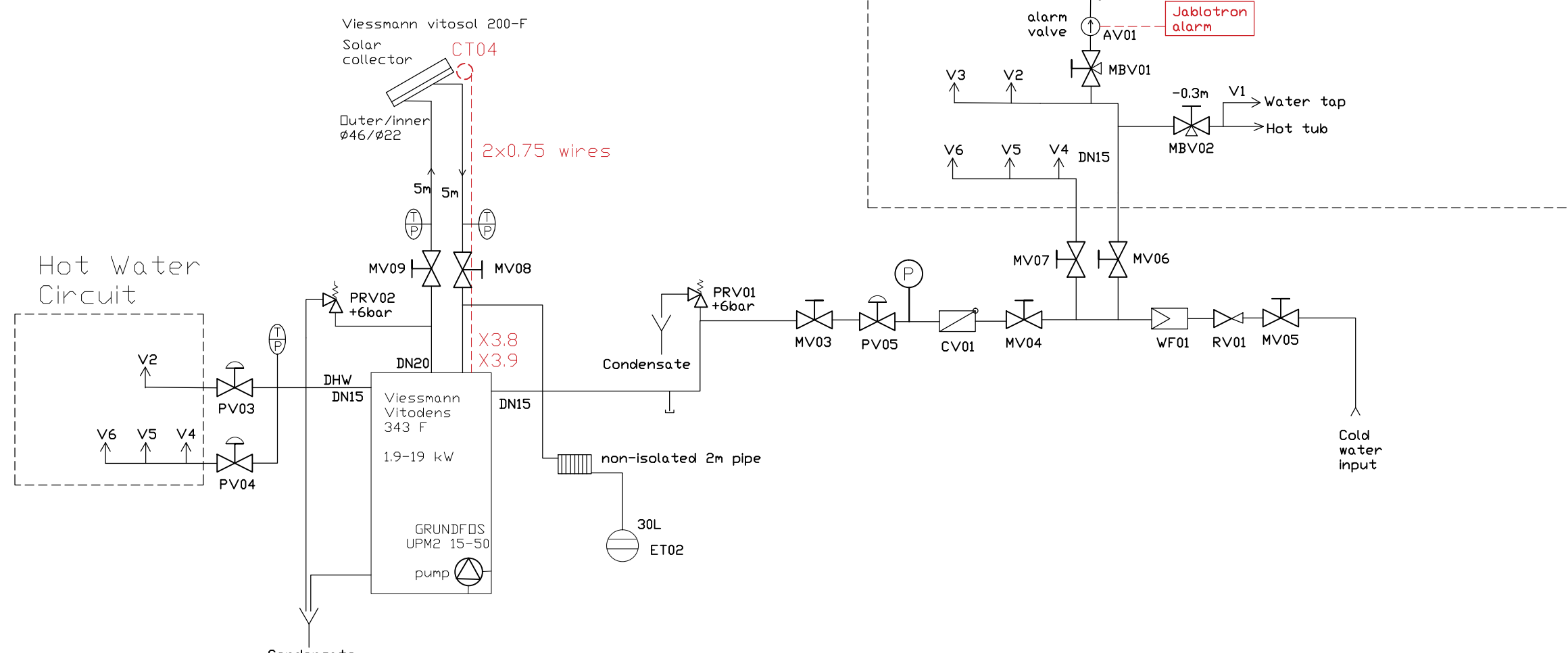


Boiler connections:
Hot and cold water, solar heating, fire sprinkler

Cold Water Circuit

Hot Water Circuit



9

A

B
C
D
E

NO.	DATE	REVISION	BY
DWG TITLE			
Under-floor heating			
ENGINEER	CHECKED BY		
L. Molitoris	L. Molitoris		
JOB NO	DRAWN BY		
	L. Molitoris		
SCALE	DATE		
No Scale	5.8.2014		
DWG NO			
SHEET NO			
01 OF 01			

9