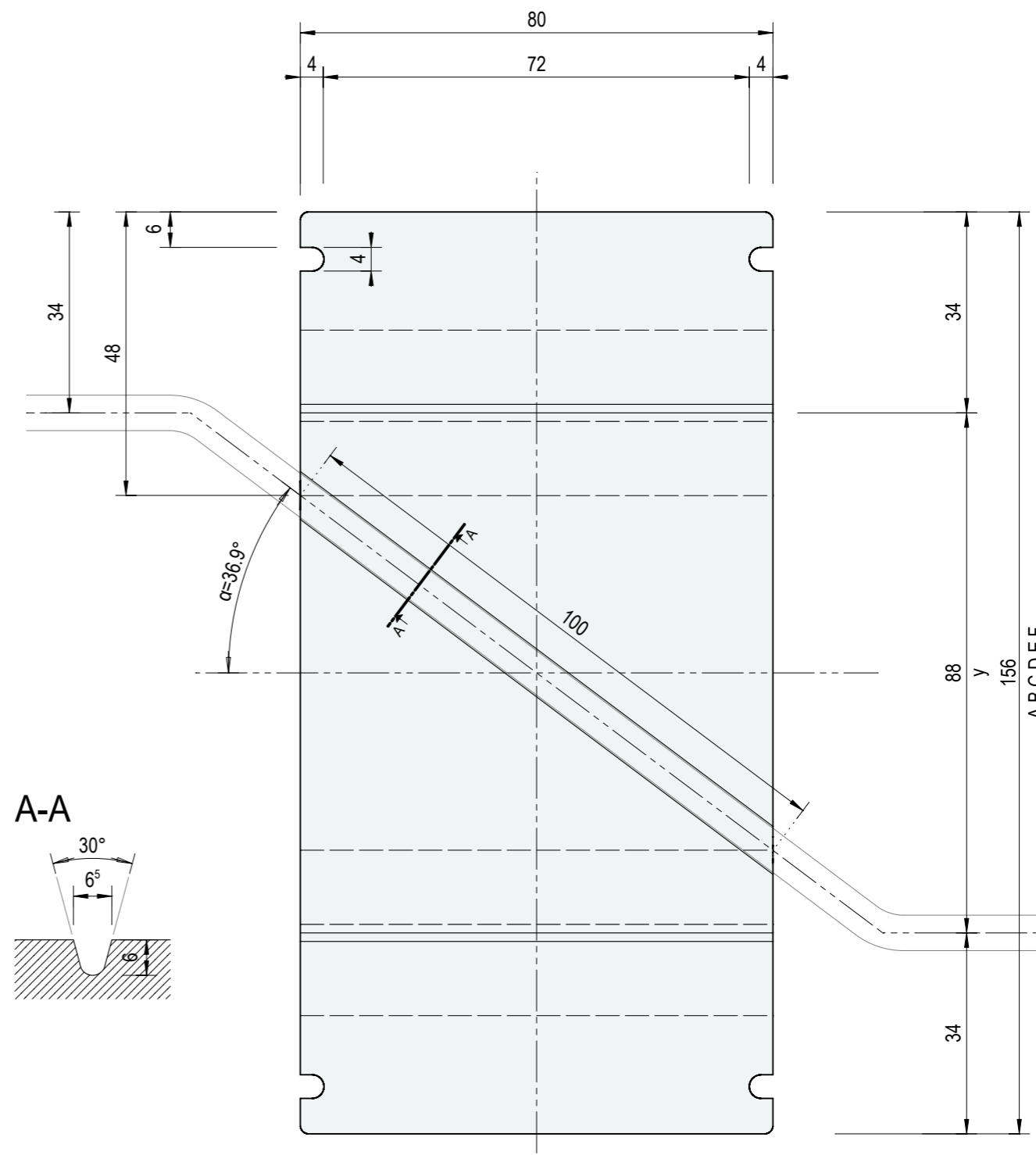
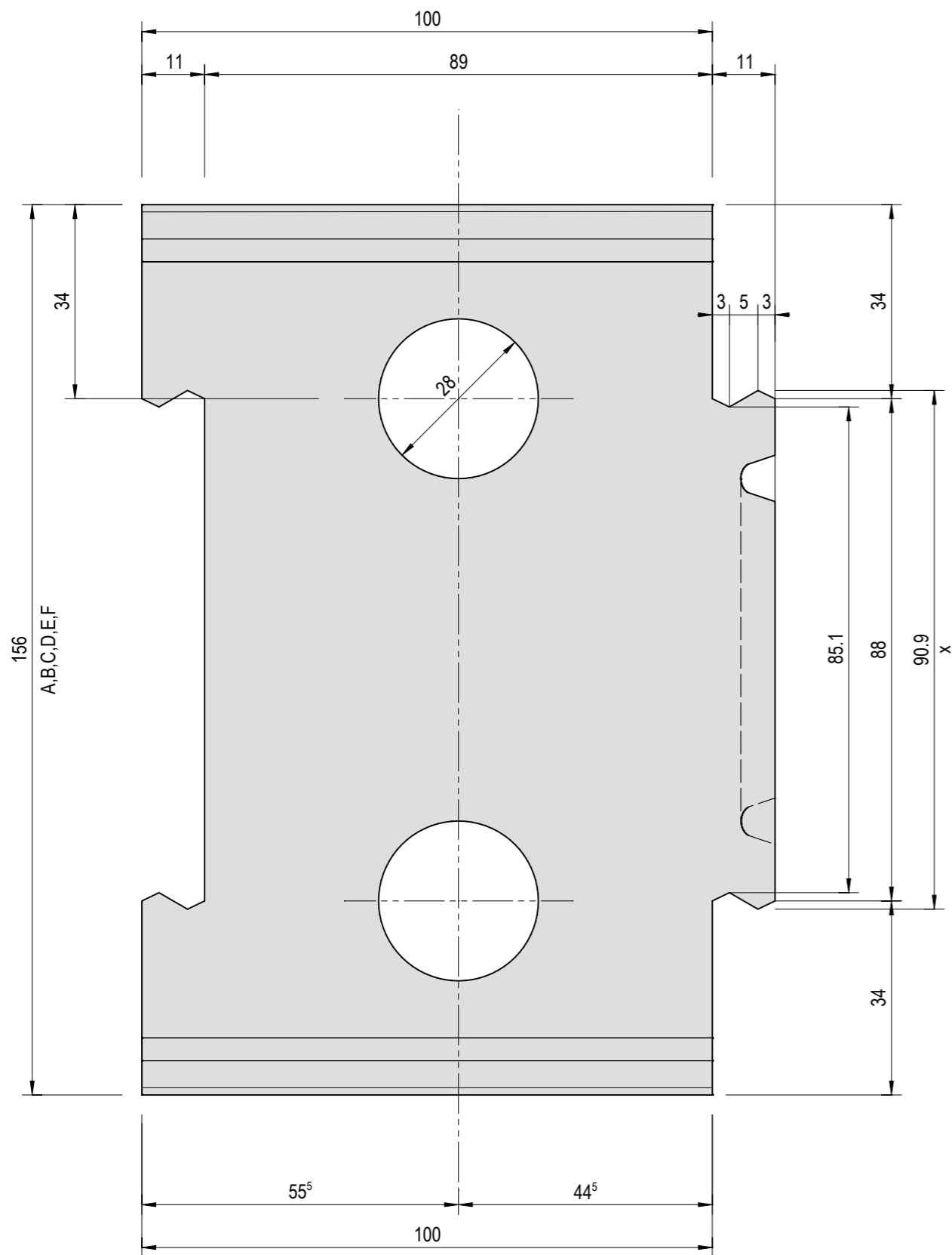


ThermoClic



Výška	x	y	Uhol
A=156mm	90.9mm	88mm	$\alpha=36.9^\circ$
B=176mm	110.9mm	108mm	$\alpha=40.2^\circ$
C=196mm	130.9mm	128mm	$\alpha=45.0^\circ$
D=216mm	150.9mm	148mm	$\alpha=49.1^\circ$
E=236mm	170.9mm	168mm	$\alpha=52.6^\circ$
F=256mm	190.9mm	188mm	$\alpha=55.6^\circ$

PRVOK TEPELNEJ IZOLÁCIE M 1:1

Dátum 17.06.2015