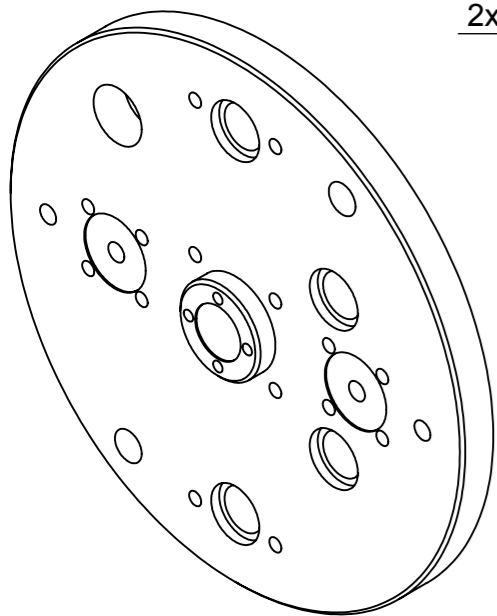


COUPE A-A

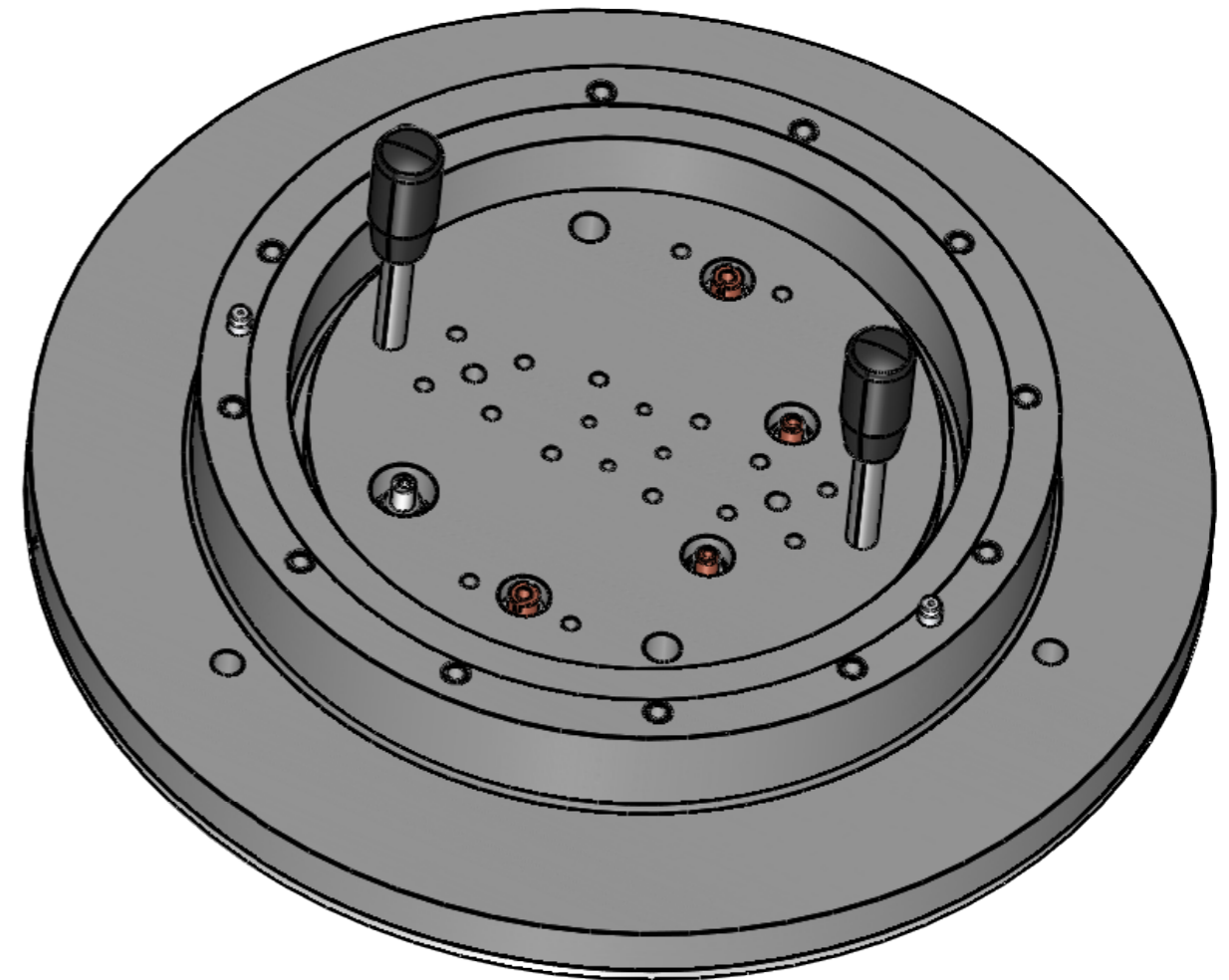


ISO 2768-m H Ra: 1,6		DESIGNATION:	
Finition:		POSITION TEST	
Finish:			
Des: W.O.	Date: 25/04/18		
Vérif.:	Date:		
Chek.:	Date:		
Approuv.:	Date:		
Aprvd.:	Date:		
Echelle:	Scale:	Format	SIZE
1:1	1:1	A3H	SH16 4162
Matiere:	Material:	FOLIO 1/2	
AGS			
All dimensions are in mm			

2	trou Ø18 + 2 lamages Ø18x3	10/10/18	WO	
REV.	DESCRIPTION	DATE	DES.	N° DE

REV
2

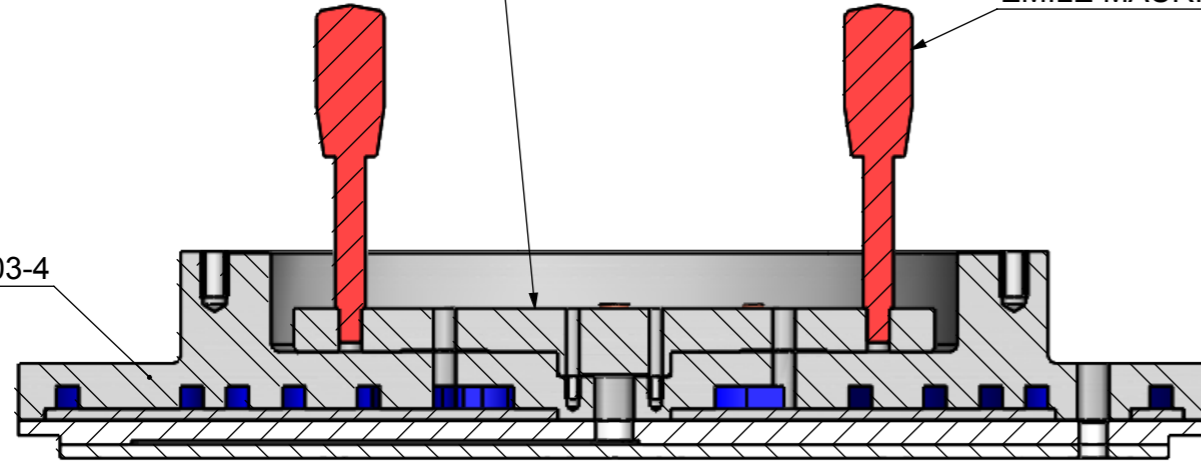
MOUNTING VIEW



SH164162-2

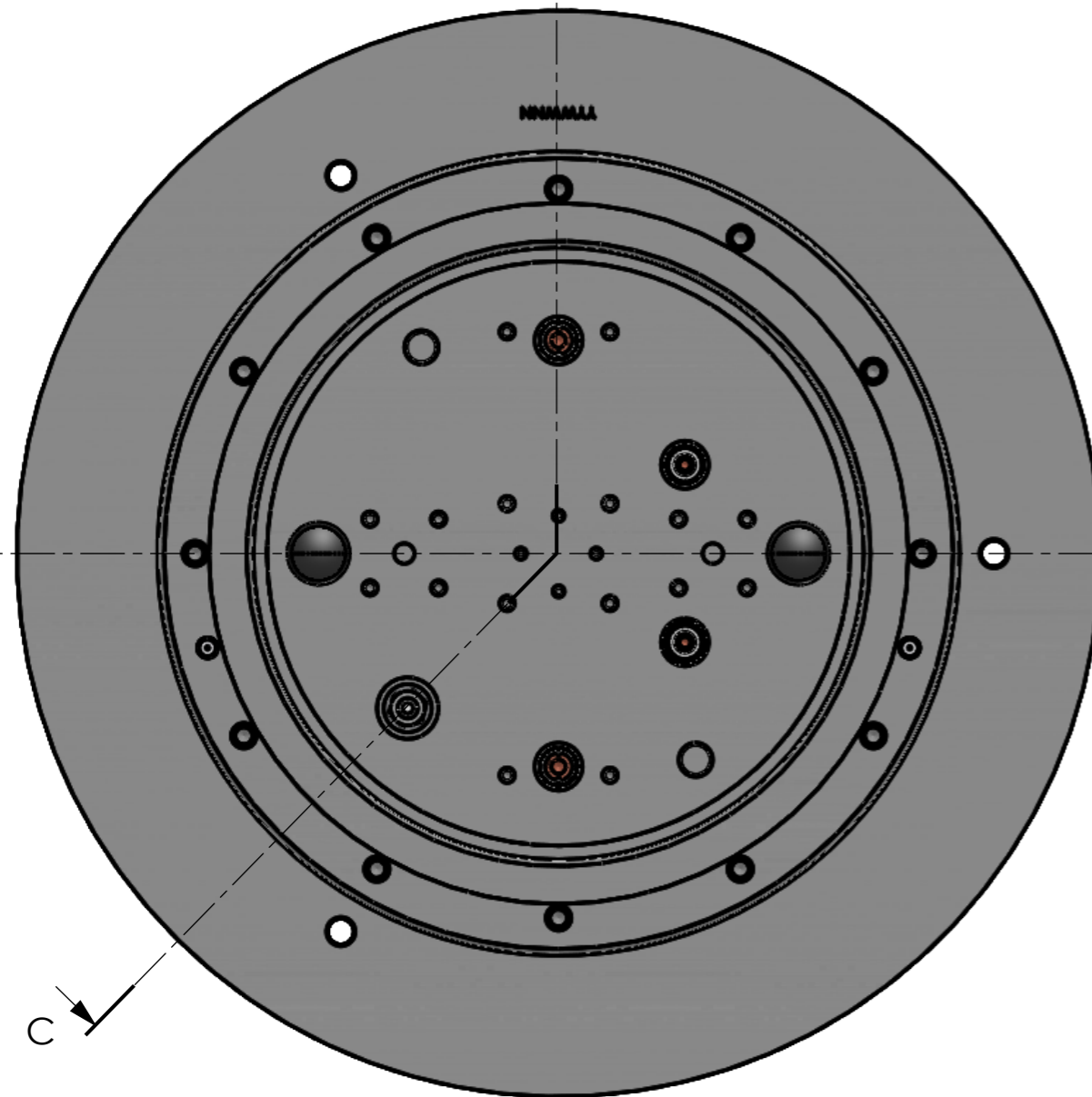
BUTTON LEVER
EMILE MAURIN REF: 15-603-8-80

SJ160103-4



COUPE B-B

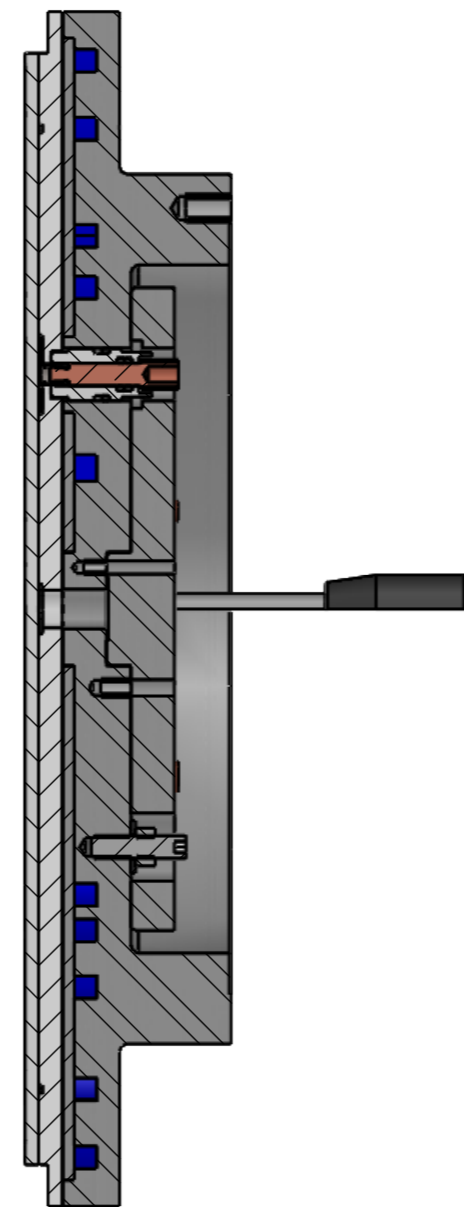
C



B

B

C



ISO 2768-m H Ra:		DESIGNATION:		REV
Finition: ERREUR! Finition		PEDESTAL + ESC		
Finish:		NMC 300 LT		4
Des: W.O.	Date: 15/10/15	Format	SJ16 0103	
Vérif.:	Date:	SIZE	A3H	
Chek.:	Date:	FOLIO 2/2		
Approuv.:	Date:			
Aprvd.:	Date:			
Echelle:	Scale:			
1:2	1:2			
Matiere:	Material:			
All dimensions are in mm				