

6

5

4

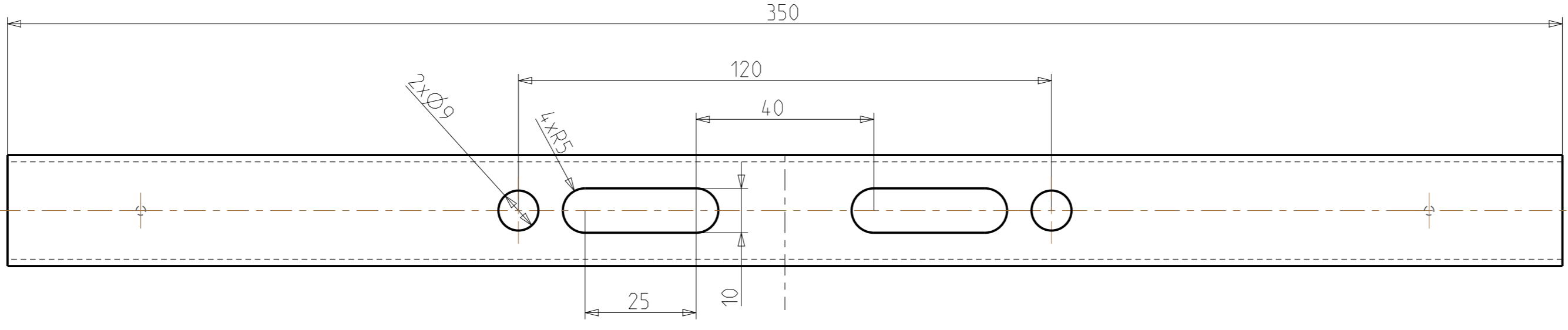
3

2

1

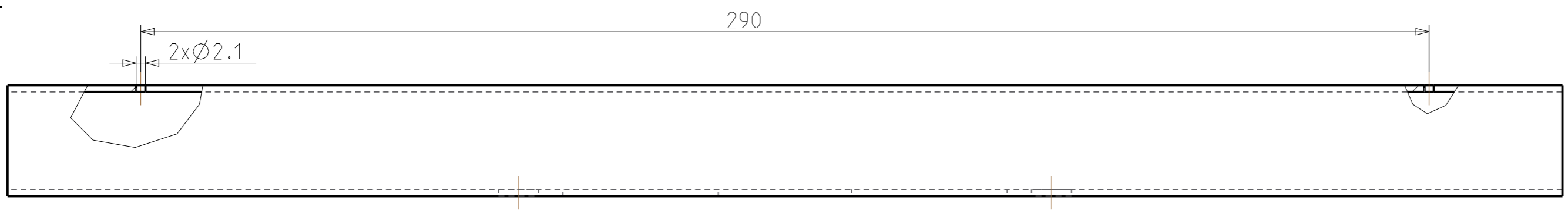
D

D



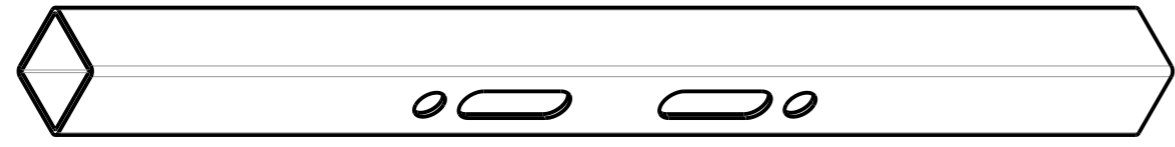
C

C



B

B



A

A

MATERIAL STAINLESS STEEL		PART NAME STOJAN1		DRAWING NAME ST01001D	
SURFACE FINISHING: -		NEW	OKZ001		
MASS:0.352 kg		REVISION	CHANGE	DATE	SIGNATURE
LENGTH DIMENSIONS mm		NAME	DATE	SIGNATURE	
TOLERANCES ACCORDING TO ISO 8015		DESIGNED	O. KANAK	16.07.16	
TOLERANCES ISO 2768 -cL		ANALYST			
O.K.Engineering		CHECKED			
PROPERTY O.K.Engineering. 2016 ALL RIGHTS RESERVED		DRW .NR ST010001D			
TITLE JEKL			SCALE 1:1		SUB A3
NAME OF PROJECT STOJAN		PROJECT NR. 001		REVISION NEW	SHEET OF 1 1

6

5

2

1