

6

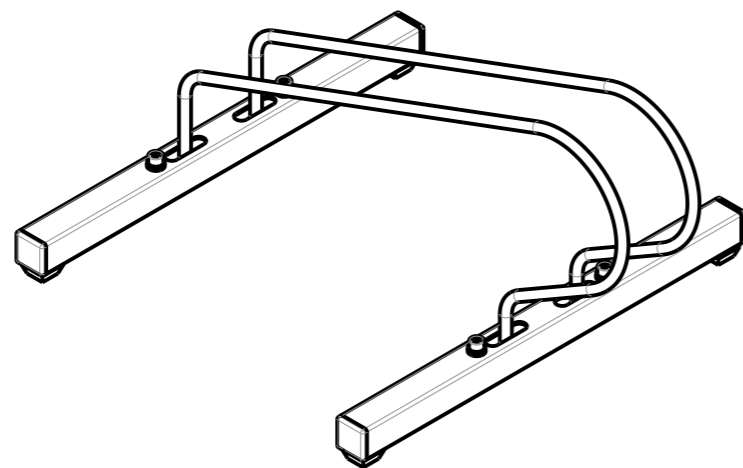
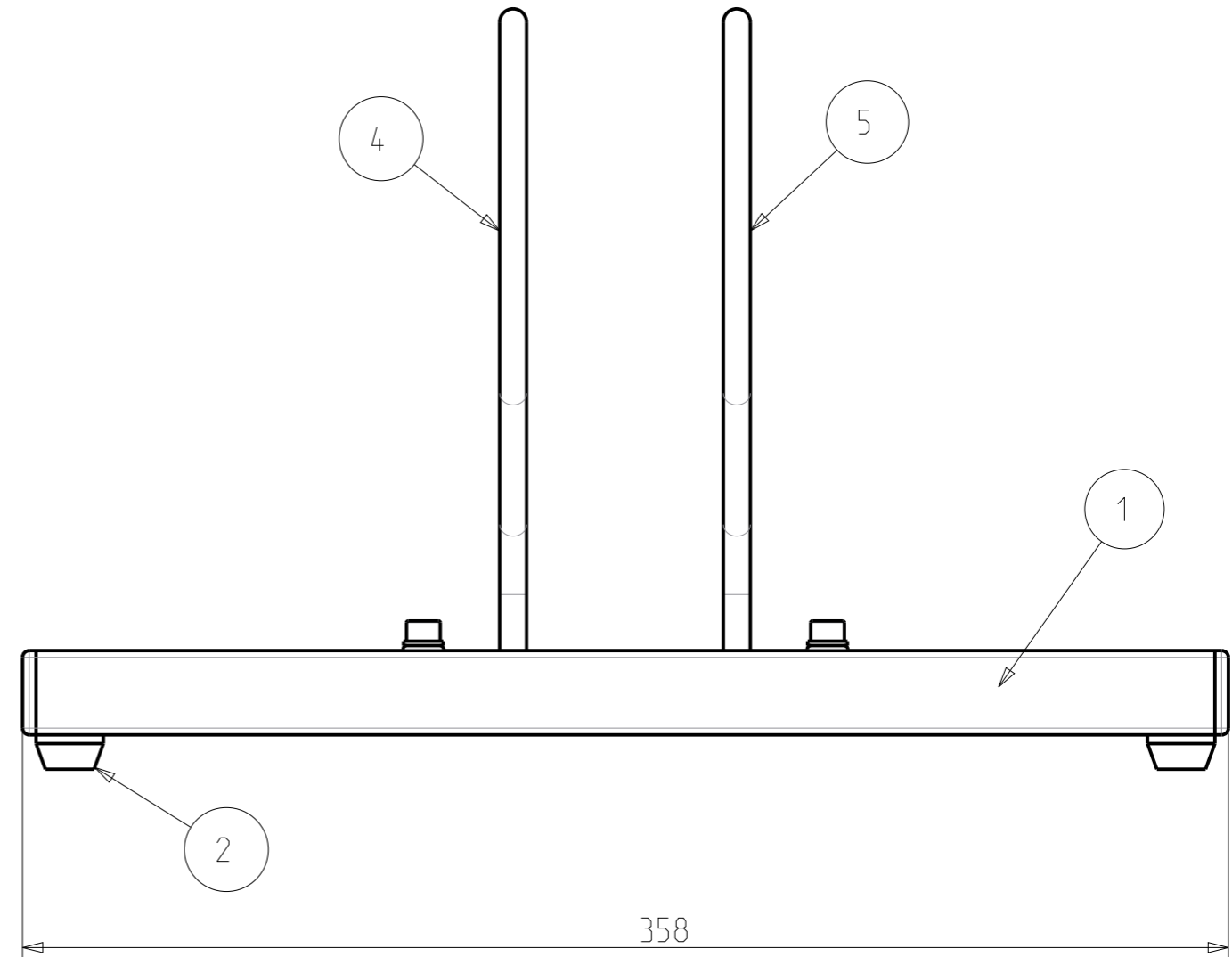
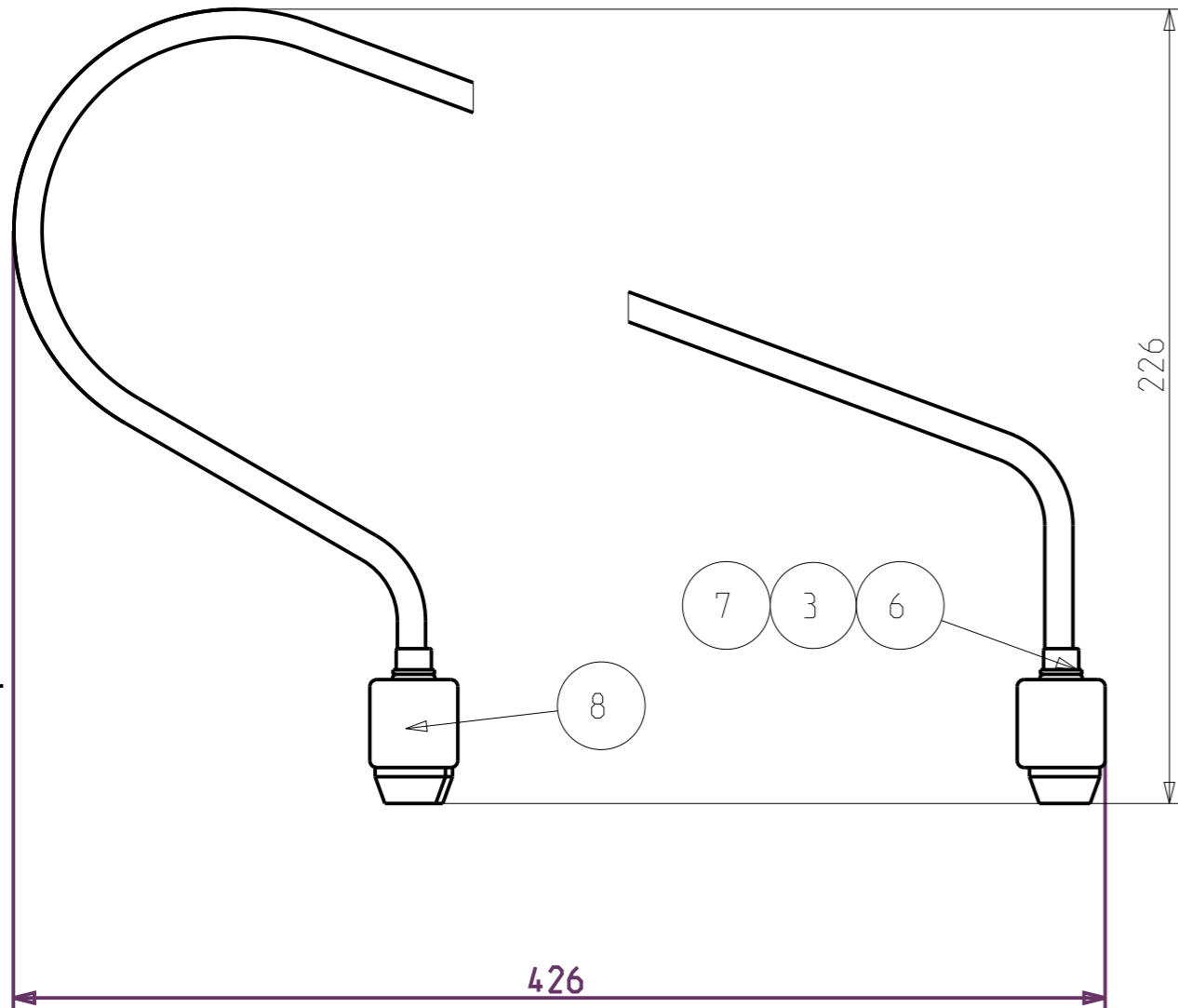
5

4

3

2

1



MATERIAL		PART NAME STOJAN		DRAWING NAME ST011001S	
SURFACE FINISHING:		NEW	OKZ001		
MASS:1.393 kg		REVISION	CHANGE	DATE	SIGNATURE
TOLERANCES ACCORDING TO ISO 8015		DESIGNED	O. KANAK		
TOLERANCES ISO 2768 -cL		ANALYST			
O.K.Engineering		CHECKED			
PROPERTY O.K.Engineering. 2016 ALL RIGHTS RESERVED		DRW .NR ST011001S		TITLE STOJAN	SCALE 1:2
		NAME OF PROJECT		PROJECT NR.	REVISION
					SHEET OF 2 1

6

5

2

1

2

1

Pos.	DRW. NUMBER	PART NAME	CHANGE	REVISION	QTY
1	ST010001D	JEKL			2
2	BS-17-CL-R, 10,2 mm	NOZKA			4
3	St-MZH-M6	NYTOVACI MATICE			4
4	ST011002D	OBRUC			1
5	ST011003D	OBRUC			1
6	6.3 DIN 128A6	PRUZNA PODLOZKA			4
7	M6X18 DIN912	SROUB			4
8	25X25MM	ZASLEPKA CTVERCOVA			4

O.K.Engineering, s.r.o. 2016 ALL RIGHTS RESERVED	TITLE				SCALE	DRW. NR.	SUB
	STOJAN				1:2	ST011001S	A4
	NAME OF PROJECT STOJAN		PROJECT NR.	REVISION	SHEET	OF	
				2	2		

2

1