

6

5

4

3

2

1

D

D

C

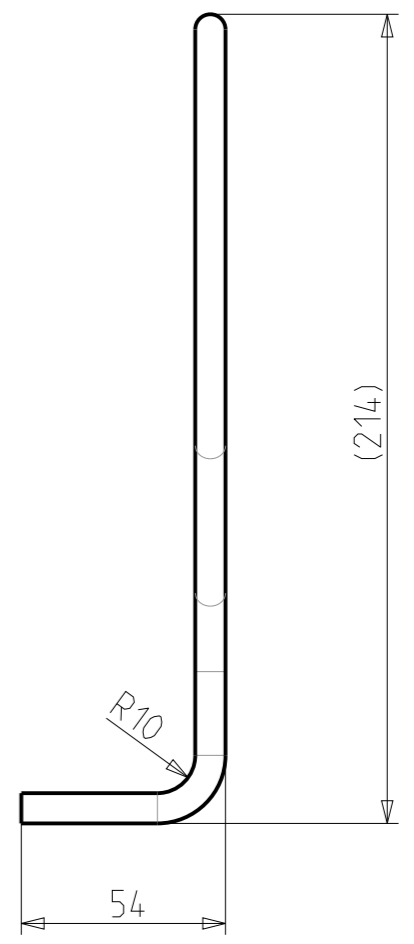
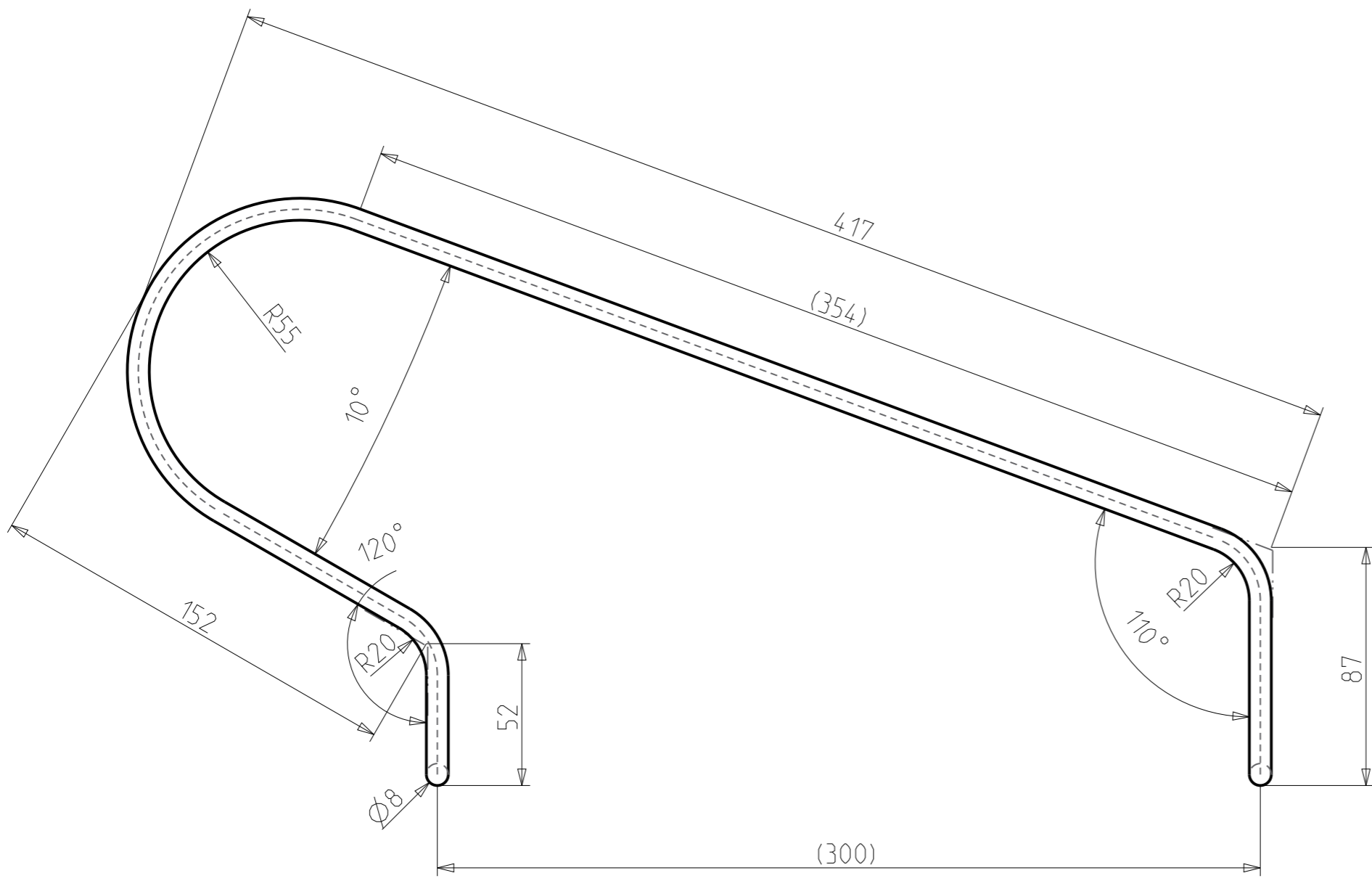
C

B

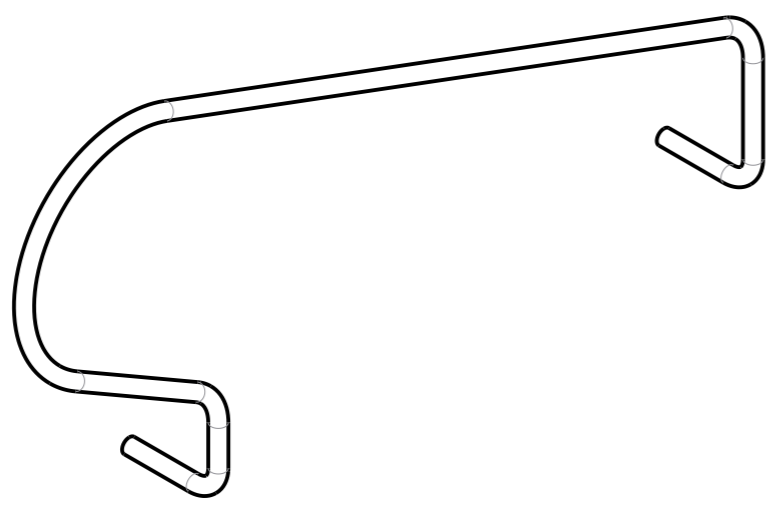
B

A

A



2.ROZVINUTA DELKA DRATU 830mm  
 1.KRESLEN PRAVY DIL ST011002D, LEVY DIL ST011003D JE ZRCADLOVY OBRAZ



MATERIAL STAINLESS STEEL		PART NAME STOJAN2		DRAWING NAME ST011002D	
SURFACE FINISHING:		NEW	OKZ001		
		REVISION	CHANGE	DATE	SIGNATURE
MASS:0.312 kg	LENGTH DIMENSIONS mm	NAME	DATE	SIGNATURE	
	TOLERANCES ACCORDING TO ISO 8015	DESIGNED	O. KANAK	22.07.16	
	TOLERANCES ISO 2768 -mK	ANALYST			
O.K.Engineering	DRW .NR	CHECKED			
	ST011002D /ST011003D				
PROPERTY O.K.Engineering. 2016 ALL RIGHTS RESERVED	TITLE	OBRUC		SCALE	SUB
				1:2	A3
NAME OF PROJECT STOJAN		PROJECT NR.	REVISION	SHEET	OF
				1	1

6

5

2

1