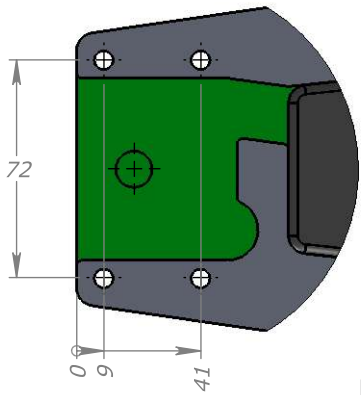
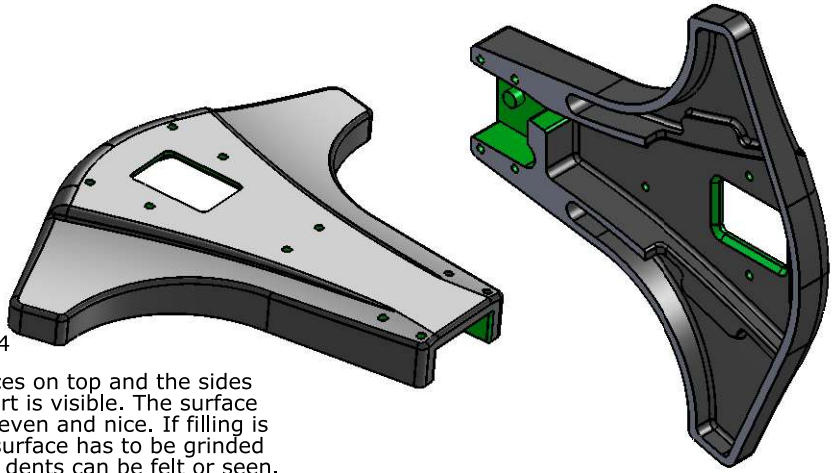


\ All surfaces marked with green is to be milled



VIEW D SCALE: 2 : 5

REV 07/14
 All surfaces on top and the sides of the part is visible. The surface should be even and nice. If filling is used the surface has to be grinded down so no dents can be felt or seen.



Surface treatment:
 Powdercoating structure. Refer to order for ral code