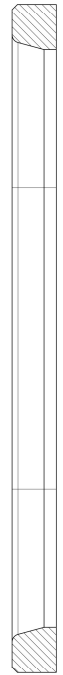
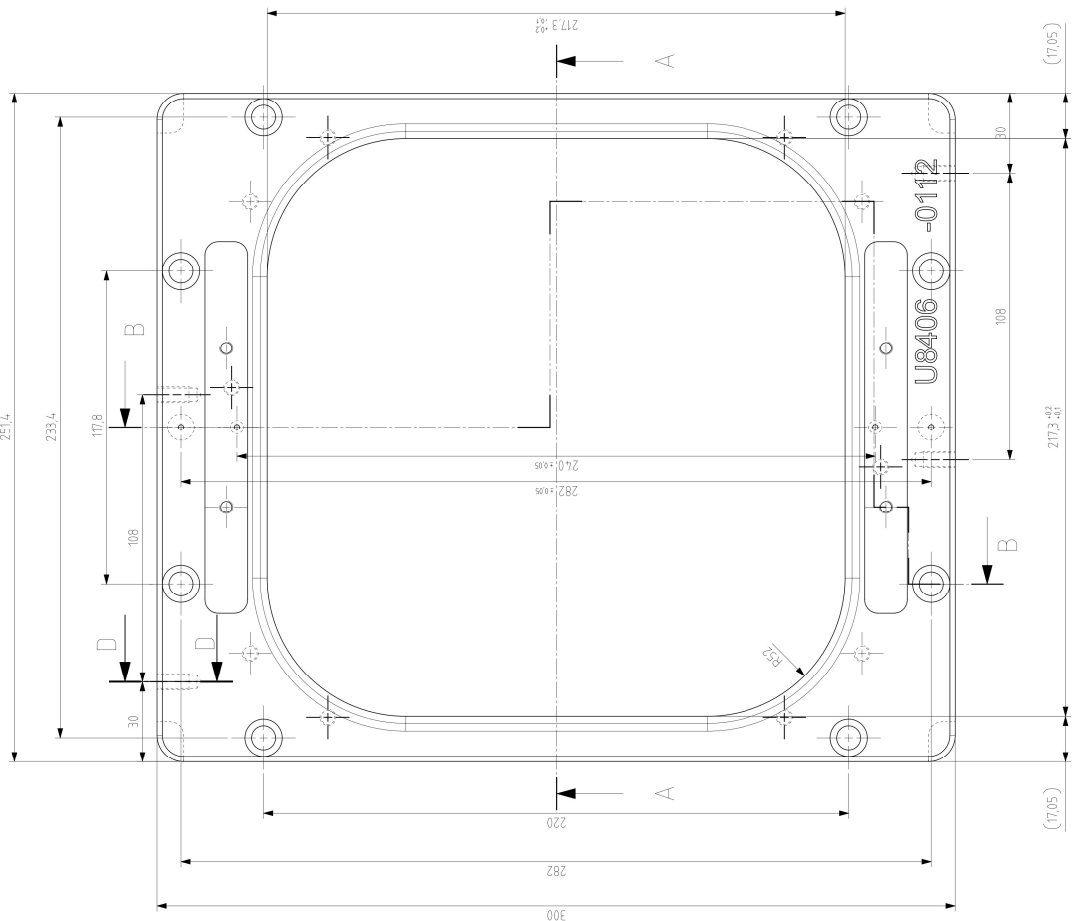
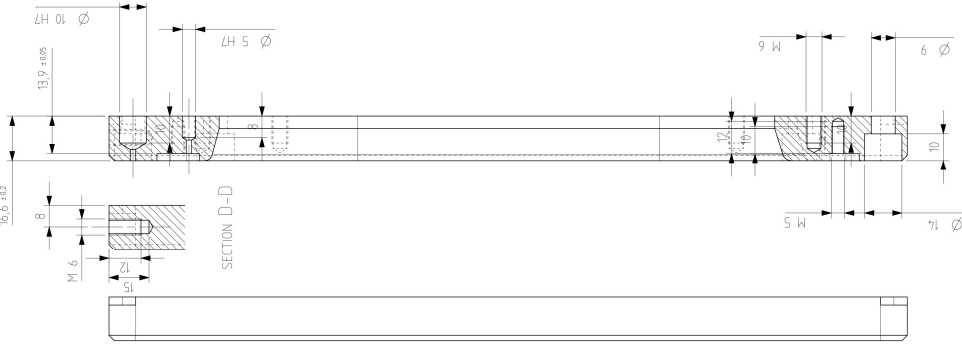
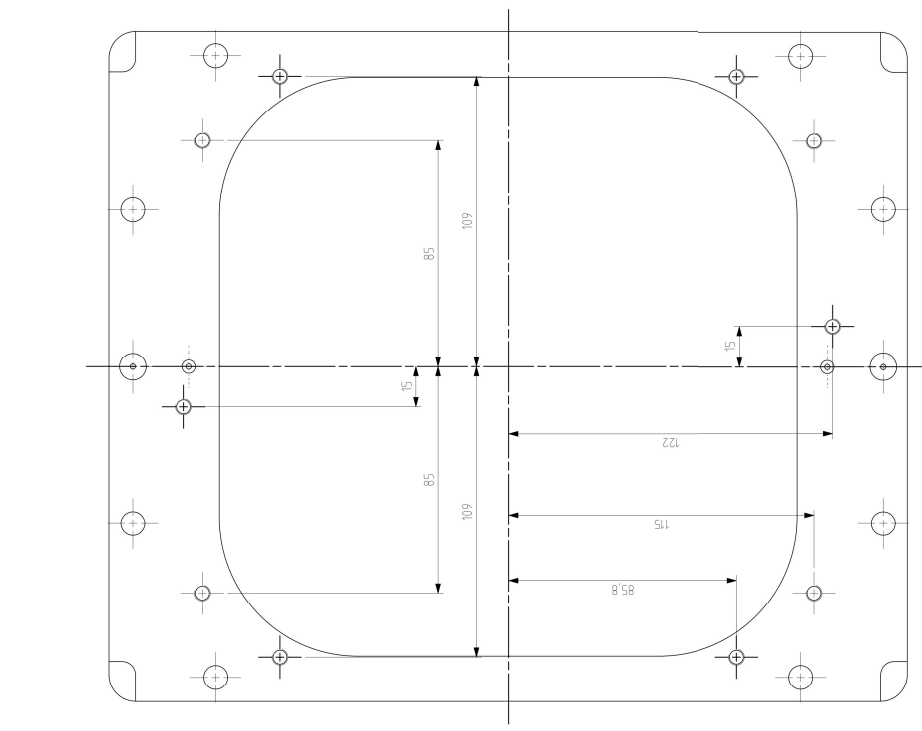


Revision	Date	Rev.	Checked
A	22-09-16	EW	
B	17-01-17	EW	
C	2-08-17	EW	

A | ALIGNED HOLE TO THE CENTER
 B | CHANGED MATERIAL
 C | ADDED MOUNTING POSITIONS



Number	Partnr Designation	300x251x16.6	Stainless Steel	Mat code : 14301
1	PLATE			
Remarks		Geometrical Tol.	Surface rough.	Main assy
		ISO 1101	ISO 1302	
		Limits and fits	ISO 286 + 2768-mH	
Description				
Name	EW			
Date	12-09-2016			
Checked				
Scale	1:1			
Drawingnr.		U8406-0112		
Rev		A		
		B		
		C		

This drawing remains our property and shall not be copied, reproduced or shown to third parties without our approval.