

4

3

2

1

D

D

C

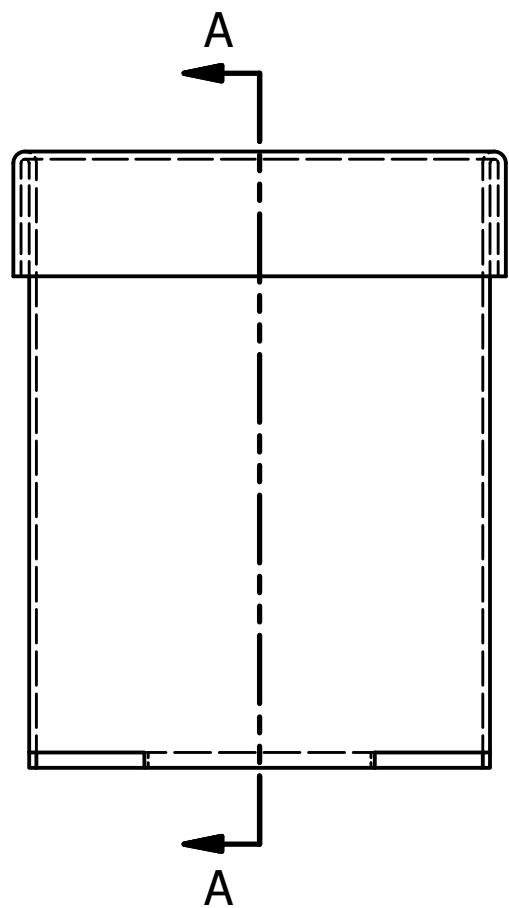
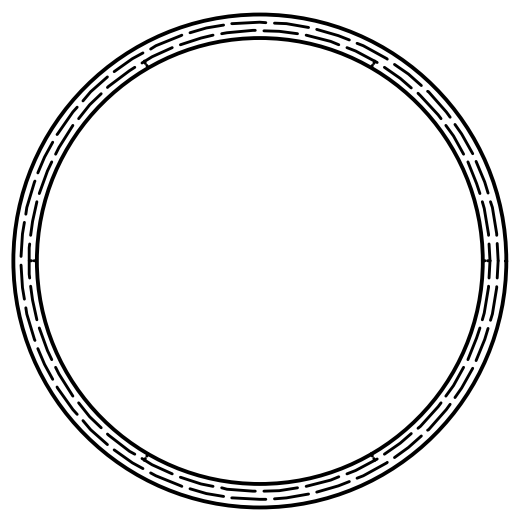
C

B

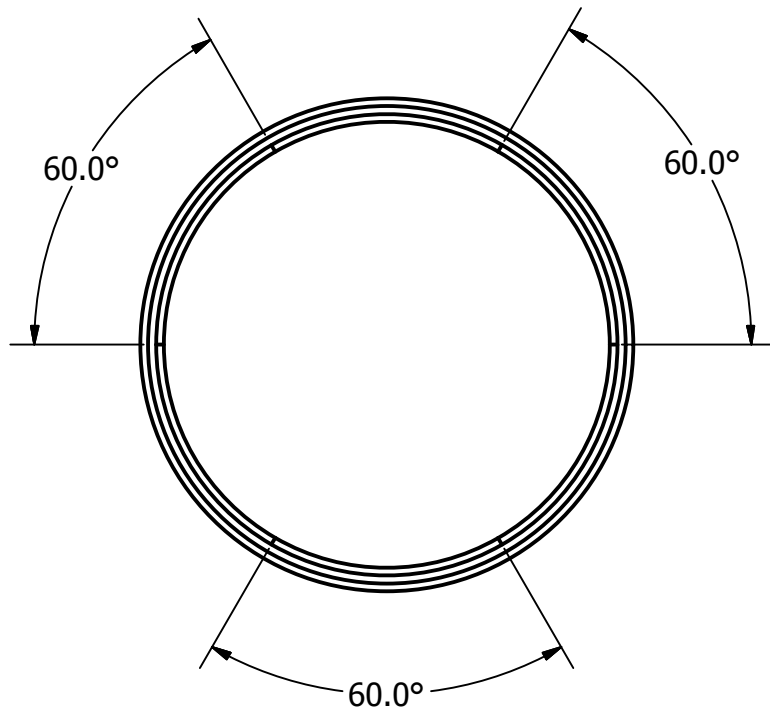
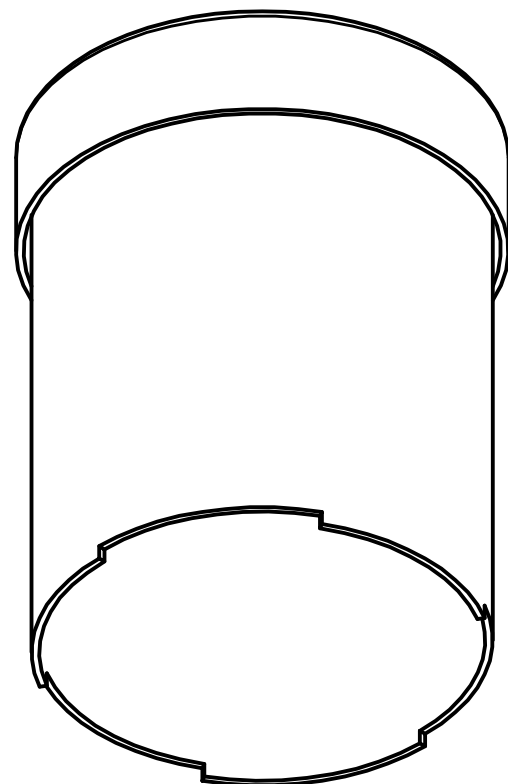
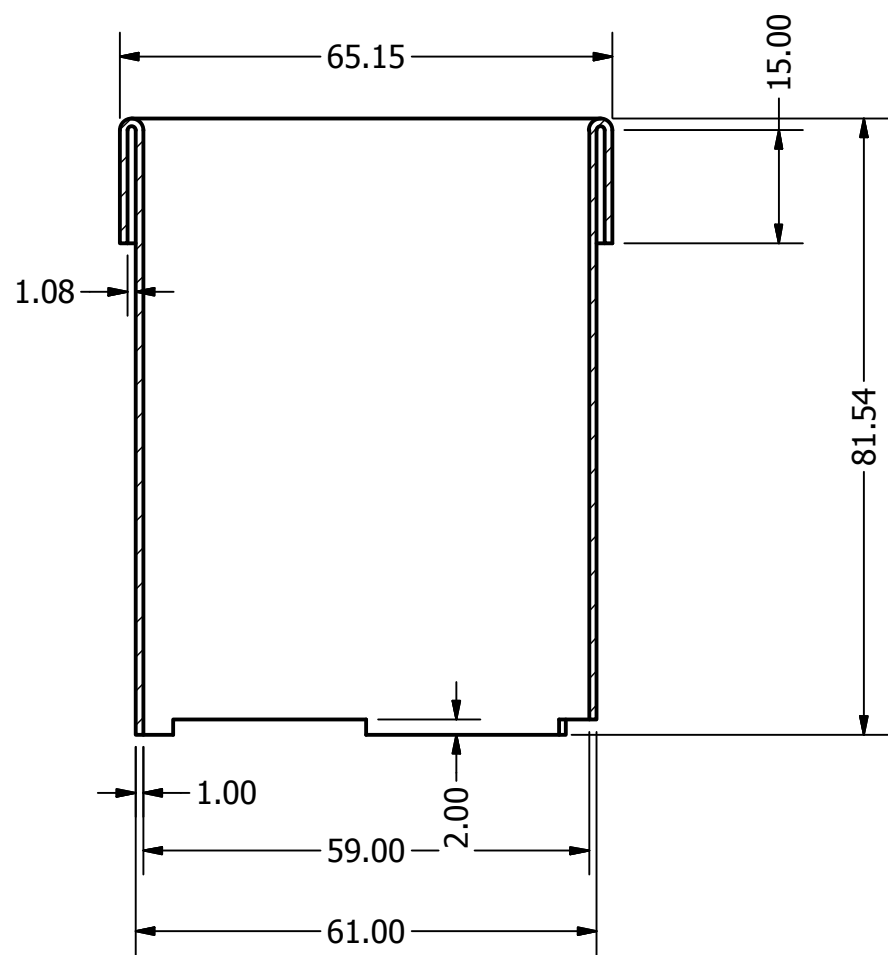
B

A

A



SECTION A-A
SCALE 1 : 1



DRAWN	ivo	26-2-2015	TITLE		
CHECKED			TITLE		
QA			TITLE		
MFG			TITLE		
APPROVED			TITLE		
			SIZE	DWG NO	REV
			C		
			SCALE	SHEET 1 OF 1	

4

3

2

1

