

1

2

3

4

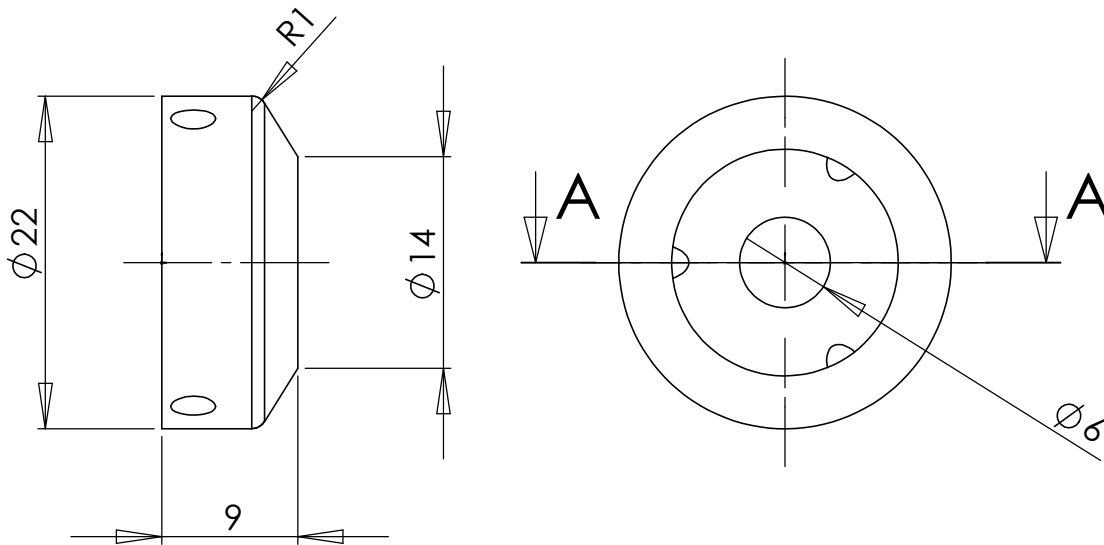
A

B

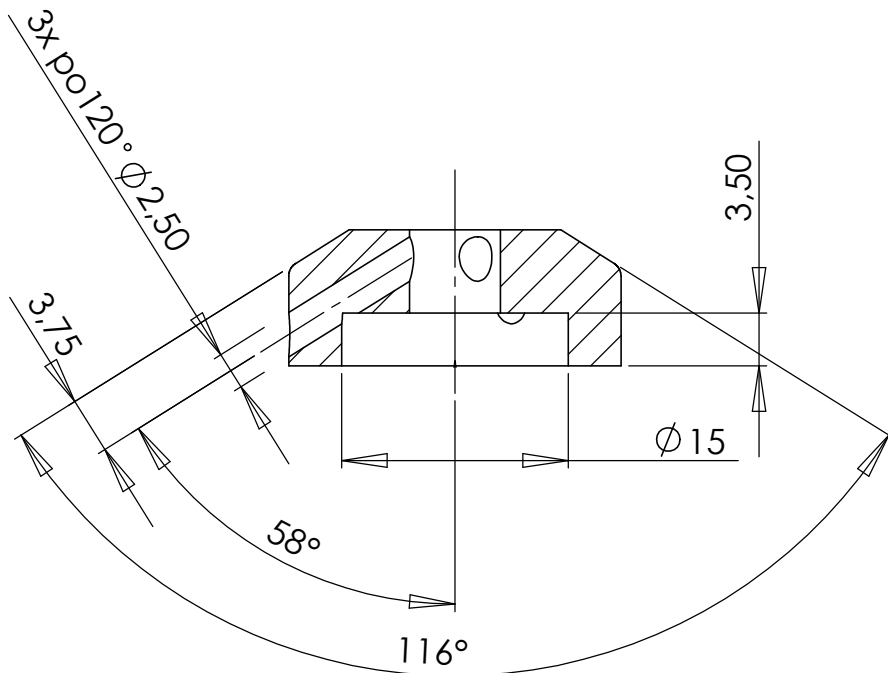
C

D

E



ŘEZ A-A



NETOLEROVANÉ ROZMĚRY DLE ČSN ISO 2768-1-mK

UNLESS OTHERWISE SPECIFIED:
DIMENSIONS ARE IN MILLIMETERS
SURFACE FINISH:
TOLERANCES:
LINEAR:
ANGULAR:

FINISH:

DEBUR AND
BREAK SHARP
EDGES

DO NOT SCALE DRAWING

REVISION

	NAME	SIGNATURE	DATE		
DRAWN					
CHK'D					
APPV'D					
F MFG					
Q.A				MATERIAL:	
				WEIGHT:	

TITLE:

DWG NO.

hlavice

A4

SCALE:2:1

SHEET 1 OF 1