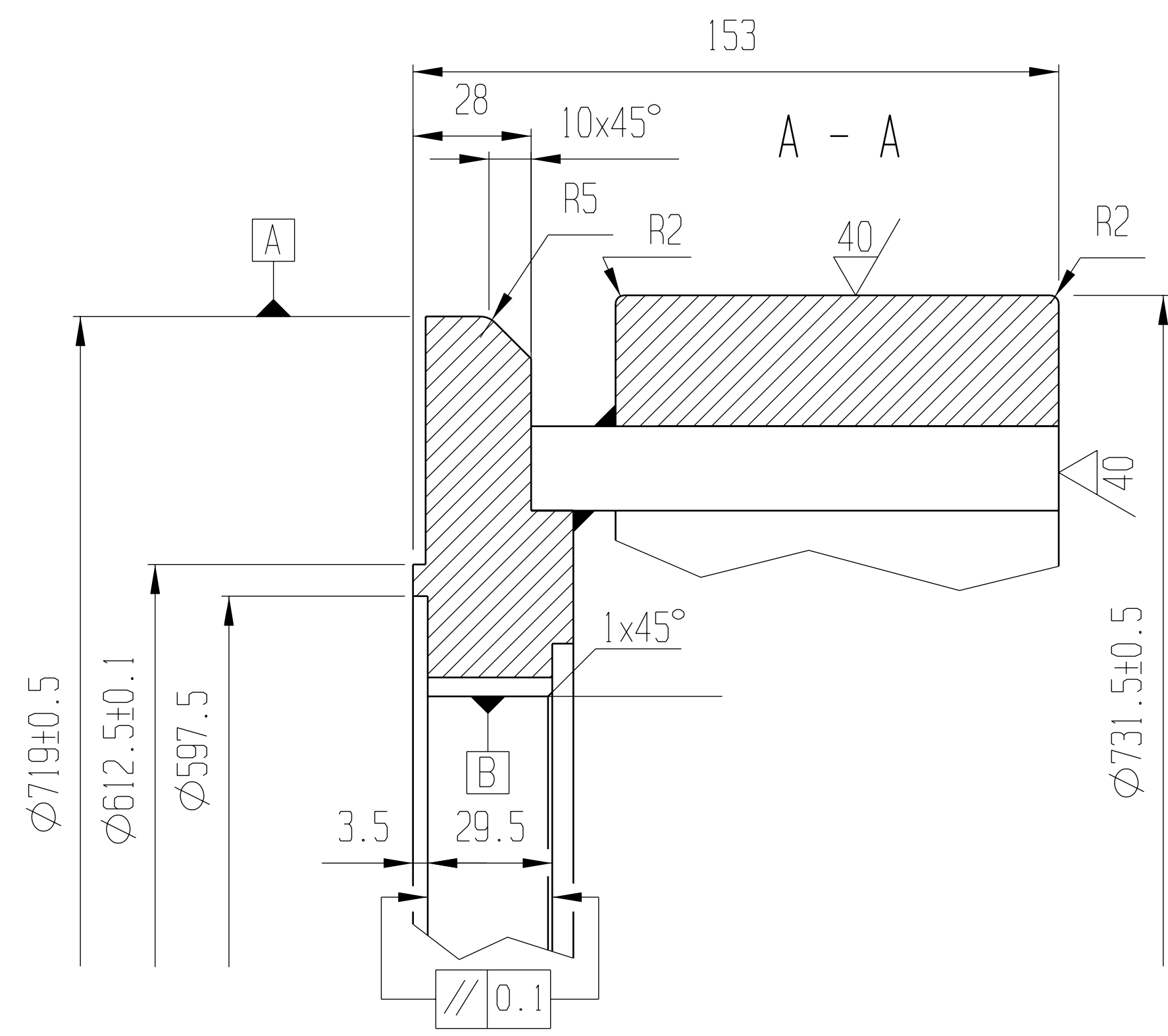
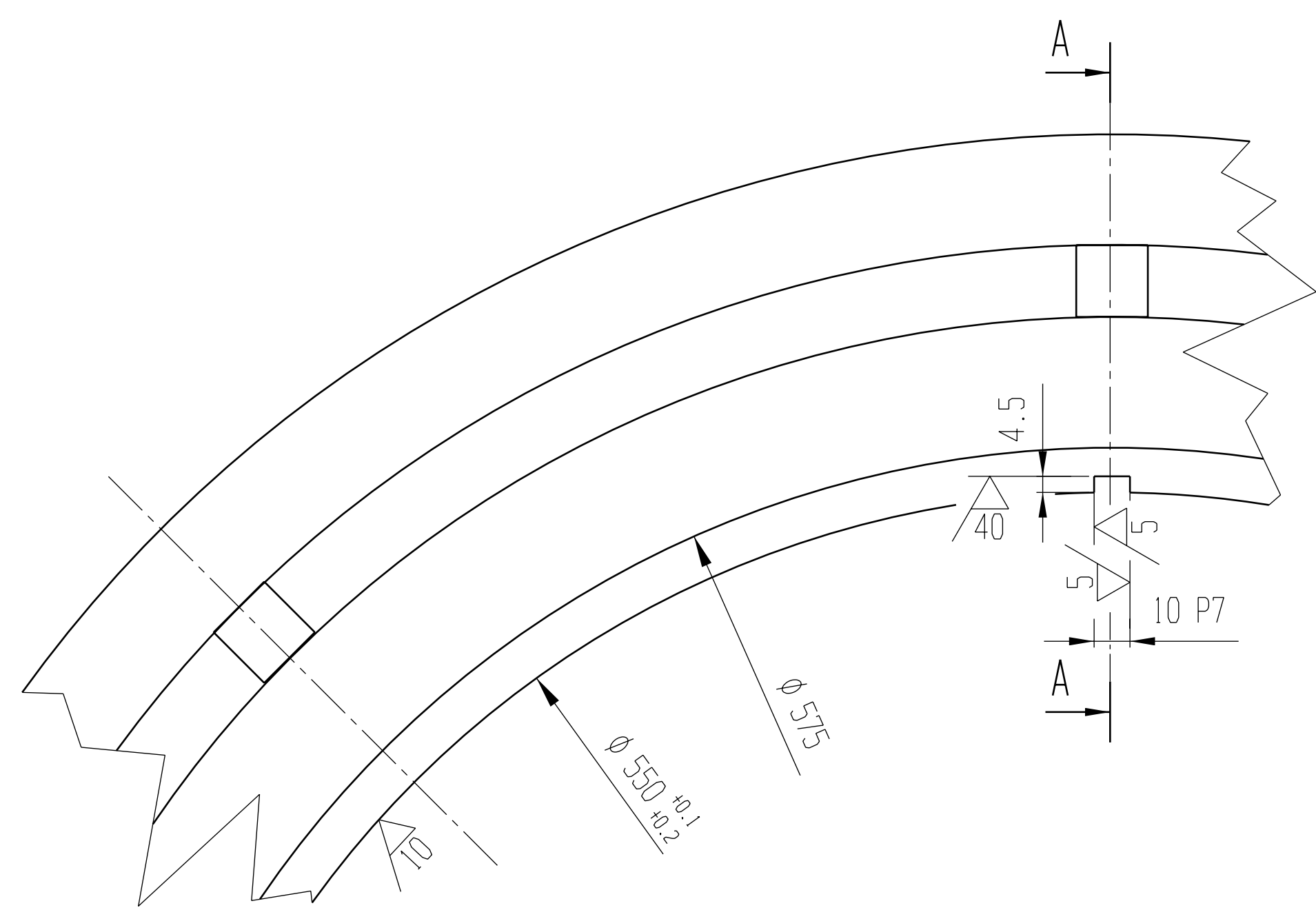


10 P7	-0.009 -0.024
Dim.	Toler.

DE



1	1	DE ROTOR PRESSING DISC WELDING	AWRCCD_0630601-200		82.04
Item	pcs	Name	Drwg Nr/Material code/Standard	Notice	Weight [kg]
B.O.M.					

Rev.	Modification	Date	Sign	Rev.	Modification	Date	Sign

HELMKE		Notice		Scale M=1:2		Weight [kg]	
		Name DE ROTOR PRESSING DISC WITH END WINDING CONSOLE					
Designers		Date		Drawing number		BOM	
Designer		16.11.2010.		AWRCCD_0630601-100		YES <input checked="" type="checkbox"/> NO <input type="checkbox"/>	
Controller				Rev.		Sheet <input type="checkbox"/> Page <input type="checkbox"/>	
Approval		16.11.2010.				A3 Sheet 1 Page 1	

ALL DIMENSIONS ARE IN MILLIMETRES

