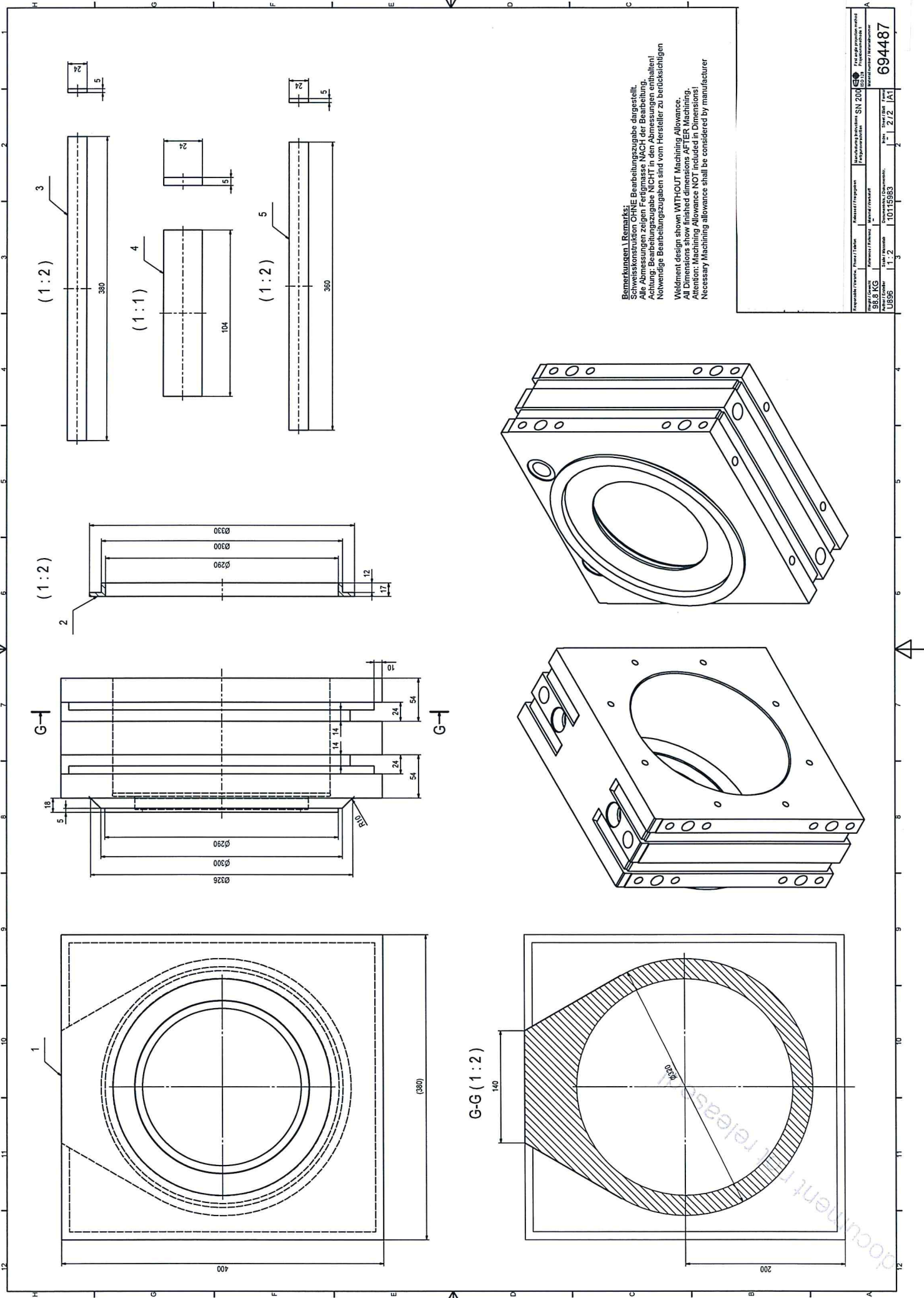


Instruktion / Instruction:
 Rahmen wasserdicht verschweisst.
 Druckprobe 10 bar / 30 min.
 Wasserkante gespült und frei von Verunreinigungen.
 Nach dem Schweißen spannungsgemäß geglättet und gerichtet nach SN200.
 Keine Schweißarbeiten nach der Wärmebehandlung.
 Schweissnähte auf ganzer Länge ausgeführt ausser ausdrücklich angegeben.
 Frame weld for water tightness.
 Test pressure 10 bar / 30 min.
 Medium Passages must be flushed and free of any chips or impurities.
 To be stress relieved annealing and straightened after welding according to SN200.
 No welding to be executed after the heat treatment.
 Unless specifically mentioned all welding seams have to be welded full length.

Item	Qty	Part No.	Description	Material	Remarks
1	1	540430	1.6277.5352.24	0.3114G	
2	1	540430	1.6277.5352.24	0.3114G	
3	1	540430	1.6277.5352.24	0.3114G	
4	1	540430	1.6277.5352.24	0.3114G	
5	1	540430	1.6277.5352.24	0.3114G	
6	1	540430	1.6277.5352.24	0.3114G	
7	1	540430	1.6277.5352.24	0.3114G	
8	1	540430	1.6277.5352.24	0.3114G	
9	1	540430	1.6277.5352.24	0.3114G	
10	1	540430	1.6277.5352.24	0.3114G	
11	1	540430	1.6277.5352.24	0.3114G	
12	1	540430	1.6277.5352.24	0.3114G	
13	1	540430	1.6277.5352.24	0.3114G	
14	1	540430	1.6277.5352.24	0.3114G	
15	1	540430	1.6277.5352.24	0.3114G	
16	1	540430	1.6277.5352.24	0.3114G	
17	1	540430	1.6277.5352.24	0.3114G	
18	1	540430	1.6277.5352.24	0.3114G	
19	1	540430	1.6277.5352.24	0.3114G	
20	1	540430	1.6277.5352.24	0.3114G	
21	1	540430	1.6277.5352.24	0.3114G	
22	1	540430	1.6277.5352.24	0.3114G	
23	1	540430	1.6277.5352.24	0.3114G	
24	1	540430	1.6277.5352.24	0.3114G	
25	1	540430	1.6277.5352.24	0.3114G	
26	1	540430	1.6277.5352.24	0.3114G	
27	1	540430	1.6277.5352.24	0.3114G	
28	1	540430	1.6277.5352.24	0.3114G	
29	1	540430	1.6277.5352.24	0.3114G	
30	1	540430	1.6277.5352.24	0.3114G	
31	1	540430	1.6277.5352.24	0.3114G	
32	1	540430	1.6277.5352.24	0.3114G	
33	1	540430	1.6277.5352.24	0.3114G	
34	1	540430	1.6277.5352.24	0.3114G	
35	1	540430	1.6277.5352.24	0.3114G	
36	1	540430	1.6277.5352.24	0.3114G	
37	1	540430	1.6277.5352.24	0.3114G	
38	1	540430	1.6277.5352.24	0.3114G	
39	1	540430	1.6277.5352.24	0.3114G	
40	1	540430	1.6277.5352.24	0.3114G	
41	1	540430	1.6277.5352.24	0.3114G	
42	1	540430	1.6277.5352.24	0.3114G	
43	1	540430	1.6277.5352.24	0.3114G	
44	1	540430	1.6277.5352.24	0.3114G	
45	1	540430	1.6277.5352.24	0.3114G	
46	1	540430	1.6277.5352.24	0.3114G	
47	1	540430	1.6277.5352.24	0.3114G	
48	1	540430	1.6277.5352.24	0.3114G	
49	1	540430	1.6277.5352.24	0.3114G	
50	1	540430	1.6277.5352.24	0.3114G	
51	1	540430	1.6277.5352.24	0.3114G	
52	1	540430	1.6277.5352.24	0.3114G	
53	1	540430	1.6277.5352.24	0.3114G	
54	1	540430	1.6277.5352.24	0.3114G	
55	1	540430	1.6277.5352.24	0.3114G	
56	1	540430	1.6277.5352.24	0.3114G	
57	1	540430	1.6277.5352.24	0.3114G	
58	1	540430	1.6277.5352.24	0.3114G	
59	1	540430	1.6277.5352.24	0.3114G	
60	1	540430	1.6277.5352.24	0.3114G	
61	1	540430	1.6277.5352.24	0.3114G	
62	1	540430	1.6277.5352.24	0.3114G	
63	1	540430	1.6277.5352.24	0.3114G	
64	1	540430	1.6277.5352.24	0.3114G	
65	1	540430	1.6277.5352.24	0.3114G	
66	1	540430	1.6277.5352.24	0.3114G	
67	1	540430	1.6277.5352.24	0.3114G	
68	1	540430	1.6277.5352.24	0.3114G	
69	1	540430	1.6277.5352.24	0.3114G	
70	1	540430	1.6277.5352.24	0.3114G	
71	1	540430	1.6277.5352.24	0.3114G	
72	1	540430	1.6277.5352.24	0.3114G	
73	1	540430	1.6277.5352.24	0.3114G	
74	1	540430	1.6277.5352.24	0.3114G	
75	1	540430	1.6277.5352.24	0.3114G	
76	1	540430	1.6277.5352.24	0.3114G	
77	1	540430	1.6277.5352.24	0.3114G	
78	1	540430	1.6277.5352.24	0.3114G	
79	1	540430	1.6277.5352.24	0.3114G	
80	1	540430	1.6277.5352.24	0.3114G	
81	1	540430	1.6277.5352.24	0.3114G	
82	1	540430	1.6277.5352.24	0.3114G	
83	1	540430	1.6277.5352.24	0.3114G	
84	1	540430	1.6277.5352.24	0.3114G	
85	1	540430	1.6277.5352.24	0.3114G	
86	1	540430	1.6277.5352.24	0.3114G	
87	1	540430	1.6277.5352.24	0.3114G	
88	1	540430	1.6277.5352.24	0.3114G	
89	1	540430	1.6277.5352.24	0.3114G	
90	1	540430	1.6277.5352.24	0.3114G	
91	1	540430	1.6277.5352.24	0.3114G	
92	1	540430	1.6277.5352.24	0.3114G	
93	1	540430	1.6277.5352.24	0.3114G	
94	1	540430	1.6277.5352.24	0.3114G	
95	1	540430	1.6277.5352.24	0.3114G	
96	1	540430	1.6277.5352.24	0.3114G	
97	1	540430	1.6277.5352.24	0.3114G	
98	1	540430	1.6277.5352.24	0.3114G	
99	1	540430	1.6277.5352.24	0.3114G	
100	1	540430	1.6277.5352.24	0.3114G	

Item	Qty	Part No.	Description	Material	Remarks
1	1	540430	1.6277.5352.24	0.3114G	
2	1	540430	1.6277.5352.24	0.3114G	
3	1	540430	1.6277.5352.24	0.3114G	
4	1	540430	1.6277.5352.24	0.3114G	
5	1	540430	1.6277.5352.24	0.3114G	
6	1	540430	1.6277.5352.24	0.3114G	
7	1	540430	1.6277.5352.24	0.3114G	
8	1	540430	1.6277.5352.24	0.3114G	
9	1	540430	1.6277.5352.24	0.3114G	
10	1	540430	1.6277.5352.24	0.3114G	
11	1	540430	1.6277.5352.24	0.3114G	
12	1	540430	1.6277.5352.24	0.3114G	
13	1	540430	1.6277.5352.24	0.3114G	
14	1	540430	1.6277.5352.24	0.3114G	
15	1	540430	1.6277.5352.24	0.3114G	
16	1	540430	1.6277.5352.24	0.3114G	
17	1	540430	1.6277.5352.24	0.3114G	
18	1	540430	1.6277.5352.24	0.3114G	
19	1	540430	1.6277.5352.24	0.3114G	
20	1	540430	1.6277.5352.24	0.3114G	
21	1	540430	1.6277.5352.24	0.3114G	
22	1	540430	1.6277.5352.24	0.3114G	
23	1	540430	1.6277.5352.24	0.3114G	
24	1	540430	1.6277.5352.24	0.3114G	
25	1	540430	1.6277.5352.24	0.3114G	
26	1	540430	1.6277.5352.24	0.3114G	
27	1	540430	1.6277.5352.24	0.3114G	
28	1	540430	1.6277.5352.24	0.3114G	
29	1	540430	1.6277.5352.24	0.3114G	
30	1	540430	1.6277.5352.24	0.3114G	
31	1	540430	1.6277.5352.24	0.3114G	
32	1	540430	1.6277.5352.24	0.3114G	
33	1	540430	1.6277.5352.24	0.3114G	
34	1	540430	1.6277.5352.24	0.3114G	
35	1	540430	1.6277.5352.24	0.3114G	
36	1	540430	1.6277.5352.24	0.3114G	
37	1	540430	1.6277.5352.24	0.3114G	
38	1	540430	1.6277.5352.24	0.3114G	
39	1	540430	1.6277.5352.24	0.3114G	
40	1	540430	1.6277.5352.24	0.3114G	
41	1	540430	1.6277.5352.24	0.3114G	
42	1	540430	1.6277.5352.24	0.3114G	
43	1	540430	1.6277.5352.24	0.3114G	
44	1	540430	1.6277.5352.24	0.3114G	
45	1	540430	1.6277.5352.24	0.3114G	
46	1	540430	1.6277.5352.24	0.3114G	
47	1	540430	1.6277.5352.24	0.3114G	
48	1	540430	1.6277.5352.24	0.3114G	
49	1	540430	1.6277.5352.24	0.3114G	
50	1	540430	1.6277.5352.24	0.3114G	
51	1	540430	1.6277.5352.24	0.3114G	
52	1	540430	1.6277.5352.24	0.3114G	
53	1	540430	1.6277.5352.24	0.3114G	
54	1	540430	1.6277.5352.24	0.3114G	
55	1	540430	1.6277.5352.24	0.3114G	
56	1	540430	1.6277.5352.24	0.3114G	
57	1	540430	1.6277.5352.24	0.3114G	
58	1	540430	1.6277.5352.24	0.3114G	
59	1	540430	1.6277.5352.24	0.3114G	
60	1	540430	1.6277.5352.24	0.3114G	
61	1	540430	1.6277.5352.24	0.3114G	
62	1	540430	1.6277.5352.24	0.3114G	
63	1	540430	1.6277.5352.24	0.3114G	



Bemerkungen / Remarks:
 Schweisskonstruktion OHNE Bearbeitungszugabe dargestellt.
 Alle Abmessungen zeigen Fertigmasse NACH der Bearbeitung.
 Achtung: Bearbeitungszugabe NICHT in den Abmessungen einhalten!
 Notwendige Bearbeitungszugaben sind vom Hersteller zu berücksichtigen
 Weldment design shown WITHOUT Machining Allowance.
 All Dimensions show finished dimensions AFTER Machining.
 Attention: Machining Allowance NOT included in Dimensions!
 Necessary Machining allowance shall be considered by manufacturer

Hersteller / Vendor:	M&D	Material / Material:	St 2019	Produktionsnummer / Production Number:	694487
Bestellnummer / Order Number:	98.5.KG	Material / Material:	St 2019	Produktionsnummer / Production Number:	694487
Umsatz / Revenue:	1.32	Material / Material:	St 2019	Produktionsnummer / Production Number:	694487
Umsatz / Revenue:	1.32	Material / Material:	St 2019	Produktionsnummer / Production Number:	694487

