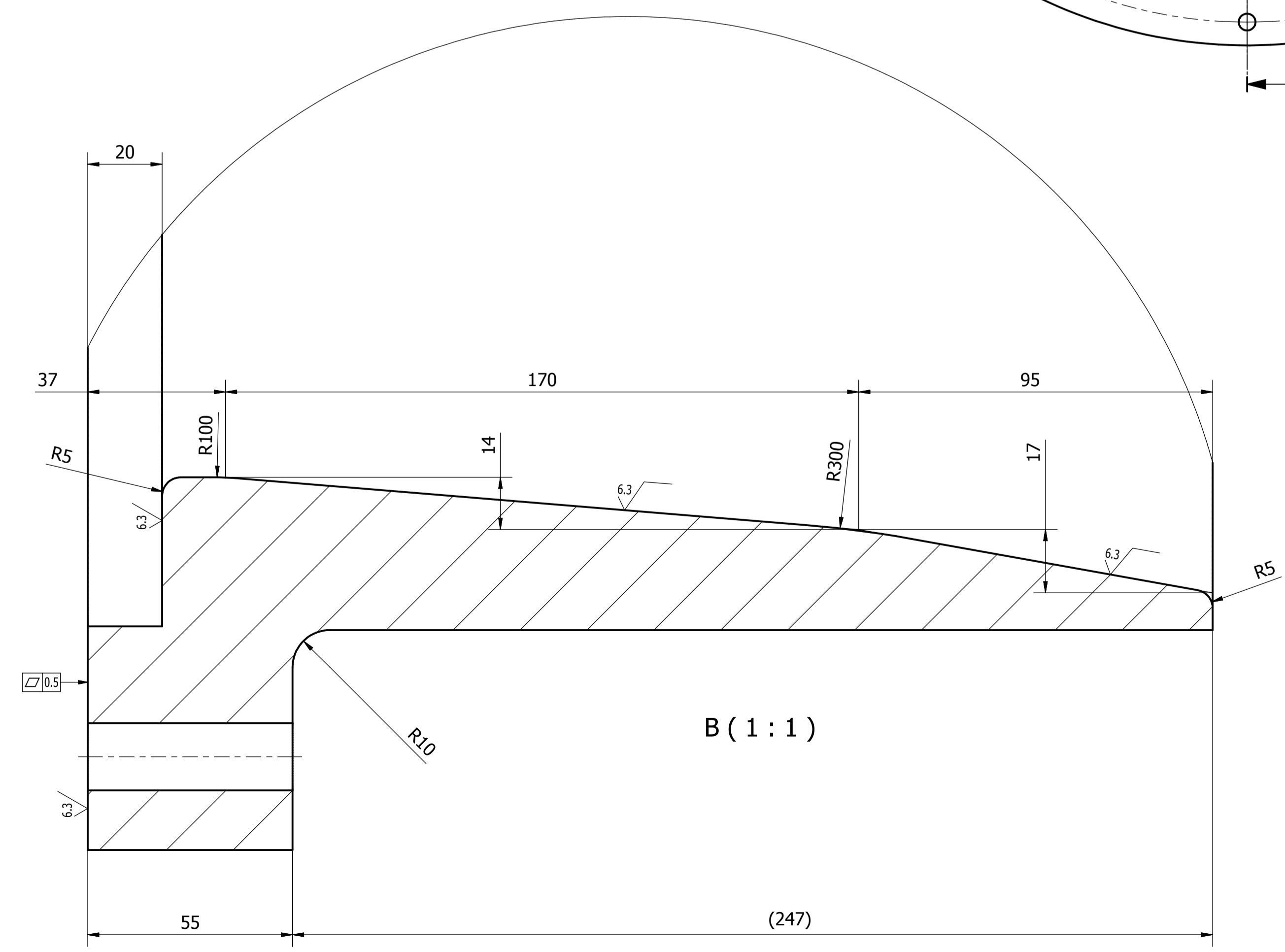


ENGRAVE HERE THE DRAWING NUMBER



NOTE :
 - GENERAL TOLERANCES : ISO 2768 mK
 - MACHINING $\sqrt{3.2} \sqrt{6.3}$
 - REMOVE ALL SHARP EDGES

BPE

- PAINT IN ACCORDANCE WITH SPECIFICATION
 - RAISED FACE TO BE GREASES (ZEP VANAL)

1	BPE	29/05/12	JB	FXD	SL
Rev.	Modification	Date	Dessiné	Vérifié	Approuvé
Rev.	Modification	Date	Drawn	Checked	Approved
Matière /	Material	Traitement /	Treatment	Masse /	Mass
	S355J2			256 kg	
ISPI-0000021B-010					
TUNNEL TRUMPET					
Ech./ Scale	A1	Plan numéro /	Drawing number	Pl./ Sheet	REV.
1/2		INDD-00000352-352		1 / 1	1